



Premium Quality
BALL BEARING UNITS
AGRICULTURAL BEARINGS



ISO9001:2015 质量认证

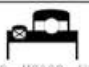


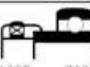


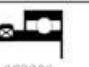





























PREMIUM QUALITY BEARINGS

	LP2
	LP2
	LP2
	LLP2
	PWC2
	PH2
	PH2
	HP2..D1
	PH2
	PH2
	PA2
	PA2
	UP2..D1
	PA2
	PA2
	PA2..A
	SHE
	SYF
	SNP
	PAS2
	PP2
	PP2
	PP2
	PP2..F
	PP2
	PP2
	GEH..BT
	P
	LPB
	PP..Z-IL
	F2
	F2..D1
	F2
	F2
	F2
	FX
	FX..D1
	FX
	FX
	MSF
F2	

			SALP2	SBLP2
			ALP2	BLP2
			ENLP2	UBLP2
				BLLP2
			FHPWC2	FHSPWC2
	UCPH2			
	UCPH2			
	UCHP2..D1			
	UCPH2			
	UCPH2			
	UCPH2			
	UCPA2			
	UCPA2			
	UCUP2..D1			
	UCPA2			
	UCPA2			
	UCPA2			
	UCPA2..A			
	RSHEY			
	SYF..TF			
	SNP			
	UCPAS2			
			SAPP2	SBPP2
			UEPP2	UBPP2
			AELPP2..W3	ASPP2
			SAPP2..F	SBPP2..F
			ENPP2	UBPP2
				BPP2
			PB	PBY
			P..FM	
			LPB..BC	LPB..A
			FHPPZ..IL	FHSPPZ..IL
	UCF2	HCF2	SAF2..G	SBF2
	UCF2..D1	UELF2..D1W3		
	UCF2			
	UCF2	UKF2+H		
	UCF2	UKF2		
	UCF2	EWF2		UBF2..JG00
	UCF2	UKF2+H		BF2
	UCF2	UKF2+H		
	UCFX		FHF2	FHSF2
	UCFX..D1			
	UCFX			
	UCFX			
	MSF			
	UCFX			

BEARINGS AND HOUSINGS MATCHING TABLE

Bearings Housings		Setscrew type		Eccentric Locking Collar type		Adapter Sleeve Locking type	Other types	
		 UC200 UC300 UCX00	 SB100	 HC200 HC300	 SA200 SA300	 UK200 UK300 UKX00	 CSA200 CSA100	 CSB200
	P200 P300 PX00 LLP200	UCP200 UCP300 UCPX00	SBP200G SBLLP200G	HCP200 HCP300	SAP200G SALLP200G	UKP200 UKP300 UKPX00		
	F200 F300 FX00 FS200	UCF200 UCF300 UCFX00 UCFS200	SBF200G	HCF200 HCF300 HCF3200	SAP200G	UKF200 UKF300 UKFX00		
	FL200 FL300 FLX00 FT200	UCFL200 UCFL300 UCFLX00 UCFT200	SBFL200G	HCFL200 HCFL300 HCFT200	SAPFL200G	UKFL200 UKFL300 UKFLX00		
	IP200 IP300	UCIP200 UCIP300				UKIP200 UKIP300		
	T200 T300 TX00	UCT200 UCT300 UCTX00		HCT200 HCT300		UKT200 UKT300 UKTX00		
	FC200 FCX00	UCFC200 UCFCX00		HCFC200		UKFC200 UKFCX00		
	FS300	UCFS300		HCFS300		UKFS300		
	PH200	UCPH200		HCPH200		UKPH200		
	PA200 PW200 PG200	UCPA200 UCPW200 UCPG200		HCPA200		UKPA200		
	HA200	UCHA200		HCHA200		UKHA200		
	FB200	UCFB200		HCFB200		UKFB200		
	FA200	UCFA200		HCFA200		UKFA200		
	C200 C300 CX00	UCC200 UCC300 UCCX00		HCC200		UKC200 UKC300 UKCX00		
	LF200		SBLF200G		SALF200G			
	FD200		SBFD200G		SAPFD200G			
	PFTD200		SBPFD200G		SAPFD200G			
	FCT200		SBFCT200G		SAPFCT200G			
	PP200		SBPP200		SAPP200			
	PF200		SBPF200		SAPPF200			
	PFL200		SBPFL200		SAPFL200			
	PFT200		SBPFT200		SAPFT200			

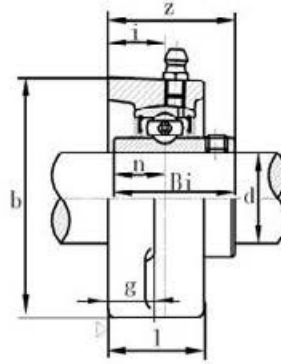
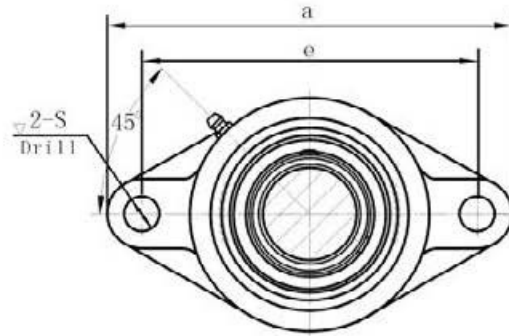


PREMIUM QUALITY BEARINGS

ΕΔΡΑΝΑ ΕΝΙΣΧΥΜΕΝΑ R3 TYPE

Super Precision Flange Units(Oval)

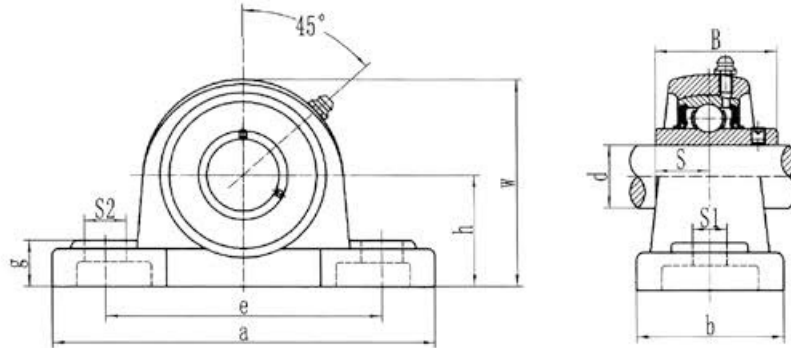
UCFL 200 (Solid Base)



Bearing Unit No.	Shaft Dia.		Dimensions (in.) or (mm)										Bolt Size		Bearing No.	Housing No	Weight (kg)
	d		a	e	i	g	l	s	b	z	Bi	n					
	(in.)	(mm)											(mm)	(in.)			
UCFL 201 201-8	1/2	12	4-7/16 113	2-35/64 90	19/32 15	15/32 12	1 25.5	15/32 12	23/8 60	15/16 33.3	1.2205 31.0	0.5000 12.7	#10	3/8	UC 201 201-8	FL 201	0.50
UCFL 202 202-10	5/8	15	4-7/16 113	2-35/64 90	19/32 15	15/32 12	1 25.5	15/32 12	23/8 60	15/16 33.3	1.2205 31.0	0.5000 12.7	#10	3/8	UC 202 202-10	FL 202	0.50
UCFL 203 203-11	11/16	17	4-7/16 113	2-35/64 90	19/32 15	15/32 12	1 25.5	15/32 12	23/8 60	15/16 33.3	1.2205 31.0	0.5000 12.7	#10	3/8	UC 203 203-11	FL 203	0.50
UCFL 204-12 204	3/4	20	4-7/16 113	2-35/64 90	19/32 15	15/32 12	1 25.5	15/32 12	23/8 60	15/16 33.3	1.2205 31.0	0.5000 12.7	#10	3/8	UC 204-12 204	FL 204	0.50
UCFL 205-14 205-15 205 205-16	7/8 15/16 1 1	25	5-1/8 130	3-57/64 99	5/8 16	33/64 13	11/16 27	5/8 16	211/16 68	113/32 35.8	1.3425 34.1	0.5630 14.3	#14	1/2	UC 205-14 205-15 205 205-16	FL 205	0.60
UCFL 206-18 206 206-19 206-20	1-1/8 13/16 1-1/4	30	5-13/16 148	4-39/64 117	45/64 18	9/16 14	17/32 31	5/8 16	35/32 80	119/32 40.2	1.5000 38.1	0.6260 15.9	#14	1/2	UC 206-18 206 206-19 206-20	FL 206	1.00
UCFL 207-20 207-21 207-22 207 207-23	1-1/4 1-5/16 1-3/8 1-7/16	35	6-11/32 161	5-1/8 130	3/4 19	19/32 15	111/32 34	5/8 16	317/32 90	13/4 44.4	1.6890 42.9	0.6890 17.5	#14	1/2	UC 207-20 207-21 207-22 207 207-23	FL 207	1.20
UCFL 208-24 208-25 208	1-1/2 1-9/16	40	6-7/8 175	5-43/64 144	53/64 21	5/8 16	113/32 36	5/8 16	315/16 100	21/64 51.2	1.9370 49.2	0.7480 19.0	#14	1/2	UC 208-24 208-25 208	FL 208	1.60
UCFL 209-26 209-27 209-28 209	1-5/8 1-11/16 1-3/4	45	7-13/32 188	5-53/64 148	55/64 22	5/8 16	11/2 38	3/4 19	41/4 108	21/16 52.2	1.9370 49.2	0.7480 19.0	#16	5/8	UC 209-26 209-27 209-28 209	FL 209	1.90
UCFL 210-30 210-31 210 210-32	1-7/8 1-15/16 2	50	7-3/4 197	6-3/16 157	55/64 22	23/32 18	19/16 40	3/4 19	417/32 115	25/32 54.6	2.0315 51.6	0.7480 19.0	#16	5/8	UC 210-30 210-31 210 210-32	FL 210	2.20
UCFL 211-32 211-34 211 211-35	2 2-1/8 2-3/16	55	8-13/16 224	7-1/4 184	63/64 25	23/32 18	111/16 43	3/4 19	51/8 130	219/64 58.4	2.1890 55.6	0.8740 22.2	#16	5/8	UC 211-32 211-34 211 211-35	FL 211	3.30
UCFL 212-36 212 212-38 212-39	2-1/4 2-3/8 2-7/16	60	9-27/32 250	7-61/64 202	19/64 29	23/32 18	17/8 48	29/32 23	51/2 140	245/64 68.7	2.5630 65.1	1.0000 25.4	#20	3/4	UC 212-36 212 212-38 212-39	FL 212	4.20



Stainless Steel Pillow Block Series



Bearing Unit No.	Bore Dia		Dimensions (mm)										Bearing No.	Housing No.	Weight (kg)
	d		h	a	e	b	S ₁	S ₂	g	W	S	B			
	in	mm													
SUCP201 SUCP201-8 SUCP202 SUCP202-10 SUCP203 SUCP203-11	1/2 5/8 11/16	12 15 17	33.3	127	96	36	13	19	13	60	12.7	31	SUC201 SUC201-8 SUC202 SUC202-10 SUC203 SUC203-11	SP203	0.75
SUCP204 SUCP204-12	3/4	20	33.3	126	95	37	13	19	14	64	12.7	31	SUC204 SUC204-12	SP204	0.73
SUCP205 SUCP205-14 SUCP205-15 SUCP205-16	7/8 15/16 1	25	36.5	139	105	38	13	19	15	69	14.3	34.1	SUC205 SUC205-14 SUC205-15 SUC205-16	SP205	0.91
SUCP206 SUCP206-17 SUCP206-18 SUCP206-19 SUCP206-20	1-1/16 1-1/8 1-3/16 1-1/4	30	42.9	163	121	48	17	20	17	81	15.9	38.1	SUC206 SUC206-17 SUC206-18 SUC206-19 SUC206-20	SP206	1.32
SUCP207 SUCP207-20 SUCP207-21 SUCP207-22 SUCP207-23	1-1/4 1-5/16 1-3/8 1-7/16	35	47.6	167	127	48	17	22	18	91	17.5	42.9	SUC207 SUC207-20 SUC207-21 SUC207-22 SUC207-23	SP207	1.72
SUCP208 SUCP208-24 SUCP208-25	1-1/2 1-9/16	40	49.2	181	137	51	17	22	18	97	19.0	49.2	SUC208 SUC208-24 SUC208-25	SP208	2.14
SUCP209 SUCP209-26 SUCP209-27 SUCP209-28	1-5/8 1-11/16 1-3/4	45	54.0	185	146	51	17	22	20	104	19.0	49.2	SUC209 SUC209-26 SUC209-27 SUC209-28	SP209	2.45
SUCP210 SUCP210-29 SUCP210-30 SUCP210-31 SUCP210-32	1-13/16 1-7/8 1-15/16 2	50	57.2	201	159	58	20	24	22	111	19.0	51.6	SUC210 SUC210-29 SUC210-30 SUC210-31 SUC210-32	SP210	3.10
SUCP211 SUCP211-32 SUCP211-33 SUCP211-34 SUCP211-35	2 2-1/16 2-1/8 2-3/16	55	63.5	219	171	60	20	25	23	126	22.2	55.6	SUC211 SUC211-32 SUC211-33 SUC211-34 SUC211-35	SP211	3.85
SUCP212 SUCP212-36 SUCP212-37 SUCP212-38 SUCP212-39	2-1/4 2-5/16 2-3/8 2-7/16	60	69.8	241	184	70	20	25	25	137	25.4	65.1	SUC212 SUC212-36 SUC212-37 SUC212-38 SUC212-39	SP212	5.10
SUCP213 SUCP213-40 SUCP213-41	2-1/2 2-9/16	65	76.2	265	203	70	25	30	27	150	25.4	65.1	SUC213 SUC213-40 SUC213-41	SP213	6.26
SUCP214 SUCP214-42 SUCP214-43 SUCP214-44	2-5/8 2-11/16 2-3/4	70	79.4	265	210	72	25	30	27	155	30.2	74.6	SUC214 SUC214-42 SUC214-43 SUC214-44	SP214	6.90
SUCP215 SUCP215-45 SUCP215-46 SUCP215-47 SUCP215-48	2-13/16 2-7/8 2-15/16 3	75	82.6	274	217	74	25	31	28	162	33.3	77.8	SUC215 SUC215-45 SUC215-46 SUC215-47 SUC215-48	SP215	7.62
SUCP216 SUCP216-50	3-1/8	80	88.9	292	232	78	25	31	30	172	33.3	82.6	SUC216 SUC216-50	SP216	9.03
SUCP217 SUCP217-52	3-1/4	85	95.2	309	247	83	25	31	32	186	34.1	85.7	SUC217 SUC217-52	SP217	11.28
SUCP218 SUCP218-56	3-1/2	90	101.6	326	262	88	27	36	33	198	39.7	96	SUC218 SUC218-56	SP218	13.45

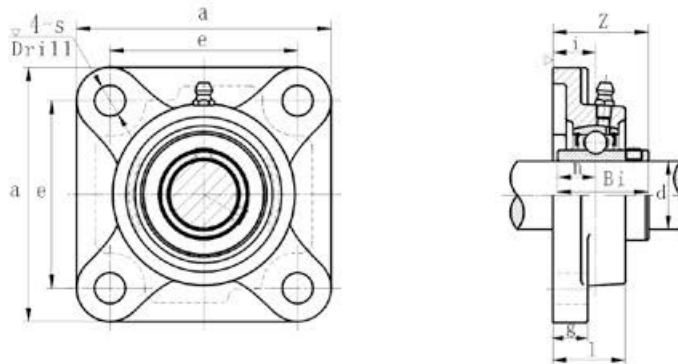
Note: the bolt size is the same as UCP200 series.



PREMIUM QUALITY BEARINGS

ΕΔΡΑΝΑ ΕΝΙΣΧΥΜΕΝΑ R3 TYPE

Flange Units (Square)

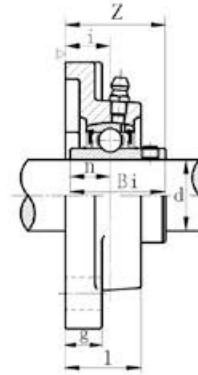
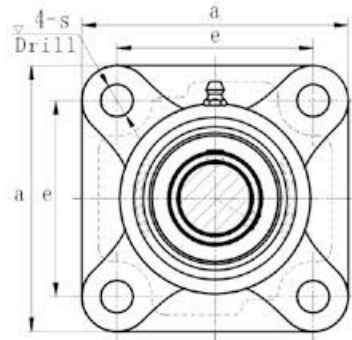


Bearing unit No.	Shaft Dia.		Dimensions (in.) or (mm)									Bolt Size		bearing No.	Housing No.	Weight (kg)
	d (in.)	d (mm)	a	e	i	g	l	s	z	Bi	ti	(mm)	(in.)			
UCF X05 X05-16	1	25	4 1/4 108	3 17/64 83	45/64 18	1/2 13	1 3/16 30	1 19/32 12	1 19/32 40.2	1.5000 38.1	0.6260 15.9	M10	3/8	UC X05 X05-16	F X05	1.1
UCF X06 X06-19 X06-20	1 3/16 1 1/4	30	4 19/32 117	3 5/8 92	3/4 19	9/16 14	1 11/32 34	5/8 16	1 3/4 44.4	1.6890 42.9	0.6890 17.5	M14	1/2	UC X06 X06-19 X06-20	F X06	1.4
UCF X07-20 X07-22 X07 X07-23	1 1/4 1 3/8 1 7/16	35	5 1/8 130	4 1/64 102	53/64 21	9/16 14	1 1/2 38	5/8 16	2 1/2 51.2	1.9370 49.2	0.7480 19.0	M14	1/2	UC X07-20 X07-22 X07 X07-23	F X07	1.9
UCF X08-24 X08	1 1/2	40	5 13/32 137	4 7/64 105	65/64 22	9/16 14	1 9/16 40	3/4 19	2 1/2 52.2	1.9370 49.2	0.7480 19.0	M16	5/8	UC X08-24 X08	F X08	2.1
UCF X09-26 X09-27 X09-28 X09	1 5/8 1 11/16 1 3/4	45	5 5/8 143	4 3/8 111	29/32 23	9/16 14	1 9/16 40	3/4 19	2 3/8 55.6	2.0315 51.6	0.7480 19.0	M16	5/8	UC X09-26 X09-27 X09-28 X09	F X09	2.5
UCF X10-30 X10-31 X10 X10-32	1 7/8 1 15/16 2	50	6 3/8 162	5 1/8 130	1 1/2 26	25/32 20	1 23/32 44	3/4 19	2 11/2 59.4	2.1890 55.6	0.8740 22.2	M16	5/8	UC X10-30 X10-31 X10 X10-32	F X10	3.6
UCF X11 X11-34 X11-35 X11-36	2 3/8 2 7/16 2 1/4	55	6 7/8 175	5 5/8 143	1 3/4 29	25/32 20	1 15/16 49	3/4 19	2 3/2 68.7	2.5630 65.1	1.0000 25.4	M16	5/8	UC X11 X11-34 X11-35 X11-36	F X11	4.7
UCF X12-36 X12 X12-38 X12-39	2 3/4 2 3/8 2 1/2	60	7 3/8 187	5 55/64 149	1 11/32 34	13/16 21	2 5/16 59	3/4 19	2 29/32 73.7	2.5630 65.1	1.0000 25.4	M16	5/8	UC X12-36 X12 X12-38 X12-39	F X12	5.5
UCF X13-40 X13	2 1/2	65	7 3/8 187	5 55/64 149	1 11/32 34	13/16 21	2 5/16 59	3/4 19	3 3/32 78.4	2.9370 74.6	1.1890 30.2	M16	5/8	UC X13-40 X13	F X13	5.9
UCF X14-44 X14	2 3/4	70	7 3/4 197	5 63/64 152	1 29/64 37	15/16 24	2 3/8 60	29/32 23	3 7/32 81.5	3.0630 77.8	1.3110 33.3	M20	3/4	UC X14-44 X14	F X14	7.3
UCF X15 X15-47 X15-48	2 15/16 3	75	7 3/4 197	5 63/64 152	1 37/64 40	15/16 24	2 11/16 68	29/32 23	3 17/32 89.3	3.2520 82.6	1.3110 33.3	M20	3/4	UC X15 X15-47 X15-48	F X15	8.0
UCF X16 X16-50	3 1/8	80	8 1/8 214	6 41/64 171	1 37/64 40	15/16 24	2 3/4 70	29/32 23	3 19/32 91.6	3.3740 85.7	1.3425 34.1	M20	3/4	UC X16 X16-50	F X16	9.8
UCF X17 X17-52	3 1/4	85	8 7/16 214	6 41/64 171	1 37/64 40	15/16 24	2 3/4 70	29/32 23	3 25/32 96.3	3.7795 96.0	1.5630 39.7	M20	3/4	UC X17 X17-52	F X17	10.5
UCF X18-56 X18	3 1/2	90	8 7/16 214	6 41/64 171	1 47/64 45	15/16 24	3 76	29/32 23	4 1/8 106.1	4.0945 104.0	1.6890 42.9	M20	3/4	UC X18-56 X18	F X18	11.2
UCF X20 X20-64	4	100	10 9/16 268	8 9/16 211	2 21/64 59	1 7/32 31	3 31/64 97	1 7/32 31	5 3/8 127.3	4.6260 117.5	1.9370 49.2	M27	1	UC X20 X20-64	F X20	18.1



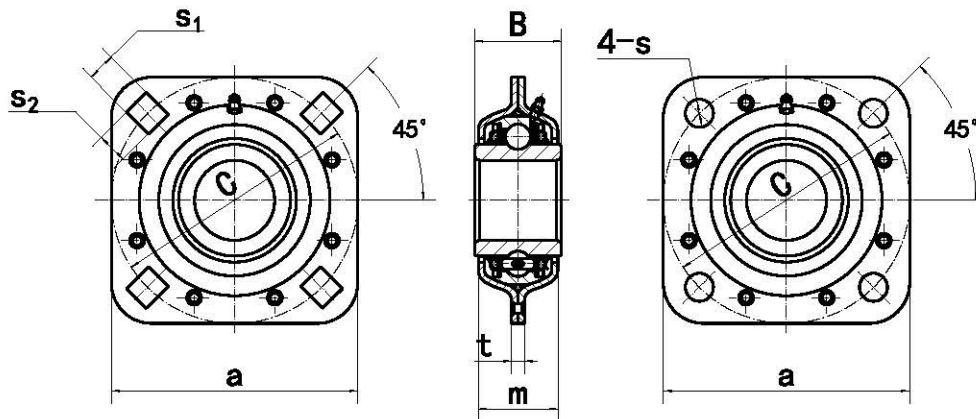
Flange Units (Square)

UCF 300 (heavy-duty)



Bearing unit No.	Shaft Dia.		Dimensions (in.) or (mm)										Bolt Size		Bearing No.	Housing No.	Weight (kg)
	d (in.)	d (mm)	a	e	i	g	l	s	z	Bi	n	(mm)	(in.)				
UCF 305 305-16	1	25	4 ¹¹ / ₃₂ 110	3 ⁵ / ₃₂ 80	1/8 16	1/2 13	1 ⁵ / ₃₂ 29	3/8 16	1 ¹⁷ / ₃₂ 39	1.4961 38	0.5906 15	M14	1/2	UC 305 305-16	F 305	1.2	
UCF 306-18 306 306-19	1 ¹ / ₈ 1 ¹ / ₁₆	30	4 ²⁹ / ₃₂ 125	3 ⁴⁷ / ₆₄ 95	5/64 18	19/32 15	1 ¹ / ₄ 32	3/8 16	1 ²³ / ₃₂ 44	1.6929 43	0.6693 17	M14	1/2	UC 306-18 306 306-19	F 306	1.8	
UCF 307-20 307-22 307 307-23	1 ¹ / ₈ 1 ¹ / ₈ 1 ¹ / ₁₆	35	5 ³ / ₁₆ 135	3 ¹⁵ / ₁₆ 100	2 ⁹ / ₃₂ 20	1/8 16	1 ¹³ / ₃₂ 36	1/4 19	1 ¹⁵ / ₁₆ 49	1.8897 48	0.7480 19	M16	3/8	UC 307-20 307-22 307 307-23	F 307	2.2	
UCF 308-24 308	1 ¹ / ₂	40	5 ²⁹ / ₃₂ 150	4 ¹³ / ₃₂ 112	2 ⁹ / ₃₂ 23	2 ¹ / ₃₂ 17	1 ⁹ / ₁₆ 40	1/4 19	2 ⁷ / ₃₂ 56	2.0472 52	0.7480 19	M16	3/8	UC 308-24 308	F 308	3.0	
UCF 309-28 309	1 ³ / ₄	45	6 ³ / ₁₆ 160	4 ⁵⁹ / ₆₄ 125	6 ³ / ₆₄ 25	2 ⁹ / ₃₂ 18	1 ²³ / ₃₂ 44	1/4 19	2 ³ / ₈ 60	2.2441 57	0.8661 22	M16	3/8	UC 309-28 309	F 309	3.8	
UCF 310-31 310 310-32	1 ⁵ / ₁₆ 2	50	6 ⁷ / ₈ 175	5 ¹³ / ₆₄ 132	1 ¹ / ₆₄ 28	1/4 19	1 ⁹ / ₈ 48	2 ⁹ / ₃₂ 23	1 ⁵ / ₈ 67	2.4015 61	0.8661 22	M20	1/4	UC 310-31 310 310-32	F 310	4.9	
UCF 311-32 311	2	55	7 ³ / ₃₂ 185	5 ³³ / ₆₄ 140	1 ¹ / ₁₆ 30	2 ⁹ / ₃₂ 20	2 ¹ / ₁₆ 52	2 ⁹ / ₃₂ 23	2 ²⁵ / ₃₂ 71	2.5984 66	0.9842 25	M20	1/4	UC 311-32 311	F 311	5.6	
UCF 312 312-36	2 ¹ / ₄	60	7 ¹ / ₁₆ 195	5 ²⁹ / ₃₂ 150	1 ¹³ / ₆₄ 33	1/8 22	2 ³ / ₃₂ 56	2 ⁹ / ₃₂ 23	3 ¹ / ₁₆ 78	2.7953 71	1.0236 26	M20	1/4	UC 312 312-36	F 312	6.8	
UCF 313-40 313	2 ¹ / ₂	65	8 ³ / ₁₆ 208	6 ¹⁷ / ₃₂ 166	1 ¹⁹ / ₆₄ 33	1/8 22	2 ⁹ / ₃₂ 58	2 ⁹ / ₃₂ 23	3 ¹ / ₁₆ 78	2.9528 75	1.1881 30	M20	1/4	UC 313-40 313	F 313	7.8	
UCF 314-44 314	2 ³ / ₄	70	8 ²⁹ / ₃₂ 226	7 ¹ / ₆₄ 178	1 ² / ₆₄ 36	1 26	2 ¹³ / ₃₂ 61	5/64 25	3 ³ / ₁₆ 81	3.0709 78	1.2992 33	M22	1/8	UC 314-44 314	F 314	9.8	
UCF 315 315-47 315-48	2 ¹⁵ / ₃₂ 2 ¹⁵ / ₃₂	75	9 ⁹ / ₃₂ 236	7 ¹ / ₄ 184	1 ¹ / ₃₂ 39	1 25	2 ¹⁹ / ₃₂ 66	6/64 25	3 ¹ / ₂ 89	3.2283 82	1.2598 32	M22	1/8	UC 315 315-47 315-48	F 315	11.6	
UCF 316 316-50	3 ¹ / ₈	80	9 ²⁷ / ₃₂ 250	7 ²³ / ₃₂ 196	1 ¹ / ₂ 38	1 ¹ / ₁₆ 27	2 ¹ / ₁₆ 68	1 ¹ / ₃₂ 31	3 ¹⁷ / ₃₂ 90	3.3858 86	1.3386 34	M27	1	UC 316 316-50	F 316	13.2	
UCF 317		85	10 ¹ / ₄ 260	8 ¹³ / ₃₂ 204	1 ¹ / ₆₄ 44	1 ¹ / ₁₆ 27	2 ²⁹ / ₃₂ 74	1 ¹ / ₃₂ 31	3 ¹⁹ / ₁₆ 100	3.7795 96	1.5748 40	M27	1	UC 317	F 317	15.2	
UCF 318-56 318	3 ¹ / ₂	90	11 ¹ / ₃₂ 280	8 ⁷ / ₂ 216	1 ¹ / ₆₄ 44	1 ¹ / ₁₆ 30	3 76	1 ¹ / ₈ 35	3 ¹⁹ / ₁₆ 100	3.7795 96	1.5748 40	M30	1 ¹ / ₈	UC 318-56 318	F 318	18.8	
UCF 319		95	11 ¹³ / ₃₂ 290	8 ³³ / ₃₂ 228	2 ⁷ / ₆₄ 59	1 ¹ / ₁₆ 30	3 ¹⁷ / ₁₆ 94	1 ¹ / ₃₂ 35	4 ¹ / ₄ 121	4.0551 103	1.6142 41	M30	1 ¹ / ₈	UC 319	F 319	21.1	
UCF 320 320-64	4	100	12 ⁷ / ₃₂ 310	9 ¹⁷ / ₃₂ 242	2 ¹ / ₆₄ 59	1 ¹ / ₄ 32	3 ¹ / ₁₆ 94	1 ¹ / ₂ 38	4 ²⁹ / ₃₂ 125	4.2519 108	1.6535 42	M33	1 ¹ / ₄	UC 320 320-64	F 320	25.3	
UCF 322		110	13 ³ / ₈ 340	10 ¹³ / ₃₂ 266	2 ⁷ / ₆₄ 60	1 ¹ / ₈ 35	3 ²⁹ / ₃₂ 96	1 ¹ / ₆₄ 41	5 ³ / ₃₂ 131	4.6063 117	1.8110 46	M36	1 ³ / ₈	UC 322	F 322	35.0	
UCF 324		120	14 ⁹ / ₁₆ 370	11 ²⁷ / ₆₄ 290	2 ³ / ₁₆ 65	1 ¹ / ₈ 40	4 ¹ / ₁₀ 110	1 ³⁵ / ₆₄ 41	5 ⁷ / ₂ 140	4.9806 126	2.0079 51	M36	1 ³ / ₈	UC 324	F 324	47.2	
UCF 326		130	16 ⁵ / ₈ 410	12 ¹¹ / ₃₂ 320	2 ¹ / ₁₆ 65	1 ²⁵ / ₃₂ 45	4 ¹ / ₂ 115	1 ¹ / ₆₄ 41	5 ³ / ₂ 146	5.3150 135	2.1260 54	M36	1 ³ / ₈	UC 326	F 326	64.1	
UCF 328		140	17 ²³ / ₃₂ 450	13 ²⁷ / ₃₂ 350	2 ⁹ / ₆₄ 75	2 ⁵ / ₃₂ 56	5 ¹⁹ / ₃₂ 125	1 ⁷ / ₆₄ 41	6 ¹ / ₃₂ 161	5.7086 145	2.3228 59	M36	1 ³ / ₈	UC 328	F 328	90.2	

Disc harrow assembly

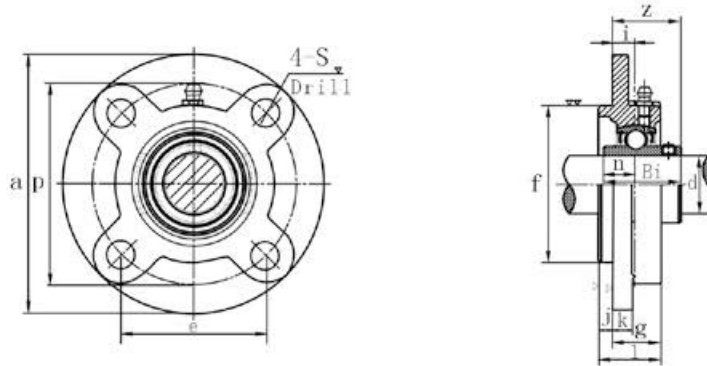


Bearing Unit No.	Dimensions (mm / in.)											Dynamic load ratings (N)	Static load ratings (N)
	d	d ₁	H	a	B	m	t	C	s	S ₁	S ₂		
ST209-1-1/8	...	32.0	29.972	127.0	42.8	42	6	127.0	13.5	13.5	17.45	32700	20900
ST209-30S	...	34.5	31.353	127.0	42.8	42	6	127.0	13.5	13.5	17.45	32700	20900
ST209-1-1/4	...	34.5	32.766	127.0	42.8	42	6	127.0	13.5	13.5	17.45	32700	20900
ST491B	38.860	127.0	42.8	42	6	127.0	13.5	13.5	17.45	32700	20900
ST209-40R	40.878	127.0	42.8	42	6	127.0	13.5	13.5	17.45	32700	20900
ST491A	45.000	127.0	42.8	42	6	127.0	13.5	13.5	17.45	32700	20900
ST209-45R	45.340	127.0	42.8	42	6	127.0	13.5	13.5	17.45	32700	20900
ST491AD	45.000	121.0	46.0	42	6	121.0	13.5	32700	20900
ST211-1-1/2	...	42.0	38.890	139.7	50.8	46	8	139.7	13.5	13.5	17.45	43300	29200
ST211-40S	...	43.1	40.878	139.7	50.8	46	8	139.7	13.5	13.5	17.45	43300	29200
ST211-50R	50.400	139.7	50.8	46	8	139.7	13.5	13.5	17.45	43300	29200
ST211-55R	55.575	139.7	50.8	46	8	139.7	13.5	13.5	17.45	43300	29200
ST211-1-3/4	45.212	139.7	55.6	46	8	139.7	13.5	13.5	17.45	43300	29200
ST211-2-3/16	55.575	139.7	55.6	46	8	139.7	13.5	13.5	17.45	43300	29200
ST211-1-15/16	49.238	139.7	69.9	46	8	139.7	13.5	13.5	17.45	43300	29200
ST211	55.000	139.7	55.6	46	8	139.7	13.5	13.5	17.45	43300	29200
ST740	55.562	139.7	55.6	45	7	139.7	13.5	13.5	17.45	43300	29200

ΕΝΙΣΧΥΜΕΝΑ ΕΔΡΑΝΑ AGRI ΜΕ ΤΡΙΠΛΗ ΜΕ ΤΡΙΠΛΗ ΤΣΙΜΟΥΧΑ R3 TYPE

Flange Cartridge Units

UCFC 200 (normal-duty)



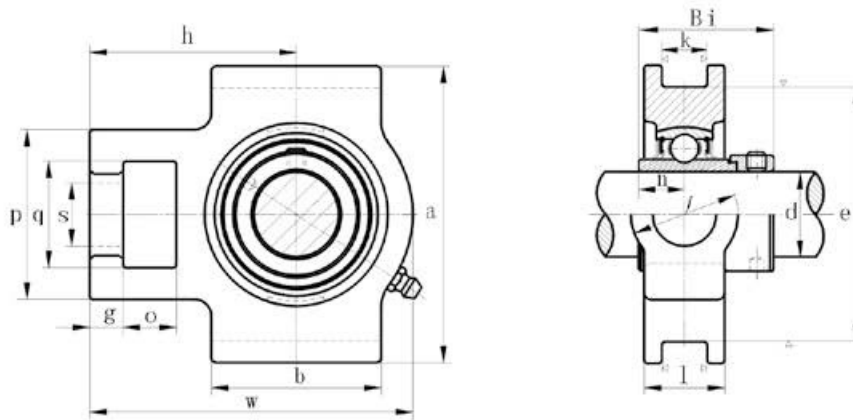
Bearing unit No.	Shaft Dia.		Dimensions (in.) or (mm)													Bolt Size		Bearing No.	Housing No.	Weight (kg)
	d		a	p	e	i	l	s	j	k	g	f	z	Bi	ti	(mm)	(in.)			
	(in.)	(mm)																		
UCFC 201 201-8	1/2	12	3 15/16 100	3 5/64 78	2 1/64 55.1	25/64 10	1 25.5	15/32 12	13/64 5	9/32 7	13/16 20.5	2.4409 62	1 1/8 28.3	1.2205 31.0	0.5000 12.7	M10	3/8	UC 201 201-8	FC 201	0.78
UCFC 202 202-10	5/8	15	3 15/16 100	3 5/64 78	2 1/64 55.1	25/64 10	1 25.5	15/32 12	13/64 5	9/32 7	13/16 20.5	2.4409 62	1 1/8 28.3	1.2205 31.0	0.5000 12.7	M10	3/8	UC 202 202-10	FC 202	0.78
UCFC 203 203-11	1 1/16	17	3 15/16 100	3 5/64 78	2 1/64 55.1	25/64 10	1 25.5	15/32 12	13/64 5	9/32 7	13/16 20.5	2.4409 62	1 1/8 28.3	1.2205 31.0	0.5000 12.7	M10	3/8	UC 203 203-11	FC 203	0.78
UCFC 204-12 204	3/4	20	3 15/16 100	3 5/64 78	2 1/64 55.1	25/64 10	1 25.5	15/32 12	13/64 5	9/32 7	13/16 20.5	2.4409 62	1 1/8 28.3	1.2205 31.0	0.5000 12.7	M10	3/8	UC 204-12 204	FC 204	0.78
UCFC 205-14 205-15 205 205-16	7/8 1 1/16 1	25	4 17/32 115	3 35/64 90	2 1/2 63.6	25/64 10	1 1/16 27	15/32 12	15/64 6	9/32 7	93/64 21	2.7559 70	1 1/64 29.8	1.3425 34.1	0.5630 14.3	M10	3/8	UC 205-14 205-15 205 205-16	FC 205	0.95
UCFC 206-18 206 206-19 206-20	1 1/8 1 1/16 1 1/4	30	4 29/32 125	3 15/16 100	2 25/32 70.7	25/64 10	1 7/32 31	15/32 12	5/16 8	5/16 8	29/32 23	3.1496 80	1 9/32 32.2	1.5000 38.1	0.6260 15.9	M10	3/8	UC 206-18 206 206-19 206-20	FC 206	1.4
UCFC 207-20 207-21 207-22 207 207-23	1 1/8 1 1/16 1 3/8 1 7/16	35	5 5/16 135	4 21/64 110	3 1/16 77.8	7/16 11	1 11/32 34	15/32 14	5/16 8	11/32 9	1 1/32 26	3.5433 90	1 7/16 36.4	1.6890 42.9	0.6890 17.5	M12	7/16	UC 207-20 207-21 207-22 207 207-23	FC 207	1.7
UCFC 208-24 208-25 208	1 1/2 1 1/16	40	5 29/32 145	4 23/32 120	3 11/32 84.8	7/16 11	1 27/64 36	15/32 14	25/64 10	11/32 9	1 1/32 26	3.9370 100	1 5/8 41.2	1.9370 49.2	0.7480 19.0	M12	7/16	UC 208-24 208-25 208	FC 208	2.0
UCFC 209-26 209-27 209-28 209	1 5/8 1 1/16 1 3/4	45	6 5/16 160	5 13/64 132	3 43/64 93.3	25/64 10	1 1/2 38	5/8 16	15/32 12	9/16 14	1 1/32 26	4.1339 105	1 19/32 40.2	1.9370 49.2	0.7480 19.0	M14	1/2	UC 209-26 209-27 209-28 209	FC 209	2.8
UCFC 210-30 210-31 210	1 7/8 1 1/2	50	6 1/2 165	5 7/16 138	3 27/32 97.6	25/64 10	1 9/16 40	5/8 16	15/32 12	9/16 14	1 3/32 28	4.3307 110	1 11/16 42.6	2.0315 51.6	0.7480 19.0	M14	1/2	UC 210-30 210-31 210	FC 210	3.0
UCFC 211-32 211-34 211 211-35	2 2 1/8 2 3/16	55	7 3/32 185	5 29/32 150	4 11/64 106.1	33/64 13	1 1/16 43	3/4 19	15/32 12	19/32 15	1 7/32 31	4.9213 125	1 13/16 46.4	2.1890 55.6	0.8740 22.2	M16	5/8	UC 211-32 211-34 211 211-35	FC 211	4.0
UCFC 212-36 212 212-38 212-39	2 1/4 2 3/8 2 5/8	60	7 11/16 195	6 19/64 160	4 29/64 113.1	43/64 17	1 7/8 48	3/4 19	15/32 12	19/32 15	1 27/64 36	5.3150 135	2 7/32 56.7	2.5630 65.1	1.0000 25.4	M16	5/8	UC 212-36 212 212-38 212-39	FC 212	4.7
UCFC 213-40 213	2 1/2	65	8 1/16 205	6 11/16 170	4 49/64 120.2	3/8 16	1 25/32 50	7/8 19	15/32 14	19/32 15	1 27/64 36	5.7087 145	2 3/16 55.7	2.5630 65.1	1.0000 25.4	M16	5/8	UC 213-40 213	FC 213	5.4
UCFC 214-44 214	2 3/4	70	8 15/32 215	6 31/32 177	4 99/64 125.1	43/64 17	2 1/8 54	3/4 19	15/32 14	19/32 15	1 9/16 18	5.9055 150	2 13/32 61.4	2.9370 74.6	1.1890 30.2	M16	5/8	UC 214-44 214	FC 214	6.8
UCFC 215 215-48	3	75	8 23/32 220	7 1/4 184	5 1/8 130.1	45/64 18	2 1/2 56	3/4 19	15/32 16	19/32 15	1 9/16 40	6.2992 160	2 15/32 62.5	3.0630 77.8	1.3110 33.3	M16	5/8	UC 215 215-48	FC 215	7.3
UCFC 216		80	9 1/16 240	7 1/8 200	5 1/16 141.4	49/64 18	2 25/32 58	3/4 23	15/32 16	19/32 18	1 25/32 42	6.6929 170	2 23/32 67.3	3.2520 82.6	1.3110 33.3	M20	3/4	UC 216	FC 216	8.9
UCFC 217-52 217	3 1/4	85	9 29/32 250	8 3/16 208	5 5/64 147.1	45/64 18	2 15/32 63	3/4 23	15/32 18	19/32 20	1 29/32 45	7.0866 180	2 3/4 69.6	3.3740 85.7	1.3425 34.1	M20	3/4	UC 217-52 217	FC 217	10.4
UCFC 218-56 218	3 1/2	90	10 7/16 265	8 21/32 220	6 1/8 155.5	55/64 22	2 11/16 68	3/4 23	15/32 18	19/32 20	1 31/32 50	7.4803 190	3 3/32 78.3	3.7795 96.0	1.5630 39.7	M20	3/4	UC 218-56 218	FC 218	13.0



ΡΟΥΛΕΜΑΝ ΤΡΙΠΛΗΣ ΤΣΙΜΟΥΧΑΣ (R3) TYPE

Take-up Units

HCT 200 (narrow metric slot)

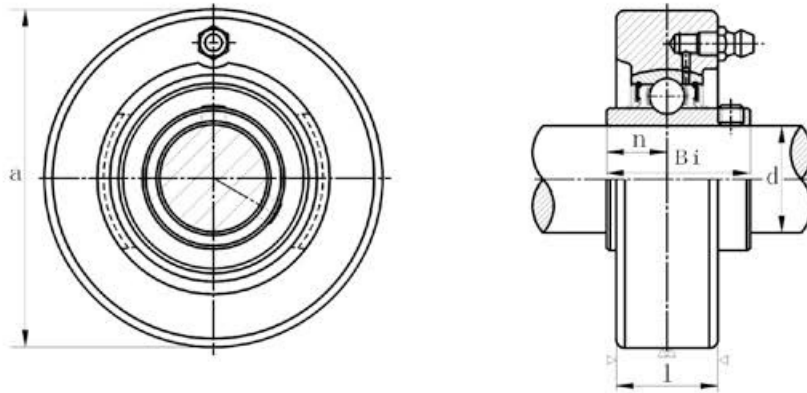


Bearing unit No.	Shaft Dia.		Dimensions (mm)														Bearing No.	Housing No.	Weight (kg)	
	d (in.)	d (mm)	o	g	p	q	s	b	k	e	a	w	j	l	h	Bi				n
HCT 201 201-8	1/2	12	16	10	51	32	19	51	12	76	89	94	32	21	61	37.3	13.9	HC 201 201-8	T 201	0.87
HCT 202 202-10	5/8	15	16	10	51	32	19	51	12	76	89	94	32	21	61	37.3	13.9	HC 202 202-10	T 202	0.87
HCT 203 203-11	11/16	17	16	10	51	32	19	51	12	76	89	94	32	21	61	37.3	13.9	HC 203 203-11	T 203	0.87
HCT 204-12 204	3/4	20	16	10	51	32	19	51	12	76	89	94	32	21	61	43.7	17.1	HC 204-12 204	T 204	0.87
HCT 205-14 205-15 205	7/8	25	16	10	51	32	19	51	12	76	89	97	32	24	62	44.3	17.4	HC 205-14 205-15 205	T 205	0.92
HCT 205-16 205-16	1	25	16	10	51	32	19	51	12	76	89	97	32	24	62	44.3	17.4	HC 205-14 205-15 205	T 205	0.92
HCT 206-18 206 206-19 206-20	1 1/8	30	16	10	56	37	22	57	12	89	102	113	37	28	70	48.4	18.2	HC 206-18 206 206-19 206-20	T 206	1.39
HCT 207-20 207-21 207-22 207 207-23	1 1/4	35	16	13	64	37	22	64	12	89	102	129	37	30	78	51.1	18.8	HC 207-20 207-21 207-22 207 207-23	T 207	1.83
HCT 208-24 208-25 208	1 1/2	40	19	16	83	49	29	83	16	102	114	144	49	33	88	56.3	21.4	HC 208-24 208-25 208	T 208	2.64
HCT 209-26 209-27 209-28 209	1 3/8	45	19	16	83	49	29	83	16	102	117	144	49	35	87	56.3	21.4	HC 209-26 209-27 209-28 209	T 209	2.67
HCT 210-30 210-31 210 210-32	1 3/4	50	19	16	83	49	29	86	16	102	117	149	49	37	90	62.7	24.6	HC 210-30 210-31 210 210-32	T 210	2.81
HCT 211-32 211-34 211 211-35	2	55	25	19	102	64	35	95	22	130	146	171	64	38	106	71.4	27.7	HC 211-32 211-34 211 211-35	T 211	4.27
HCT 212-36 212 212-38 212-39	2 1/4	60	32	19	102	64	35	102	22	130	146	194	64	42	119	77.8	30.9	HC 212-36 212 212-38 212-39	T 212	5.26
HCT 213-40 213	2 1/2	65	32	21	111	70	41	121	26	151	167	224	70	44	137	85.7	34.1	HC 213-40 213	T 213	7.55
HCT 214 214-42 214-43	2 5/8	70	32	21	111	70	41	121	26	151	167	224	70	46	137	85.7	34.1	HCT 214 214-42 214-43	T 214	7.7
HCT 215 215-47 215-48	2 7/8	75	32	21	111	70	41	121	26	151	167	232	70	48	140	92.1	37.3	HC 215 215-47 215-48	T 215	8.13

ΡΟΥΛΕΜΑΝ ΤΡΙΠΛΗΣ ΤΣΙΜΟΥΧΑΣ (R3) ΤΥΠΕ

Cartridge Units

UCC X00

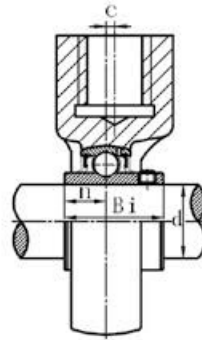
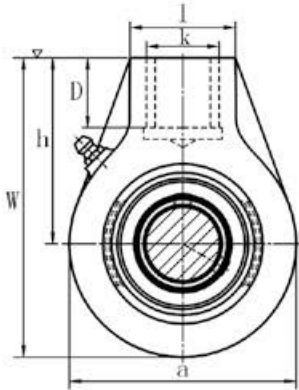


Bearing unit No.	Shaft Dia.		Dimensions (in.) or (mm)				Bearing No.	Housing No.	Weight (kg)
	d (in.)	d (mm)	a	l	Bi	n			
UCC X05-14 X05-15 X05 X05-16	$\frac{7}{8}$ $1\frac{5}{16}$ 1	25	3.5433 90	$1\frac{1}{8}$ 27	1.5000 38.1	0.6260 15.9	UC X05-14 X05-15 X05 X05-16	C X05	1.0
UCC X06-18 X06 X06-19 X06-20	$1\frac{1}{8}$ $1\frac{3}{16}$ $1\frac{1}{4}$	30	3.9370 100	$1\frac{3}{16}$ 30	1.6890 42.9	0.6890 17.5	UC X06-18 X06 X06-19 X06-20	C X06	1.3
UCC X07-20 X07-21 X07-22 X07 X07-23	$1\frac{1}{4}$ $1\frac{5}{16}$ $1\frac{3}{8}$ $1\frac{7}{16}$	35	4.3307 110	$1\frac{1}{2}$ 34	1.9370 49.2	0.7480 19.0	UC X07-20 X07-21 X07-22 X07 X07-23	C X07	1.9
UCC X08-24 X08-25 X08	$1\frac{1}{2}$ $1\frac{9}{16}$	40	4.7244 120	$1\frac{1}{2}$ 38	1.9370 49.2	0.7480 19.0	UC X08-24 X08-25 X08	C X08	2.3
UCC X09-26 X09-27 X09-28 X09	$1\frac{5}{8}$ $1\frac{11}{16}$ $1\frac{3}{4}$	45	4.7244 120	$1\frac{1}{2}$ 38	2.0315 51.6	0.7480 19.0	UC X09-26 X09-27 X09-28 X09	C X09	2.5
UCC X10-30 X10-31 X10 X10-32	$1\frac{7}{8}$ $1\frac{15}{16}$ 2	50	5.1181 130	$1\frac{37}{64}$ 40	2.1890 55.6	0.8740 22.2	UC X10-30 X10-31 X10 X10-32	C X10	2.8
UCC X11-32 X11-34 X11 X11-35	2 $2\frac{1}{8}$ $2\frac{3}{16}$	55	5.9055 150	$2\frac{1}{2}$ 42	2.5630 65.1	1.0000 25.4	UC X11-32 X11-34 X11 X11-35	C X11	4.7
UCC X12-36 X12 X12-38 X12-39	$2\frac{1}{4}$ $2\frac{3}{8}$ $2\frac{1}{2}$	60	6.2992 160	$2\frac{1}{2}$ 44	2.5630 65.1	1.0000 25.4	UC X12-36 X12 X12-38 X12-39	C X12	5.1

ΕΔΡΑΝΑ ΕΝΙΣΧΥΜΕΝΑ ΤΡΙΠΛΗΣ ΤΣΙΜΟΥΧΑΣ R3 TYPE

 Screw Conveyor
 Hanger Units

UCHA 200 (normal - duty)

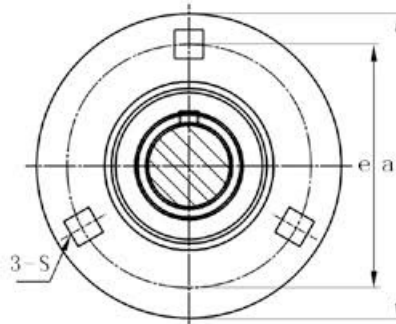
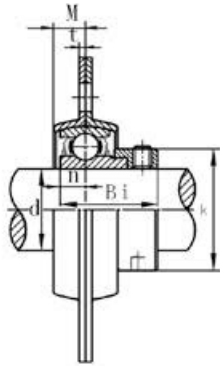


Bearing unit No.	Shaft Dia.		Dimensions (in.) or (mm)									Bearing No.	Housing No.	Weight (kg)
	d (in.)	d (mm)	a	W	c	h	l	D	k (in.)	Bi	n			
UCHA 201 201-8	1/2	12	2 17/32 64	3 25/32 96	0	2 33/64 64	1 9/16 40	3/4 19	G 3/4	1.2205 31.0	0.5000 12.7	UC 201 201-8	HA 201	0.77
UCHA 202 202-10	5/8	15	2 17/32 64	3 25/32 96	0	2 33/64 64	1 9/16 40	3/4 19	G 3/4	1.2205 31.0	0.5000 12.7	UC 202 202-10	HA 202	0.77
UCHA 203 203-11	1 1/16	17	2 17/32 64	3 25/32 96	0	2 33/64 64	1 9/16 40	3/4 19	G 3/4	1.2205 31.0	0.5000 12.7	UC 203 203-11	HA 203	0.77
UCHA 204-12 204	3/4	20	2 17/32 64	3 25/32 96	0	2 33/64 64	1 9/16 40	3/4 19	G 3/4	1.2205 31.0	0.5000 12.7	UC 204-12 204	HA 204	0.77
UCHA 205-14 205-15 205 205-16	7/8 1 5/16 1	25	3 1/16 78	4 1/16 103	0	2 39/64 64	1 9/16 40	3/4 19	G 3/4	1.3425 34.1	0.5630 14.3	UC 205-14 205-15 205 205-16	HA 205	0.87
UCHA 206-18 206 206-19 206-20	1 1/8 1 3/16 1 1/4	30	3 1/16 78	4 1/16 103	0	2 39/64 64	1 9/16 40	3/4 19	G 3/4	1.5000 38.1	0.6260 15.9	UC 206-18 206 206-19 206-20	HA 206	0.83
UCHA 207-20 207-21 207-22 207 207-23	1 1/4 1 5/16 1 3/8 1 3/16	35	3 5/8 92	4 9/16 116	0	2 3/4 70	1 9/16 40	3/4 19	G 3/4	1.6890 42.9	0.6890 17.5	UC 207-20 207-21 207-22 207 207-23	HA 207	1.2
UCHA 208-24 208-25 208	1 1/2 1 5/8	40	3 25/32 96	4 3/4 121	5/64 2	2 7/8 73	1 9/16 40	3/4 19	G 3/4	1.9370 49.2	0.7480 19.0	UC 208-24 208-25 208	HA 208	1.3
UCHA 209-26 209-27 209-28 209	1 5/8 1 13/16 1 3/4	45	4 1/4 108	5 11/32 136	13/64 5	3 15/64 82	1 7/8 48	13/16 21	G1	1.9370 49.2	0.7480 19.0	UC 209-26 209-27 209-28 209	HA 209	1.7
UCHA 210-30 210-31 210 210-32	1 7/8 1 15/16 2	50	4 21/32 118	5 19/32 142	13/64 5	3 17/64 83	1 7/8 48	13/16 21	G1	2.0315 51.6	0.7480 19.0	UC 210-30 210-31 210 210-32	HA 210	2.1
UCHA 211-32 211-34 211 211-35	2 2 1/8 2 3/16	55	4 31/32 126	5 29/32 150	9/32 7	3 27/64 87	2 3/8 60	1 25	G1 1/4	2.1890 55.6	0.8740 22.2	UC 211-32 211-34 211 211-35	HA 211	2.8
UCHA 212-36 212 212-38 212-39	2 1/4 2 3/8 2 1/16	60	5 19/32 142	6 13/16 173	23/64 9	4 1/64 102	2 3/8 60	1 3/32 28	G1 1/4	2.5630 65.1	1.0000 25.4	UC 212-36 212 212-38 212-39	HA 212	3.9
UCHA 213-40 213	2 1/2	65	6 17/32 166	7 7/8 200	3/8 9.5	4 39/64 117	2 3/4 70	1 1/4 32	G1 1/2	2.5630 65.1	1.0000 25.4	UC 213-40 213	HA 213	5.8
UCHA 214-44 214	2 3/4	70	6 17/32 166	7 7/8 200	3/8 9.5	4 39/64 117	2 3/4 70	1 1/4 32	G1 1/2	2.9370 74.6	1.1890 30.2	UC 214-44 214	HA 214	5.9
UCHA 215 215-47 215-48	2 15/16 3	75	6 17/32 166	7 7/8 200	3/8 9.5	4 39/64 117	2 3/4 70	1 1/4 32	G1 1/2	3.0630 77.8	1.3110 33.3	UC 215 215-47 215-48	HA 215	6.0

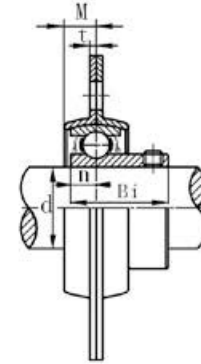
ΡΟΥΛΕΜΑΝ ΤΡΙΠΛΗΣ ΤΣΙΜΟΥΧΑΣ (R3) TYPE

Pressed Housing Flange Units (light-duty)

SAPF 200
(SA2-fitted)

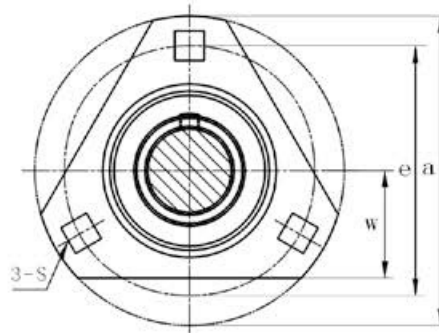
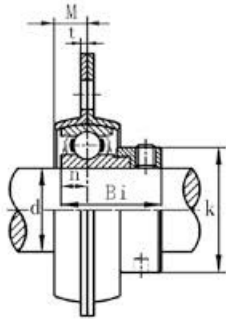
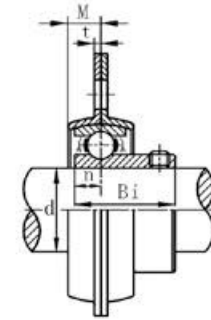


SBPF 200
(SB2-fitted)



Bearing unit No.	Shaft Dia.		Dimensions (in.) or (mm)					Belt Size (in.) or (mm)	SAPF					SBPF				Housing No.
	d (in.)	d (mm)	a	e	M	t (mm)	s		Bi	n	k	Bearing No.	Weight (kg)	Bi	n	Bearing No.	Weight (kg)	
SAPF 201 SBPF 201-8	1/2	12	3 3/16	2 1/2	5/32	2	7/32	3/4	1.1260	0.2362	1.1260	SA 201	0.30	0.8661	0.2362	SB 201	0.27	PF 201
			81	63.5	7.0		7.1	M6	28.6	6.0	28.6	201-8		22.0	6.0	201-8		
SAPF 202 SBPF 202-10	5/8	15	3 3/16	2 1/2	5/32	2	7/32	3/4	1.1260	0.2362	1.1260	SA 202	0.30	0.8661	0.2362	SB 202	0.27	PF 202
			81	63.5	7.0		7.1	M6	28.6	6.0	28.6	202-10		22.0	6.0	202-10		
SAPF 203 SBPF 203-11	1 1/16	17	3 3/16	2 1/2	5/32	2	7/32	3/4	1.1260	0.2362	1.1260	SA 203	0.30	0.8661	0.2362	SB 203	0.27	PF 203
			81	63.5	7.0		7.1	M6	28.6	6.0	28.6	203-11		22.0	6.0	203-11		
SAPF 204-12 SBPF 204	3/4	20	3 17/32	2 13/16	5/16	2	9/16	7/10	1.2205	0.2756	1.3110	SA 204-12	0.33	0.9813	0.2953	SB 204-12	0.33	PF 204
			90	71.5	8		9.0	M8	31	7.0	33.3	204		25.0	7.5	204		
SAPF 205-14 SBPF 205	7/8	25	3 3/4	2 5/8	3/8	2	9/8	7/10	1.2205	0.2953	1.5000	SA 205-14	0.42	1.0630	0.2953	SB 205-14	0.38	PF 205
			95	76	9		9.0	M8	31	7.5	38.1	205		27.0	7.5	205		
	1											205-16				205-16		
SAPF 206-18 SBPF 206	1 1/8	30	4 7/16	3 3/16	3/8	2.6	11/8	7/8	1.4055	0.3150	1.7520	SA 206-18	0.65	1.1811	0.3513	SB 206-18	0.62	PF 206
												206				206		
	1 3/16		113	90.5	9.5		11	M10	35.7	8.0	44.5	206-19		30.0	9.0	206-19		
	1 1/4											206-20				206-20		
SAPF 207-20 SBPF 207	1 3/4	35	4 13/16	3 15/16	7/16	2.6	11/8	7/8	1.4370	0.3316	2.1890	SA 207-20	0.90	1.2598	0.3740	SB 207-20	0.82	PF 207
												207-22				207-22		
	1 5/8		122	100	11		11	M10	38.9	8.5	55.6	207		32.0	9.5	207		
	1 7/8											207-23				207-23		

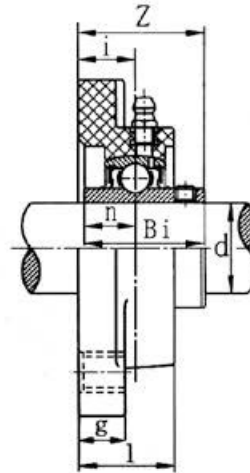
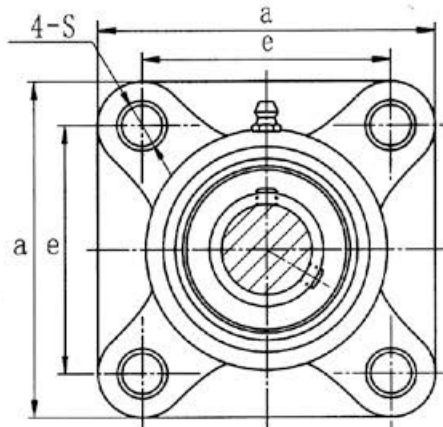
Pressed Housing Flange Units (light-duty)

SAPFT 200
(SA2-fitted)

SBPFT 200
(SB2-fitted)


Bearing unit No.	Shaft Dia.		Dimensions (in.) or (mm)						Bolt Size (in.) (mm)	SAPFT					SBPFT				Housing No.
	d		a	e	M	t	w	s		Bi	n	K	Bearing No.	Weight (kg)	Bi	n	Bearing No.	Weight (kg)	
	(in.)	(mm)																	
SAPFT 201 SBPFT 201-8	1/2	12	3 3/16	2 1/2	3/32	2	1 3/4	3/32	1/4	1.1260	0.2362	1.1260	SA 201 201-8	0.22	0.8661	0.2362	SB 201 201-8	0.19	PFT201
SAPFT 202 SBPFT 202-10	3/8	15	3 3/16	2 1/2	3/32	2	1 3/4	3/32	1/4	1.1260	0.2362	1.1260	SA 202 202-10	0.21	0.8661	0.2362	SB 202 202-10	0.18	PFT202
SAPFT 203 SBPFT 203-11	1/2	17	3 3/16	2 1/2	3/32	2	1 3/4	3/32	1/4	1.1260	0.2362	1.1260	SA 203 203-11	0.20	0.8661	0.2362	SB 203 203-11	0.17	PFT203
SAPFT 204-12 SBPFT 204	3/4	20	3 1/2	2 1/4	3/8	2	1 1/2	3/8	5/16	1.2205	0.2953	1.3110	SA 204-12 204	0.28	0.9843	0.2756	SB 204-12 204	0.24	PFT204
SAPFT 205-14 SBPFT 205-16	1	25	3 3/4	2 5/8	3/8	2	1 3/4	3/8	5/16	1.2205	0.2953	1.5000	SA 205-14 205 205-16	0.33	1.0630	0.2953	SB 205-14 205 205-16	0.29	PFT205
SAPFT 206-18 SBPFT 206-19 206-20	1 1/8	30	4 1/8	3 3/8	3/4	2.6	1 3/4	3/4	3/8	1.4055	0.3543	1.7520	SA 206-18 206 206-19 206-20	0.50	1.1811	0.3150	SB 206-18 206 206-19 206-20	0.45	PFT206
SAPFT 207-20 SBPFT 207-22 207-23	1 1/4	35	4 1/2	3 1/2	3/4	2.6	1 3/4	3/4	3/8	1.5315	0.3740	2.1890	SA 207-20 207-22 207-23	0.78	1.2598	0.3346	SB 207-20 207-22 207-23	0.61	PFT207

ΡΟΥΛΕΜΑΝ ΤΡΙΠΛΗΣ ΤΣΙΜΟΥΧΑΣ (R3) TYPE

Thermoplastic Bearing Housing UCFPL 200

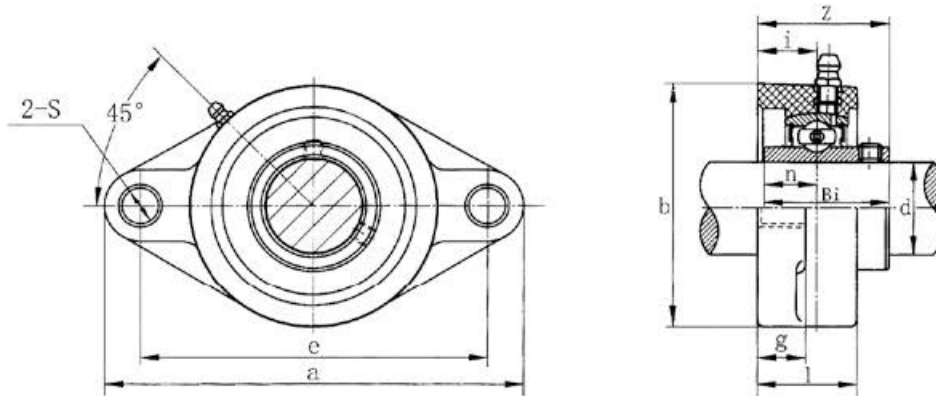


Bearing unit No.	Shaft Dia.		Dimensions (in.) or (mm)								Bolt Size		Torque (N. m)	Bearing No.	Housing No.	Housing Weight (kg)	
	d (in.)	d (mm)	a	e	g	l	S	Z	i	Bi	n	(mm)					(in.)
UCFPL 201 201-8	1/2	12															
UCFPL 202-9 202	3/8	16	3 3/4	2 1/4	1 1/2	1 1/2	1 1/2	1 3/4	1 1/4	1.2205	0.5000	M10	3/8	18	UC 202-9 202	FPL 203	0.12
UCFPL 203 202-10 203-11	1/2	17	86	63.6	18.4	27.8	11	36.3	18	31.0	12.7				UC 203 202-10 203-11		
UCFPL 204-12 204	3/8	20	3 3/4	2 1/4	1 1/2	1 1/2	1 1/2	1 3/4	1 1/4	1.2205	0.5000	M10	3/8	18	UC 204-12 204	FPL 204	0.12
UCFPL 205-14 205-15 205	1/2	25	3 3/4	2 1/4	1 1/2	1 1/2	1 1/2	1 3/4	1 1/4	1.9425	0.5630	M10	3/8	25	UC 205-14 205-15 205	FPL 206	0.15
UCFPL 206-16 206-17 206-18 206	1 1/4	30	4 3/4	3 3/4	1 3/4	1 3/4	1 1/2	1 1/2	1 1/2	1.5900	0.6280	M10	3/8	30	UC 206-17 206-18 206	FPL 208	0.18
UCFPL 207-20 207-21 207-22 207	1 1/2	36	4 3/4	3 3/4	1 3/4	1 3/4	1 1/2	1 1/2	1 1/2	1.6890	0.6680	M12	3/4	35	UC 207-20 207-21 207-22 207	FPL 207	0.26
UCFPL 208-24 208-25 208	1 1/2	40	5 1/4	4 1/4	1 3/4	1 3/4	1 1/2	1 1/2	1 1/2	1.9370	0.7480	M12	3/4	40	UC 208-24 208-25 208	FPL 208	0.33
UCFPL 209-26 209-27 209-28 209	1 3/4	45	5 3/4	4 3/4	1 3/4	1 3/4	1 1/2	1 1/2	1 1/2	1.9370	0.7480	M16	3/8	45	UC 209-26 209-27 209-28 209	FPL 209	0.42
UCFPL 210-30 210-31 210	1 3/4	50	5 3/4	4 3/4	1 3/4	1 3/4	1 1/2	1 1/2	1 1/2	2.0815	0.7480	M16	3/8	50	UC 210-30 210-31 210	FPL 210	0.51

PBT/Material:PBT
/Solid base

Thermoplastic Bearing Housing UCFLPL 200

Stainless steel grease nipples as standard (suffix N)

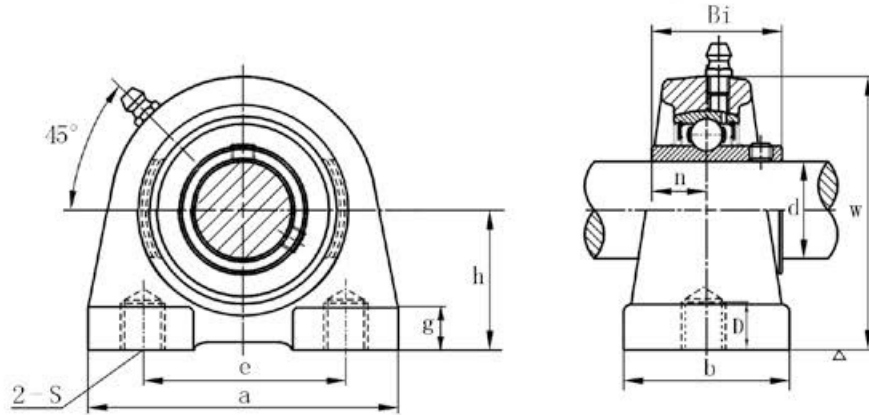


Bearing unit No.	Shaft Dia.		Dimensions (in.) or (mm)										Bolt Size		Torque (N.m)	Bearing No.	Housing No.	Housing Weight (kg)	
	d (in.)	d (mm)	a	a	b	g	l	S	Z	i	Bi	n	(mm)	(in.)					
UCFLPL 201 201-8	1/2	12															UC 201 201-8	FLPL 203	0.08
UCFLPL 202-9 202	3/8	15	4 3/16	3 3/16	2 3/8	3/8	1 3/8	3/8	1 3/4	3/8	1.2205	0.5000	M10	3/8	18	UC 202-9 202			
UCFLPL 203 203-10	1/2	17	113	90	85	11.4	28.5	11	33.7	15.4	31.0	12.7				UC 203 203-10			
UCFLPL 203-11	1/4															UC 203 203-11			
UCFLPL 204-12 204	3/4	20	4 3/8	3 3/8	2 3/8	3/8	1 3/8	3/8	1 3/4	3/8	1.2205	0.5000	M10	3/8	18	UC 204-12 204	FLPL 204		
UCFLPL 205-14 205-15 205	7/8	26	5 3/8	4 3/8	3 3/8	1 3/8	1 3/8	3/8	1 3/4	3/8	1.3425	0.5630	M10	3/8	25	UC 205-14 205-15 205	FLPL 205	0.10	
UCFLPL 206-17 206-18 206	1 1/8	30	5 7/8	4 7/8	3 7/8	1 3/8	1 3/8	3/8	1 3/4	3/8	1.5000	0.6250	M10	3/8	30	UC 206-17 206-18 206	FLPL 206	0.13	
UCFLPL 206-19 206-20	1 1/8															UC 206-19 206-20			
UCFLPL 207-20 207-21 207-22 207	1 1/4	35	6 3/8	5 3/8	4 3/8	1 3/8	1 3/8	3/8	1 3/4	3/8	1.8890	0.6890	M12	3/4	35	UC 207-20 207-21 207-22 207	FLPL 207	0.16	
UCFLPL 207-23	1 1/8															UC 207-23			
UCFLPL 208-24 208-25 208	1 1/2	40	6 3/8	5 3/8	4 3/8	1 3/8	1 3/8	3/8	2 1/8	3/8	1.9370	0.7480	M12	3/4	40	UC 208-24 208-25 208	FLPL 208	0.24	
UCFLPL 209-26 209-27 209-28 209	1 3/4	46	7 1/8	6 3/8	5 3/8	1 3/8	1 3/8	3/8	2 3/8	3/8	1.9370	0.7480	M16	3/4	45	UC 209-26 209-27 209-28 209	FLPL 209	0.32	
UCFLPL 210-30 210-31 210	1 7/8	50	7 3/4	6 3/8	5 3/8	1 3/8	1 3/8	3/8	2 3/8	3/8	2.0315	0.7480	M16	3/4	50	UC 210-30 210-31 210	FLPL 210	0.42	

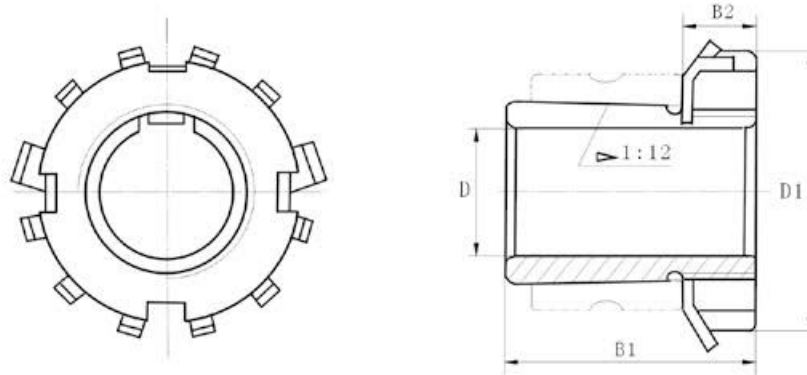


ΡΟΥΛΕΜΑΝ ΤΡΙΠΛΗΣ ΤΣΙΜΟΥΧΑΣ (R3) TYPE

Tapped-base Pillow Blocks UCPA 200 (normal-duty)



Bearing unit No.	Shaft Dia.		Dimensions (in.) or (mm)										Bolt size (mm)	Bearing No.	Housing No.	Weight (kg)
	d (in.)	d (mm)	h	a	e	b	S (mm)	g	w	D	Bi	n				
UCPA 201 201-8	1/2	12	1 3/16 30.2	3 76	2 3/64 52	1 9/16 40	M10	7/16 11	2 7/16 62	1/2 13	1.2205 31.0	0.5000 12.7	M10	UC 201 201-8	PA 201	0.64
UCPA 202 202-10	5/8	15	1 3/16 30.2	3 76	2 3/64 52	1 9/16 40	M10	7/16 11	2 7/16 62	1/2 13	1.2205 31.0	0.5000 12.7	M10	UC 202 202-10	PA 202	0.64
UCPA 203 203-11	11/16	17	1 3/16 30.2	3 76	2 3/64 52	1 9/16 40	M10	7/16 11	2 7/16 62	1/2 13	1.2205 31.0	0.5000 12.7	M10	UC 203 203-11	PA 203	0.64
UCPA 204-12 204	3/4	20	1 3/16 30.2	3 76	2 3/64 52	1 9/16 40	M10	7/16 11	2 7/16 62	1/2 13	1.2205 31.0	0.5000 12.7	M10	UC 204-12 204	PA 204	0.64
UCPA 205-14 205-15 205 205-16	7/8 15/16 1	25	1 7/16 36.5	3 5/16 84	2 13/64 56	1 25/32 45	M10	15/32 12	2 27/32 72	1/2 13	1.3425 34.1	0.5630 14.3	M10	UC 205-14 205-15 205 205-16	PA 205	0.83
UCPA 206-18 206 206-19	1 1/8 1 3/16	30	1 11/16 42.9	3 11/16 94	2 19/32 66	1 31/32 50	M14	15/32 12	3 5/16 84	25/32 18	1.5000 38.1	0.6260 15.9	M14	UC 206-18 206 206-19	PA 206	1.2
UCPA 207-20 207-21 207-22 207 207-23	1 1/4 1 5/16 1 3/8 1 7/16	35	1 7/8 47.6	4 11/32 110	3 5/32 80	2 5/32 55	M14	1/2 13	3 3/4 95	25/32 20	1.6890 42.9	0.6890 17.5	M14	UC 207-20 207-21 207-22 207 207-23	PA 207	1.7
UCPA 208-24 208-25 208	1 1/2 1 9/16	40	1 15/16 49.2	4 9/16 116	3 5/16 84	2 9/32 58	M14	1/2 13	3 15/16 100	25/32 20	1.9370 49.2	0.7480 19.0	M14	UC 208-24 208-25 208	PA 208	2.0
UCPA 209-26 209-27 209-28 209	1 5/8 1 11/16 1 3/4	45	2 9/64 54.2	4 23/32 120	3 35/64 90	2 3/8 60	M14	1/2 13	4 1/4 108	1 25	1.9370 49.2	0.7480 19.0	M14	UC 209-26 209-27 209-28 209	PA 209	2.2
UCPA 210-30 210-31 210 210-32	1 7/8 1 15/16 2	50	2 1/4 57.2	5 1/8 130	4 45/64 94	2 17/32 64	M16	9/16 14	4 9/16 116	1 25	2.0315 51.6	0.7480 19.0	M16	UC 210-30 210-31 210 210-32	PA 210	2.8

Adapter Sleeve
H 2300


Adapter No.	Bore Dia. Of Sleeve.		Dimensions (mm)			Sleeve No.	Locknut No.	Washer No.	Bearing No.
	d (in)	(mm)	B1	D1	B2				
HE2305 H2305	$\frac{3}{4}$	20	35	38	8	AE2305 A2305	KM05	MB05	UK205 UKX05 UK305
HS2306 HA2306 H2306 HE2306	$\frac{1}{2}$ $1\frac{1}{16}$	25	38	45	8	AS2306 AA2306 A2306 AE2306	KM06	MB06	UK206 UKX06 UK306
HS2307 H2307 HA2307	$1\frac{1}{8}$ $\frac{3}{8}$ $1\frac{1}{16}$	30	43	52	9	AS2307 A2307 AA2307	KM07	MB07	UK207 UKX07 UK307
HE2308 HS2308 H2308	$1\frac{1}{4}$ $1\frac{3}{8}$	35	46	58	10	AE2308 AS2308 A2308	KM08	MB08	UK208 UKX08 UK308
HA2309 HE2309 H2309	$1\frac{1}{16}$ $1\frac{1}{2}$	40	50	65	11	AA2309 AE2309 A2309	KM09	MB09	UK209 UKX09 UK309
HS2310 HA2310 HE2310 H2310	$1\frac{5}{8}$ $1\frac{1}{4}$ $1\frac{3}{16}$ $1\frac{3}{4}$	45	55	70	12	AS2310 AA2310 AE2310 A2310	KM10	MB10	UK210 UKX10 UK310
HS2311 HA2311 H2311 HE2311	$1\frac{7}{8}$ $1\frac{15}{16}$ 2	50	59	75	12	AS2311 AA2311 A2311 AE2311	KM11	MB11	UK211 UKX11 UK311
HS2312 H2312	$2\frac{1}{8}$	55	62	80	13	AS2312 A2312	KM12	MB12	UK212 UKX12 UK312
HA2313 HE2313 H2313 HS2313	$2\frac{3}{16}$ $2\frac{1}{4}$ $2\frac{3}{8}$	60	65	85	14	AA2313 AE2313 A2313 AS2313	KM13	MB13	UK213 UKX13 UK313
HA2315 HE2315 H2315	$2\frac{1}{16}$ $2\frac{1}{2}$	65	73	98	15	AA2315 AE2315 A2315	KM15	MB15	UK215 UKX15 UK315
HA2316 HE2316 H2316	$2\frac{1}{16}$ $2\frac{3}{4}$	70	78	105	17	AA2316 AE2316 A2316	KM16	MB16	UK216 UKX16 UK316
HA2317 H2317 HE2317	$2\frac{15}{16}$ 3	75	82	110	18	AA2317 A2317 AE2317	KM17	MB17	UK217 UKX17 UK317
H2318		80	86	120	18	A2318	KM18	MB18	UK218 UKX18 UK318
HE2319 H2319	$3\frac{1}{4}$	85	90	125	19	AE2319 A2319	KM19	MB19	UKX19 UK319
HE2320 H2320	$3\frac{1}{2}$	90	97	130	20	AE2320 A2320	KM20	MB20	UKX20 UK320
H2322		100	105	145	21	A2322	KM22	MB22	UK322
H2324		110	112	155	22	A2324	KM24	MB24	UK324
H2326		115	121	165	23	A2326	KM26	MB26	UK326
H2328		125	131	180	24	A2328	KM28	MB28	UK328