



PREMIUM QUALITY BEARINGS

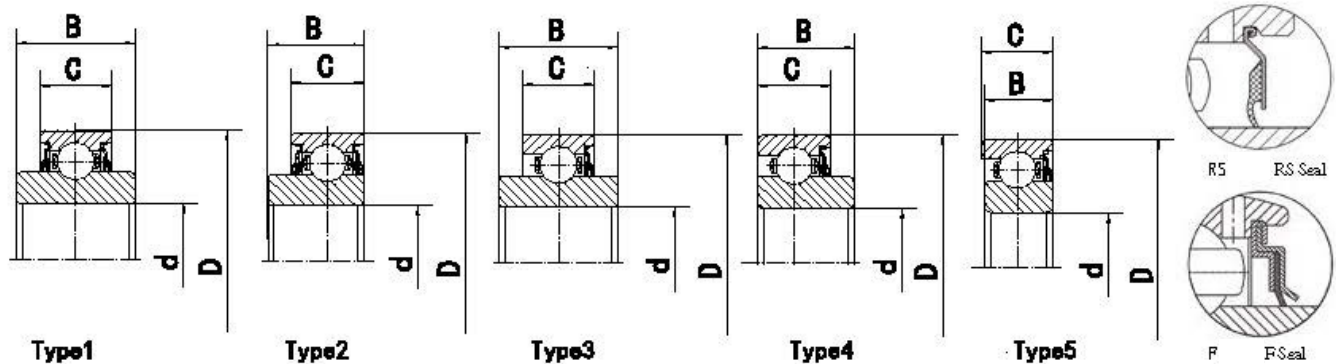
	LP2
	LP2
	LP2
	LLP2
	PWC2
	PH2
	PH2
	HP2..D1
	PH2
	PH2
	PA2
	PA2
	UP2..D1
	PA2
	PA2
	PA2
	PA2..A
	SEB
	SYF
	SNP
	PAS2
	PP2
	PP2
	PP2
	PP2..F
	PP2
	PP2
	GEH..BT
	P
	LPB
PP..Z-II.	
	F2
	F2..D1
	F2
	F2
	F2
	FX
	FX..D1
	FX
	FX
	F2

				SALP2	SBLP2
				ALP2	BLP2
				ENLP2	URLP2
				FHPWC2	BLLP2
					PHSPWC2
	UCPH2				
	UCPH2				
	UCHP2..D1				
	UCPH2				
	UCPH2				
	UCPH2				
	UCPA2				
	UCPA2				
	UCUP2..D1				
	UCPA2				
	UCPA2				
	UCPA2				
	UCPA2				
	UCPA2..A				
	RSHEY				
	SYF..TF				
	SNP				
	UCPAS2				
				SAPP2	SBPP2
				UEPP2	UBPP2
				AELPP2..W3	ASPP2
				SAPP2..F	SBPP2..F
				ENPP2	UBPP2
					BPP2
				PB	PBY
				P..FM	
				LPB..BC	LPB..A
				FHPZ..II.	FHSPPZ..II.
	UCF2	HCF2	UKF2+H	SAP2..G	SBF2
	UCP2..D1	UELF2..D1W3	UKF2..D1;H		
	UCF2		UKF2		
	UCF2	EWF2	UKF2+H		UBF2..JG00
	UCF2		UKF2+H		BF2
	UCF2			FHF2	FHSF2
	UCFX				
	UCFX..D1				
	UCFX				
	UCFX				
	MSF				
	UCFX				

ΤΟΥΚΟΠΙΝΤΑ ΡΟΛΛΕΡ
ΛΙΑΚΟΠΟΥΛΟΣ

ΡΟΥΛΕΜΑΝ ΤΡΙΠΛΗΣ ΤΣΙΜΟΥΧΑΣ (R3) TYPE

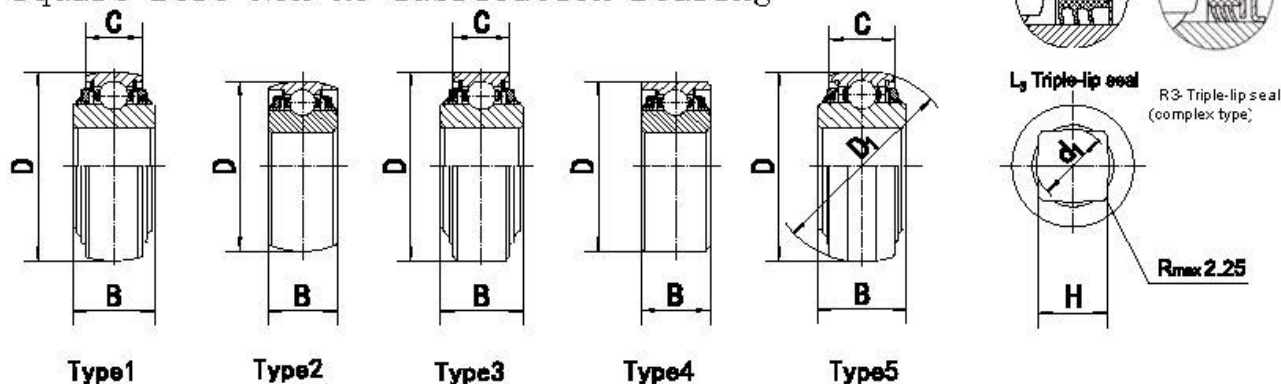
Round Bore Non Re-lubrication Bearing



Bearing NO.	Type	Dimensions (in./mm)				Dynamic load ratings (N)	Static load ratings (N)	Weight (kg)
		d	D	C	B			
203KR2	4	0.6250 15.88	1.5748 40	0.4720 12	0.5510 14	12800	6650	0.08
203KRR2	1	0.6400 16.26	1.5748 40	0.4720 12	0.7200 18.29	12800	6650	0.09
203KRR3	5	0.6280 15.95	2 50.8	0.5906 15	0.5906 15	12800	6650	0.11
203KRR5	1	0.5150 13.08	1.5748 40	0.4720 12	0.7200 18.29	12800	6650	0.10
203KRR6	1	0.6400 16.26	1.8504 47	0.4720 12	0.7200 18.29	12800	6650	0.13
203KRR7	1	0.6690 17	1.5748 40	0.4720 12	0.6540 16.61	12800	6650	0.08
204KR2	4	0.7505 19.063	1.7805 45.23	0.6100 15.49	0.6100 15.49	12800	6650	0.11
204KRR3	1	0.7874 20	1.8504 47	0.4510 11.4	0.6990 17.76	12800	6650	0.12
204KRD4	2	0.6300 16	1.8504 47	0.5510 14	0.6890 17.5	12800	6650	0.14
204KRR14	1	0.6300 16	1.8504 47	0.5910 15	0.7200 18.29	12800	6650	0.15
205KRP	2	0.7560 19.2	2.0472 52	0.5910 15	0.8311 21.11	14000	7850	0.16
205KR3	5	0.7500 19.05	2.0472 52	0.6992 17.76	0.6402 16.26	14000	7850	0.17
205KR4	3	1.0005 25.41	2.0472 52	0.5910 15	1.0005 25.4	14000	7850	0.15
205KP6	1	0.7560 19.2	2.0472 52	0.6692 17.76	0.9209 23.39	14000	7850	0.18
206KR7	3	1.1810 30	2.4410 62	0.6300 16	0.9450 24	19450	11250	0.26
206KRR8	1	1.1810 30	2.4410 62	0.6300 16	0.9450 24	19450	11250	0.26
206KRR18	1	1.2598 32	2.4410 62	0.6300 16	0.9450 24	19450	11250	0.22
207KRR	1	1.3780 35	2.8346 72	0.6690 17	0.9840 25	25700	15200	0.35
207KRR14	1	1.2531 31.83	2.8346 72	0.6690 17	0.9843 25	25700	15200	0.40
208KRR2	1	1.5748 40	3.1496 80	0.8270 21	1.0630 27	29500	18100	0.45
208KR4	3	1.5311 38.89	3.1496 80	0.8268 21	1.0827 27.5	29500	18100	0.47
208KRR4	1	1.5311 38.89	3.1496 80	0.8268 21	1.0827 27.5	29500	18100	0.50
208KPP53	2	1.5000 38.1	3.1496 80	0.8661 22	1.4173 36	29500	18100	0.54
210KRR	1	1.9685 50	3.5433 90	0.7874 20	1.1810 30	35000	23200	0.53
214KRR	1	2.7559 70	4.9212 125	1.1024 28	1.6929 43	62100	44800	1.55

ΡΟΥΛΕΜΑΝ ΤΡΙΠΛΗΣ ΤΣΙΜΟΥΧΑΣ (R3) TYPE

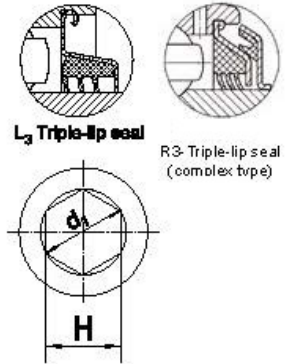
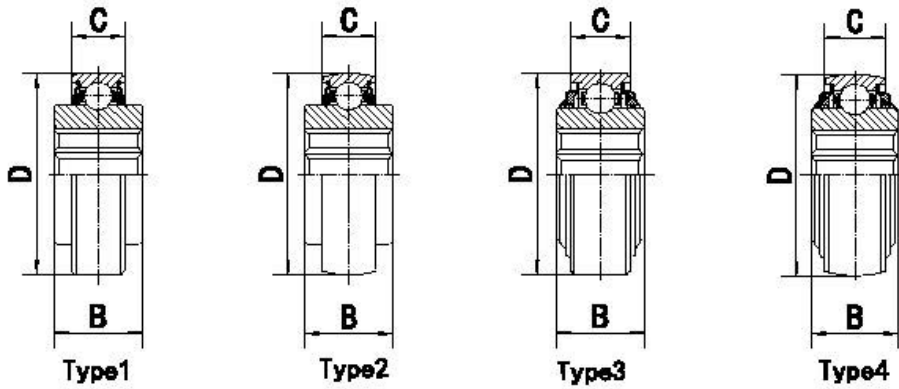
Square Bore Non Re-lubrication Bearing



Bearing NO.	Type	Dimensions (in./mm)					Dynamic load ratings (N)	Static load ratings (N)	Weight (kg)	
		d _i	H	D	D ₁	C				B
W208PP5	3	1.2598 32.00	1.1800 29.97	3.1496 80.00		0.7090 18.00	1.4370 36.50	29500	18100	0.60
W208PPB5	1	1.2598 32.00	1.1800 29.97	3.1496 80.00		0.7090 18.00	1.4370 36.50	29500	18100	0.59
W208PP6	3	1.0945 27.80	1.0300 26.16	3.1496 80.00		0.7090 18.00	1.4370 36.50	29500	18100	0.66
W208PPB6	1	1.0945 27.80	1.0300 26.16	3.1496 80.00		0.7090 18.00	1.4370 36.50	29500	18100	0.65
W208PPB	3	1.2598 32.00	1.1800 29.97	3.1496 80.00		0.7090 18.00	1.4370 36.50	29500	18100	0.71
W208PPB8	1	1.2598 32.00	1.1800 29.97	3.1496 80.00		0.7090 18.00	1.4370 36.50	29500	18100	0.74
W208PPB9	1	1.0945 27.80	1.0300 26.16	3.1496 80.00		0.7090 18.00	1.4370 36.50	29500	18100	0.79
W208PPB11	5	0.9746 24.80	0.9050 22.99	3.4020 85.75	3.4385 87.34	0.7090 18.00	1.4370 36.50	29500	18100	0.96
W208PPB12	5	1.2598 32.00	1.1800 29.97	3.4020 85.75	3.4385 87.34	0.7090 18.00	1.4370 36.50	29500	18100	0.96
W208PPB13	1	0.9746 24.80	0.9050 22.99	3.1496 80.00		0.7090 18.00	1.4370 36.50	29500	18100	0.70
W209PPB5	1	1.3504 34.30	1.2900 32.77	3.3465 85.00		1.1890 30.20	1.4370 36.50	32700	20900	0.95
W209PPB8	1	1.3504 34.30	1.2900 32.77	3.3465 85.00		0.7480 19.00	1.4370 36.50	32700	20900	0.73
W210PP4	4	1.2598 32.00	1.1800 29.97	3.5433 90.00		1.1890 30.20	1.1882 30.20	35000	23200	1.05
W210PPB4	2	1.2598 32.00	1.1800 29.97	3.5433 90.00		1.1890 30.20	1.1890 30.20	35000	23200	0.85
W210PPB6	1	1.2598 32.00	1.1800 29.97	3.5433 90.00		1.1890 30.20	1.4370 36.50	35000	23200	0.74
W211PP3	4	1.6535 42.00	1.5311 38.89	3.9370 100.00		1.3126 33.30	1.3126 33.30	62100	44800	1.27
W211PPB3	2	1.6535 42.00	1.5311 38.89	3.9370 100.00		1.3126 33.30	1.3126 33.30	35000	23200	1.21
W211PP5	3	1.6535 42.00	1.5311 38.89	4.0000 101.60		1.4370 36.50	1.7500 44.45	43300	29200	1.31
W211PPB6	5	1.6535 42.00	1.5311 38.89	4.0772 103.56	4.1299 104.90	1.4370 36.50	1.7500 44.45	47700	32800	1.61
4509BA	3	1.3504 34.30	1.2900 32.77	3.3465 85.00		1.1890 30.20	1.3976 35.50			0.78

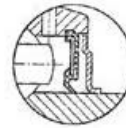
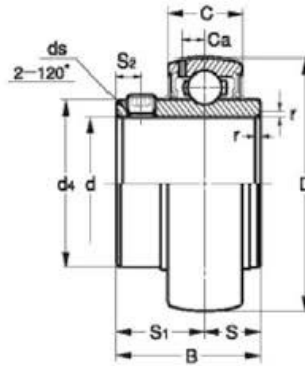
ΡΟΥΛΕΜΑΝ ΤΡΙΠΛΗΣ ΤΣΙΜΟΥΧΑΣ (R3) TYPE

Hex Bore Non Re-lubrication Bearing



Bearing NO.	Type	Dimensions (In. / mm)					Dynamic load ratings (N)	Static load ratings (N)	Weight (kg)
		d	H	D	C	B			
204KPP2	3	0.7970	0.6950	1.8504	0.5510	0.8250	12800	6650	0.34
		20.24	17.65	47	14	20.96			
204KRR2	1	0.7970	0.6950	1.8504	0.5510	0.8250	12800	6650	0.32
		20.24	17.65	47	14	20.96			
204KRRB2	2	0.7970	0.6950	1.8504	0.5510	0.8250	12800	6650	0.32
		20.24	17.65	47	14	20.96			
204KPPB2	4	0.7970	0.6950	1.8504	0.5510	0.8250	12800	6650	0.32
		20.24	17.65	47	14	20.96			
205KPP2	3	1.0120	0.8760	2.0470	0.5910	1.0000	14000	7850	0.47
		25.70	22.25	52	15	25.40			
205KRR2	1	1.0120	0.8760	2.0470	0.5910	1.0000	14000	7850	0.44
		25.70	22.25	52	15	25.40			
205KPPB2	4	1.0120	0.8760	2.0470	0.5910	1.0000	14000	7850	0.47
		25.70	22.25	52	15	25.40			
205KRRB2	2	1.0120	0.8760	2.0470	0.5910	1.0000	14000	7850	0.44
		25.70	22.25	52	15	25.40			
206KRR6	1	1.1520	1.0010	2.4409	0.6300	0.9450	19450	11250	0.75
		29.26	25.43	62	16	24.00			
206KRRB6	2	1.1520	1.0010	2.4409	0.6300	0.9450	19450	11250	0.75
		29.26	25.43	62	16	24.00			
G207KPPB2	4	1.2980	1.2600	2.8346	0.7480	1.4840	25700	15200	1.10
		32.97	28.60	72	19	37.70			
207KRRB9	2	1.2980	1.2600	2.8346	0.6690	1.4840	25700	15200	1.00
		32.97	28.60	72	17	37.70			
207KRRB12	2	1.2980	1.2600	2.8346	0.6690	0.9840	25700	15200	0.87
		32.97	28.60	72	17	25.00			
207KPPB3	4	1.4429	1.2512	2.8346	0.6690	1.4840	25700	15200	0.87
		36.65	31.78	72	17	37.70			
207KPP3	3	1.4429	1.2512	2.8346	0.6690	0.9840	25700	15200	0.87
		36.65	31.78	72	17	25.00			
GW208PPB22	4	1.4500	1.2550	3.1496	0.8270	1.4370	29500	18100	1.50
		36.83	31.88	80	21	36.50			
W208KRRB6	2	1.5870	1.3760	3.1496	0.8270	1.4370	29500	18100	1.31
		40.30	34.95	80	21	36.50			
W208PPB16	4	1.4429	1.2512	3.1496	0.7090	1.4370	29500	18100	1.45
		36.65	31.78	80	18	36.50			
W208PP21	3	1.4429	1.2512	3.1496	0.7090	1.4370	29500	18100	1.45
		36.65	31.78	80	18	36.50			
G209KPPB2	4	1.7300	1.5010	3.3465	0.7490	1.1810	32700	20900	1.26
		43.94	38.13	85	19	30.00			
209KRRB2	2	1.7300	1.5010	3.3465	0.7490	1.1810	32700	20900	1.27
		43.94	38.13	85	19	30.00			
210PPB20	4	1.4500	1.2550	3.5433	0.8661	1.4370	35000	23200	2.00
		36.83	31.88	90	22	36.50			
210PP20	3	1.4500	1.2550	3.5433	0.8661	1.4370	35000	23200	2.05
		36.83	31.88	90	22	36.50			
G210KPPB2	4	1.7300	1.5010	3.5433	0.8611	1.1811	35000	23200	1.89
		43.94	38.13	90	22	30.00			
GC211-32-NLC	3	2.0200	1.7510	3.9370	0.9840	2.2500	43300	29200	3.35
		51.31	44.48	100	25	57.15			

Stainless steel Ball Bearings SSUC Type
(with setcrews)



Double seal

Hole size: 12—65mm

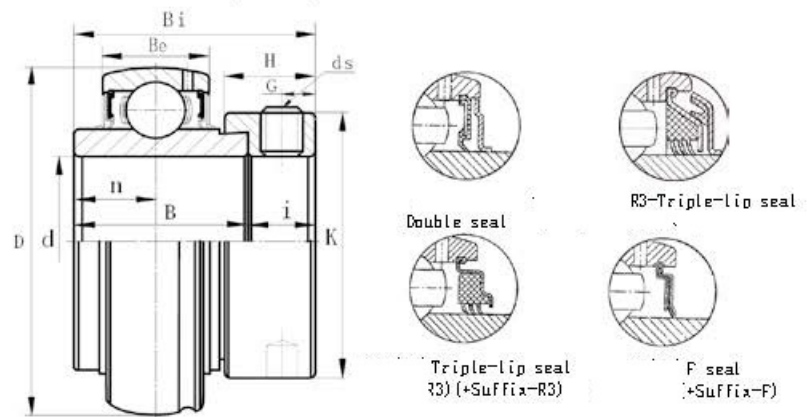
KOYKOPININ ROLLER MATOLOTUN

Shaft Dia.	Bearings No.	Dimensions (mm)										Basic dynamic load rating		(kg) weight	
		d	D	B	C	r	S	S1	S2	ds	Ca	d4	Cr		Cor
12	SSUC201	12	47	31	17	1	12.7	18.3	4.7	M 6X1	4.5	29	10.9	5.3	0.21
15	SSUC202	15	47	31	17	1	12.7	18.3	4.7	M 6X1	4.5	29	10.9	5.3	0.19
17	SSUC203	17	47	31	17	1	12.7	18.3	4.7	M 6X1	4.5	29	10.9	5.3	0.18
20	SSUC204	20	47	31	17	1.5	12.7	18.3	4.7	M 6X1	4.5	29	10.9	5.3	0.16
25	SSUC205	25	52	34.1	17	1.5	14.3	19.6	5	M 6X1	4.5	34	11.9	6.3	0.19
30	SSUC206	30	62	38.1	19	1.5	15.9	22.2	5	M 6X1	5.1	40.5	16.7	9.0	0.31
35	SSUC207	35	72	42.9	20	2	17.5	25.4	6	M 8X1	5.8	48	22.0	12.3	0.48
40	SSUC208	40	80	49.2	21	2	19	30.2	8	M 8X1	6.2	53	24.9	14.3	0.62
45	SSUC209	45	85	49.2	22	2	19	30.2	8	M 8X1	6.5	57.3	28.1	16.4	0.67
50	SSUC210	50	90	51.6	24	2	19	32.6	10	M 10X1.25	6.5	63	30.2	18.6	0.78
55	SSUC211	55	100	55.6	25	2.5	22.2	33.4	10	M 10X1.25	7.3	70	36.6	23.5	1.09
60	SSUC212	60	110	65.1	27	2.5	25.4	39.7	10	M 10X1.25	7.7	77	44.6	28.9	1.45
65	SSUC213	65	120	65.1	30	2.5	25.4	39.7	10	M 10X1.25	8.3	82.1	48.9	32	1.71

ΡΟΥΛΕΜΑΝ ΤΡΙΠΛΗΣ ΤΣΙΜΟΥΧΑΣ (R3) TYPE

Ball Bearings
(with eccentric locking collar)

HC 300 (heavy-duty)



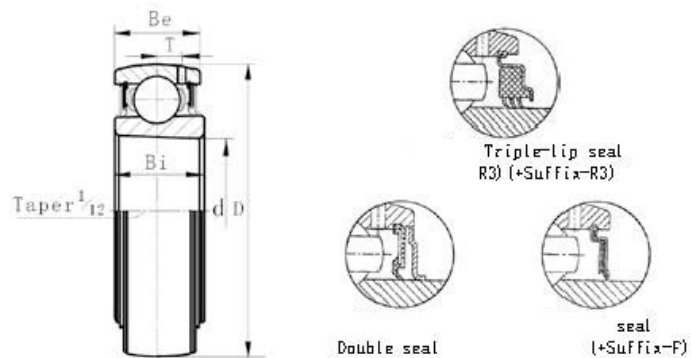
Bearing No.	Shaft Dia.		Dimensions (in.) or (mm)								Basic Dynamic Load Rating (N)	Basic Static Load Rating (N)	Weight (kg)		
	d (in.)	d (mm)	D	Bi	Be	n	B	i	K	H				G	ds
HC 305-14 305-15 305 305-16	$\frac{7}{16}$ $\frac{15}{16}$ 1	25	2.4409 62	1.8425 46.8	0.8268 21	0.6875 17.5	1.3740 34.9	0.6850 17.4	1.6850 42.8	0.6260 15.9	0.2362 6	$\frac{3}{4}$ -24UNF W8X1.0	22360	11500	0.46 0.44 0.43 0.43
HC 306-18 306 306-20	$\frac{1}{4}$ $\frac{3}{8}$ $\frac{1}{2}$	30	2.8146 72	1.9685 50	0.9055 23	0.6890 17.5	1.370 34.5	0.5315 13.5	1.6850 42.8	0.6890 17.5	0.2638 6.7	$\frac{3}{4}$ -24UNF W8X1.0	27000	15200	0.71 0.68 0.68
HC 307-20 307-21 307-22 307 307-23	$\frac{1}{4}$ $\frac{15}{32}$ $\frac{1}{2}$ $\frac{1}{2}$ $\frac{1}{2}$	35	3.1496 80	2.0315 51.6	1.0236 26	0.7205 18.3	1.5000 38.1	0.5315 13.5	2.1654 55	0.6890 17.5	0.2638 6.7	$\frac{3}{4}$ -24UNF W8X1.0	33500	19200	0.86 0.83 0.80 0.80 0.78
HC 308-24 308-25 308	$\frac{1}{2}$ $\frac{15}{16}$ $\frac{1}{2}$	40	3.5433 90	2.2480 57.1	1.1024 28	0.7795 19.8	1.6260 41.3	0.6220 15.8	2.5000 63.5	0.8110 20.6	0.3150 8	$\frac{3}{4}$ -24UNF W10X1.0	40560	24000	1.13 1.13 1.08
HC 309-26 309-27 309-28 309	$\frac{1}{2}$ $\frac{19}{32}$ $\frac{15}{16}$ $\frac{1}{2}$	45	3.9370 100	2.3110 58.7	1.1811 30	0.7795 19.8	1.6890 42.9	0.6220 15.8	2.7000 68.6	0.8110 20.6	0.3150 8	$\frac{3}{4}$ -24UNF W10X1.0	53000	31800	1.57 1.52 1.47 1.45
HC 310-30 310 310-32	$\frac{15}{16}$ $\frac{15}{16}$ 2	50	4.3307 110	2.6220 66.6	1.2595 32	0.9685 24.6	1.9370 49.2	0.6850 17.4	3.0000 76.2	0.8110 20.6	0.3425 8.7	$\frac{3}{4}$ -24UNF W10X1.0	61750	37800	1.93 1.88 1.86 1.81
HC 311-32 311-34 311 311-35	2 $2\frac{1}{8}$ $2\frac{1}{8}$ $2\frac{1}{16}$	55	4.7244 120	2.8740 73	1.3386 34	1.0945 27.8	2.1890 55.6	0.6850 17.4	3.2677 83	0.8740 22.2	0.3543 9	$\frac{3}{4}$ -24UNF W10X1.0	71500	44800	2.49 2.36 2.30 2.24
HC 312-36 312 312-38 312-39	$2\frac{1}{4}$ $2\frac{3}{8}$ $2\frac{3}{8}$ $2\frac{1}{2}$	60	5.1181 130	3.1260 79.4	1.4173 36	1.2185 30.95	2.4370 61.9	0.6890 17.5	3.5039 89	0.9409 23.9	0.3543 9	$\frac{3}{4}$ -20UNF W10X1.0	81600	51800	2.95 2.89 2.89 2.86
HC 313-40 313	$2\frac{1}{2}$	65	5.5118 140	3.3740 85.7	1.4961 38	1.2795 32.55	2.5630 65.1	0.8110 20.6	3.8189 97	1.0630 27	0.4528 11.5	$\frac{3}{4}$ -20UNF W12X1.5	93860	60500	3.85 3.66
HC 314-44 314	$2\frac{3}{4}$	70	5.9056 150	3.6260 92.1	1.5748 40	1.3445 34.15	2.6890 68.3	0.9370 23.8	4.0157 102	1.1860 30.2	0.4724 12	$\frac{3}{4}$ -20UNF W12X1.25	104260	68000	4.40 4.50
HC 315 315-48	3	75	6.2992 160	3.9370 100	1.6535 42	1.4685 37.3	2.9370 74.6	1.0000 25.4	4.4488 113	1.2520 31.8	0.5118 13	$\frac{3}{4}$ -18UNF W16X1.5	113360	76800	5.34 5.34
HC 316 316-50	$3\frac{1}{8}$	80	6.6929 170	4.1890 106.4	1.7323 44	1.5945 40.5	3.1890 81	1.0900 25.4	4.6850 119	1.2520 31.8	0.5118 13	$\frac{3}{4}$ -18UNF W16X1.5	122850	86500	6.70
HC 317 317-52	$3\frac{1}{4}$	85	7.0866 180	4.3110 109.5	1.8110 46	1.6635 42.05	3.3110 84.1	1.0000 25.4	5.0000 127	1.2520 31.8	0.5118 13	$\frac{3}{4}$ -18UNF W16X1.5	132600	96500	8.03 7.96
HC 318-56 318	$3\frac{1}{2}$	90	7.4803 190	4.5630 115.9	1.8898 48	1.7165 43.5	3.4370 87.3	1.1260 28.6	5.2362 133	1.4370 36.5	0.5709 14.5	$\frac{3}{4}$ -16UNF W16X1.5	143000	108000	9.10 9.10
HC 319 319-60	$3\frac{3}{4}$	95	7.8740 200	4.8150 122.3	1.9685 50	1.8425 46.8	3.6890 93.7	1.1260 28.6	5.5118 140	1.4370 36.5	0.5709 14.5	$\frac{3}{4}$ -16UNF W20X1.5	156000	122000	10.4
HC 320 320-64	4	100	8.4646 215	5.0630 128.6	2.2160 51	1.9685 50	3.9370 100	1.1260 28.6	5.7480 146	1.4370 36.5	0.5709 14.5	$\frac{3}{4}$ -16UNF W20X1.5	171600	140000	13.0 13.0

ΚΟΥΚΟΡΙΝΗ - ROLLER
ΛΙΑΚΟΠΟΥΛΟΣ

ΡΟΥΛΕΜΑΝ ΤΡΙΠΛΗΣ ΤΣΙΜΟΥΧΑΣ (R3) ΤΥΠΕ

 UK Ball Bearings
 (with tapered bore)

UK 200 (normal-duty)

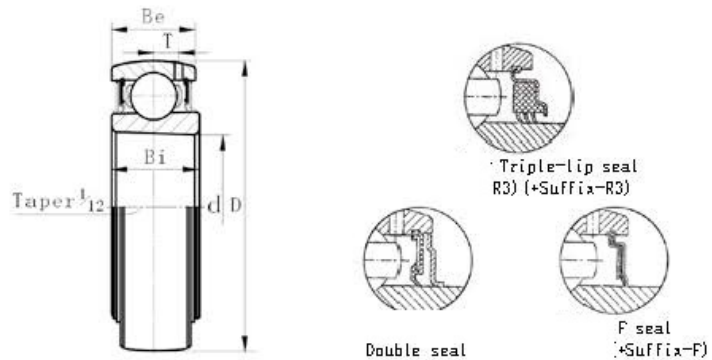


Bearing No.	Shaft Dia.	Dimensions (in.) or (mm)					Basic Dynamic Load Rating (N)	Basic Static Load Rating (N)	Weight (kg)
	d (mm)	D	Bi	Be	Bi (TRL)	T			
UK 205	25	2.0472 52	0.9055 23	0.6693 17	0.9449 24	0.1654 4.2	14000	7880	0.16
UK 206	30	2.4409 62	1.0356 26	0.7480 19	1.0680 27	0.2047 5.2	19500	11200	0.25
UK 207	35	2.8346 72	1.1024 28	0.7874 20	1.1811 30	0.2323 5.9	25700	15200	0.37
UK 208	40	3.1496 80	1.1417 29	0.8267 21	1.3386 34	0.2441 6.2	29600	18200	0.47
UK 209	45	3.3465 85	1.2205 31	0.8661 22	1.4173 36	0.2598 6.6	31850	20800	0.52
UK 210	50	3.5433 90	1.2205 31	0.9149 24	1.4173 36	0.2559 6.5	35100	23200	0.59
UK 211	55	3.9370 100	1.3780 35	0.9843 25	1.5748 40	0.2756 7.0	43550	29200	0.80
UK 212	60	4.3307 110	1.4173 36	1.0630 27	1.8504 47	0.2992 7.6	47800	32800	1.02
UK 213	65	4.7244 120	1.4173 36	1.1024 28	1.8504 47	0.3346 8.5	57200	40000	1.34
UK 214	70	4.9212 125	1.4567 37	1.1417 29	1.8898 48	0.3504 8.9	44000	34010	1.20
UK 215	75	5.1181 130	1.6142 41	1.1811 30	2.0079 51	0.3543 9.0	66000	49500	1.50
UK 216	80	5.5118 140	1.7323 44	1.2992 33	2.1654 55	0.4016 10.2	71500	54200	1.96
UK 217	85	5.9055 150	1.8110 46	1.4173 36	2.2441 57	0.4055 10.3	83200	63800	2.42
UK 218	90	6.2992 160	1.8898 48	1.4567 37	2.4803 63	0.4409 11.2	95900	71500	3.00

ΡΟΥΛΕΜΑΝ ΤΡΙΠΛΗΣ ΤΣΙΜΟΥΧΑΣ (R3) ΤΥΠΕ

 UK Ball Bearings
 (with tapered bore)

UK X00 (medium-duty)

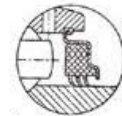
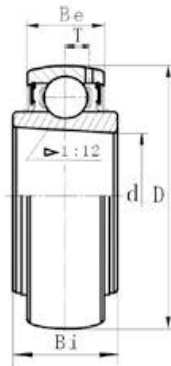


Bearing No.	Shaft Dia.	Dimensions (in.) or (mm)				Basic Dynamic Load Rating (N)	Basic Static Load Rating (N)	Weight (kg)
	d (mm)	D	Bi	Be	T			
UK X05	25	2.4409 62	1.0236 26	0.7480 19	0.2008 5.1	19500	11300	0.37
UK X06	30	2.8346 72	1.0630 27	0.7871 20	0.2283 5.8	25700	15300	0.59
UK X07	35	3.1496 80	1.1417 29	0.8267 21	0.2441 6.2	29500	18100	0.75
UK X08	40	3.3465 85	1.1811 30	0.8611 22	0.2559 6.5	31600	20600	0.86
UK X09	45	3.5433 90	1.2205 31	0.9055 23	0.2559 6.5	35000	23200	0.94
UK X10	50	3.9370 100	1.2992 33	0.9449 24	0.2874 7.3	43500	29200	1.34
UK X11	55	4.3307 110	1.4173 36	1.0336 26	0.3031 7.7	47700	32900	1.67
UK X12	60	4.7244 120	1.4960 38	1.0630 27	0.3268 8.3	57500	40000	1.89
UK X13	65	4.9212 125	1.5748 40	1.1417 29	0.3425 8.7	60800	45000	2.09
UK X15	75	5.5118 140	1.7323 44	1.2598 32	0.3780 9.6	71500	54200	3.25
UK X16	80	5.9055 150	1.8110 46	1.3386 34	0.4134 10.5	83500	64600	3.86
UK X17	85	6.2992 160	1.9291 49	1.4173 36	0.4370 11.1	96000	71500	4.72
UK X18	90	6.6929 170	2.0472 52	1.4960 38	0.4685 11.9	109000	82000	5.11
UK X20	100	7.4803 190	2.2835 58	1.6535 42	0.5118 13	133000	105000	7.51

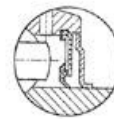
ΡΟΥΛΕΜΑΝ ΤΡΙΠΛΗΣ ΤΣΙΜΟΥΧΑΣ (R3) ΤΥΠΕ

UK Ball Bearings
(with tapered bore)

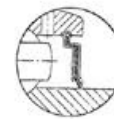
UK 300 (heavy-duty)



Triple-lip seal
R3) (+Suffix-R3)



Double seal



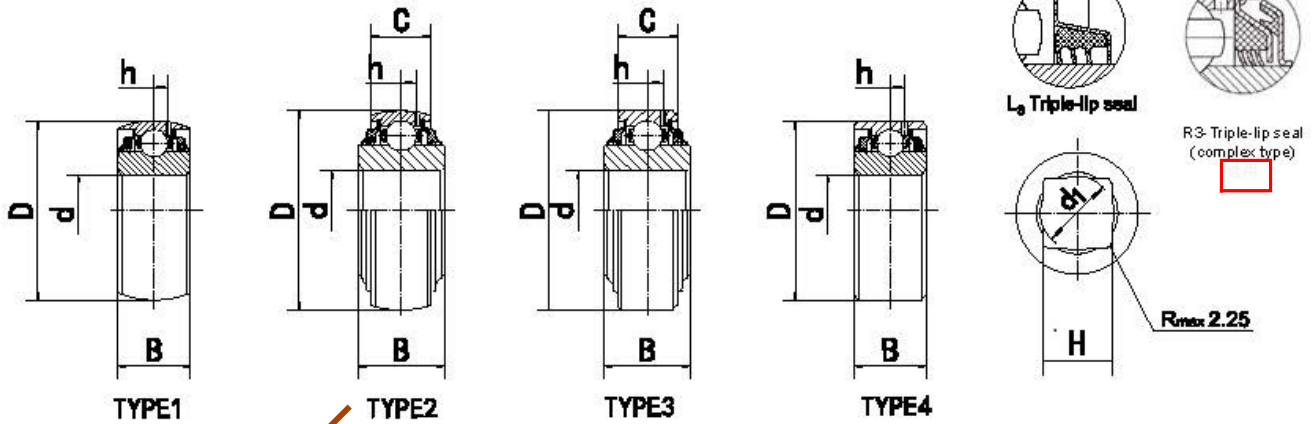
F seal
(+Suffix-F)

轴承代号 Bearing No.	轴径 Shaft Dia.	外形尺寸 (英寸) 或 (毫米) Dimensions (in.) or (mm)				额定动负荷 Basic Dynamic Load Rating (N)	额定静负荷 Basic Static Load Rating (N)	重量 Weight (kg)
	d (mm)	D	Bi	Be	T			
UK 305	25	2.8107 62	1.0630 27	0.2288 21	0.2401 6.1	22360	11500	0.48
UK 306	30	2.8346 72	1.1811 30	0.9055 23	0.2638 6.7	27000	15200	0.59
UK 307	35	3.1496 80	1.2993 33	1.0236 26	0.2913 7.4	33500	19200	0.74
UK 308	40	3.5433 90	1.3780 35	1.1024 28	0.3228 8.2	40560	24000	1.01
UK 309	45	3.9370 100	1.4961 38	1.1811 30	0.3543 9	53000	31800	1.31
UK 310	50	4.3307 110	1.5748 40	1.2598 32	0.3937 10	61750	37800	1.68
UK 311	55	4.7244 120	1.6929 43	1.3386 34	0.4272 10.7	71500	44800	2.06
UK 312	60	5.1181 130	1.8504 47	1.4173 36	0.4527 11.5	81600	51800	2.53
UK 313	65	5.5118 140	1.8898 48	1.4961 38	0.4803 12.2	93860	60500	3.07
UK 315	75	6.2992 160	2.1654 55	1.6535 42	0.5433 13.8	113360	76800	4.74
UK 316	80	6.6929 170	2.1654 55	1.7323 44	0.5709 14.5	122850	86500	5.62
UK 317	85	7.0866 180	2.3622 60	1.8110 46	0.5906 15	132600	96500	6.56
UK 318	90	7.4803 190	2.3622 60	1.8898 48	0.6260 15.9	143000	108000	7.52
UK 319	95	7.8740 200	2.5984 66	1.9685 50	0.6574 16.7	156000	122000	8.72
UK 320	100	8.4646 215	2.6772 68	2.1260 54	0.7087 18	171600	140000	10.8
UK 322	110	9.4488 240	3.1496 80	2.3622 60	0.8268 21	158000	178000	14.4
UK 324	120	10.2362 260	3.3858 86	2.5197 64	0.8661 22	175000	208000	18.0
UK 326	130	11.0236 280	3.6220 92	2.6772 68	0.9055 23	195000	242000	23.3
UK 328	140	11.8110 300	3.8582 98	2.8346 72	0.9843 25	212000	272000	28.8



ΡΟΥΛΕΜΑΝ ΤΡΙΠΛΗΣ ΤΣΙΜΟΥΧΑΣ (R3) TYPE

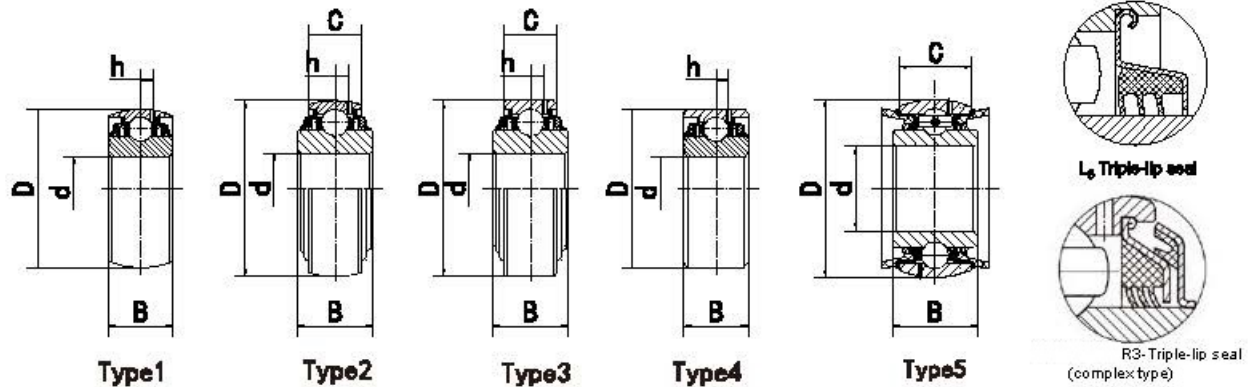
Square Bore Re-lubrication Bearing



Bearing NO.	Type	Dimensions (In./mm)						Dynamic load ratings (N)	Static load ratings (N)	Weight (kg)
		d	H	D	C	B	h			
GW208PPB5	2	1.2598 32.00	1.1800 29.97	3.1490 80.00	1.9450 24.00	1.4370 36.50	0.2520 6.40	29500	18100	0.64
GW208PPB6	2	1.0945 27.80	1.0300 26.16	3.1490 80.00	0.9450 24.00	1.4370 36.50	0.2520 6.40	29500	18100	0.76
GW208PP8	3	1.2598 32.00	1.1800 29.97	3.1490 80.00	1.1882 30.18	1.4378 36.52	0.2520 6.40	29500	18100	0.74
GW208PPB8	2	1.2598 32.00	1.1800 29.97	3.1490 80.00	0.9450 24.00	1.1890 30.20	0.2520 6.40	29500	18100	0.66
GW208PP12	3	1.2598 32.00	1.7992 29.97	3.5433 90.00	1.1882 30.18	1.4378 36.52	0.2520 6.40	30	18100	0.85
GW208PPB17	3	1.1811 30.00	1.1260 28.60	3.3856 85.74	1.1882 30.18	1.1438 36.52	0.2520 6.40	29500	18100	0.76
GW209PPB5	2	1.3504 34.30	1.2900 32.77	3.3465 85.00	1.1890 30.20	1.4370 36.50	0.2598 6.60	32700	20900	0.80
GW209PPB8	2	1.3504 34.30	1.2900 32.77	3.3465 85.00	0.8661 22.00	1.4370 36.50	0.2598 6.60	32700	20900	0.75
GW209PPB12	2	1.2598 32.00	1.1811 30.00	3.3756 85.00	0.8661 22.00	1.7717 45.00	0.2598 6.60	32700	20900	1.20
GW209PPB17	2	1.2600 32.00	1.1800 29.97	3.3155 85.74	1.1890 30.20	1.4370 36.50	0.2598 6.60	32700	20900	1.93
GW210PP4	4	1.2205 31.00	1.1260 28.60	3.5433 90.00	1.1882 30.18	1.1882 30.18	0.2598 6.60	35000	23200	0.91
GW210PPB4	1	1.2598 32.00	1.1800 29.97	3.5433 90.00	1.1890 30.20	1.1890 30.20	0.2598 6.60	35000	23200	0.84
GW211PP3	4	1.6535 42.00	1.5311 38.89	3.9370 100.00	1.3126 33.30	1.3126 33.30	0.2992 7.60	43300	29200	1.06
GW211PPB3	1	1.6535 42.00	1.5311 38.89	3.9370 100.00	1.3126 33.30	1.3126 33.30	0.2992 7.60	43300	29200	1.16
GW211PP5	3	1.6535 42.00	1.5311 38.89	4.0000 101.60	1.4370 36.50	1.7500 44.45	0.2992 7.60	43300	29200	1.31
GW211PPB5	2	1.6535 42.00	1.5311 38.89	4.0000 101.60	1.4378 36.52	1.7500 44.45	0.2992 7.60	43300	29200	1.24
GW211PP17	3	1.6535 42.00	1.5311 38.89	3.9370 100.00	1.3126 33.30	1.7500 44.45	0.2992 7.60	43300	29200	1.26
GW214PPB4	1	2.1610 54.90	2.0550 52.20	4.9213 125.00	1.5630 39.70	1.5630 39.70	0.3543 9.00	62100	44800	2.17

ΡΟΥΛΕΜΑΝ ΤΡΙΠΛΗΣ ΤΣΙΜΟΥΧΑΣ (R3) TYPE

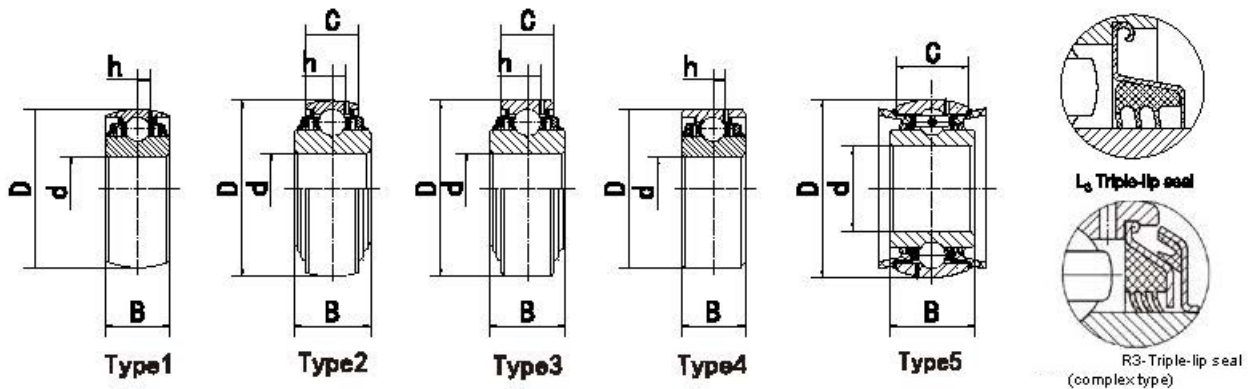
Round Bore Re-lubrication Bearing



Bearing NO.	Type	Dimensions (in./mm)					Dynamic load ratings (N)	Static load ratings (N)	Weight (kg)
		d	D	C	B	h			
GW205PPB7	2	0.9375 23.81	2.0472 52	0.5904 15	1.3780 35	0.1693 4.30	14000	7850	0.20
GW208PPB7	2	1.1880 30.18	3.1496 80	0.9450 24	1.1890 30.2	0.2520 6.40	29500	18100	0.60
GW209PPB2	1	1.7717 45	3.3485 85	1.1890 30.2	1.1890 30.2	0.2598 6.60	32700	20900	0.58
GW209PPB4	1	1.5354 39	3.3465 85	1.1890 30.175	1.1890 30.2	0.2598 6.60	32700	20900	0.61
GW209PPB11	2	1.7811 45.24	3.3465 85	0.8660 22	1.4370 36.5	0.2598 6.60	32700	20900	0.58
GW209PPB12	2	1.7650 44.83	3.3465 85	0.8660 22	1.6870 42.85	0.2598 6.60	32700	20900	0.60
GW209PPB13	2	1.7811 45.24	3.3465 85	1.1858 30.12	1.4378 36.92	0.2598 6.60	32700	20900	0.62
GW209PPB40	2	1.5748 40	3.3465 85	0.8661 22	1.6870 42.85	0.2598 6.60	32700	20900	0.85
GW210PPB2	1	1.9380 49.23	3.5433 90	1.1890 30.2	1.1890 30.2	0.2598 6.60	35000	23200	0.62
GW210PPB3	1	1.4776 37.53	3.5433 90	1.1890 30.2	1.1890 30.2	0.2598 6.60	35000	23200	1.12
GW210PPB5	1	1.7850 45.34	3.5433 90	1.1890 30.2	1.1890 30.2	0.2598 6.60	35000	23200	0.65
GW210PPB9	1	1.9449 49.4	3.5433 90	0.9055 23	1.4370 36.5	0.2598 6.60	35000	23200	0.80
GW211PPB2	1	2.1890 55.75	3.9370 100	1.3126 33.3	1.3126 33.3	0.2992 7.60	43300	29200	0.81
GW211PPB8	2	2.1890 55.75	3.9370 100	0.9840 25	1.3126 33.338	0.2992 7.60	43300	29200	0.75
GW211PPB9	2	2.1949 55.75	3.9370 100	0.9840 25	1.5630 39.7	0.2992 7.60	43300	29200	0.92
GW211PPB10	1	1.9380 49.23	3.9370 100	1.3126 33.3	1.3126 33.3	0.2992 7.60	43300	29200	1.03
GW211PPB13	2	1.7850 45.34	3.9370 100	0.9840 25	1.3126 33.3	0.2992 7.60	43300	29200	0.99
GW211PPB14	2	2.0150 51.18	3.9370 100	0.9840 25	1.3126 33.338	0.2992 7.60	43300	29200	1.00
GW211PPB25	2	1.7799 45.21	3.3465 100	1.3122 33.33	1.75 44.75	0.2992 7.60	43300	29200	1.14
GW214PPB2	1	2.7559 70	4.9213 125	1.5630 39.688	1.5630 39.688	0.3543 9.00	62100	45000	1.67
GW214PPB6	2	2.6882 68.28	4.9213 125	1.1024 28	2.6874 68.26	0.3543 9.00	62100	44800	1.37

ΡΟΥΛΕΜΑΝ ΤΡΙΠΛΗΣ ΤΣΙΜΟΥΧΑΣ (R3) TYPE

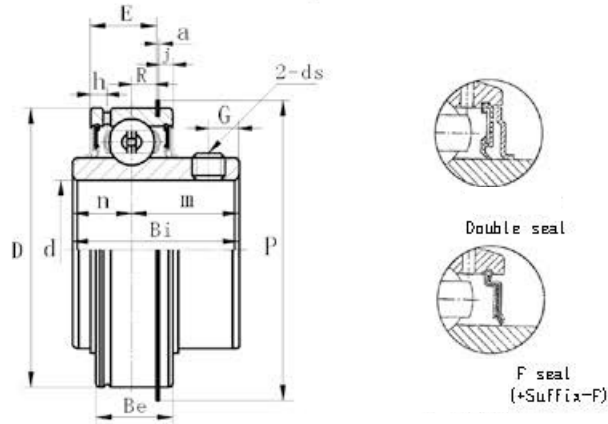
Round Bore Re-lubrication Bearing



Bearing NO.	Type	Dimensions (In./mm)					Dynamic load ratings (N)	Static load ratings (N)	Weight (kg)
		d	D	C	B	h			
GW209PPB30	3	1.7701	3.4921	1.25	1.6870	0.2598	32700	20900	0.60
		44.96	88.70	31.75	42.85	6.6			
GW210PP3	4	1.4766	3.5433	1.1890	1.1890	0.2598	35000	23200	1.03
		37.53	90.00	30.2	30.2	6.6			
GW210PP9	3	1.9567	3.5433	0.9055	1.4375	0.2598	35000	23200	0.84
		49.70	90.00	23.00	36.5	6.6			
GW211PP2	4	2.1890	3.9370	1.3126	1.3126	0.2992	43300	29200	0.88
		55.58	100	33.3	33.3	7.6			
GW211PP4	4	1.7701	3.9370	1.3125	1.3125	0.2992	43300	29200	0.88
		42.16	100	33.34	33.34	7.6			
GW211PP9	3	2.1949	3.9370	0.9840	1.5630	0.2992	43300	29200	0.75
		55.75	100	25.00	39.7	7.6			
GW211PP13	3	1.7850	3.9370	0.9843	1.3125	0.2992	43300	29200	0.92
		45.34	100	25.00	33.34	7.6			
GW211PPB20	5	2.1949	3.9370	1.2992	1.5748	0.3189	43300	29200	1.05
		55.75	100	33.34	40.00	8.1			
GW211PP21	3	1.7800	3.9803	1.4382	2.1248	0.2992	43300	29200	1.00
		45.21	101.1	36.53	53.97	7.6			
GW211PP25	3	2.0200	3.9370	1.3125	2.3740	0.2992	43300	29200	1.00
		51.31	100	33.34	60.30	7.6			
GW214PP2	4	2.7559	4.9213	1.5630	1.5630	0.3543	62100	44800	1.91
		70.00	125	39.7	39.7	9.00			

Ball Bearings
 (with locating snap ring)

SER 200 (normal-duty)



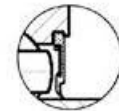
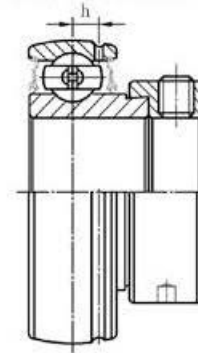
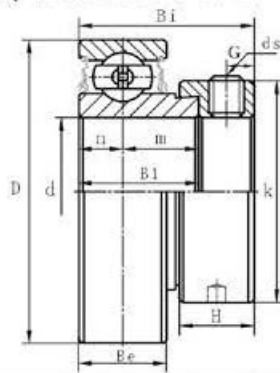
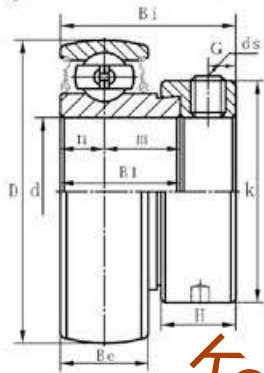
Bearing No.	Shaft Dia.		Dimensions (in.) or (mm)													Basic Dynamic Load Rating (N)	Basic Static Load Rating (N)	Weight (kg)
	d		D	Bi	Be	n	m	E	a	h	R	j	P	G	ds			
	(in.)	(mm)																
SER 201 201-8	5/8	12	1.8504 47	1.2205 31.0	0.6260 15.9	0.5000 12.7	0.7205 18.3	0.4760 12.09	0.0421 1.07	4.0	0.1630 4.14	0.0969 2.46	2.0748 52.7	0.1850 4.7	1/4 -28UNF MGX1.0	12800	6650	0.22
SER 202 202-10	3/8	15	1.8504 47	1.2205 31.0	0.6260 15.9	0.5000 12.7	0.7205 18.3	0.4760 12.09	0.0421 1.07	4.0	0.1630 4.14	0.0969 2.46	2.0748 52.7	0.1850 4.7	1/4 -28UNF MGX1.0	12800	6650	0.22
SER 203 203-11	11/16	17	1.8504 47	1.2205 31.0	0.6260 15.9	0.5000 12.7	0.7205 18.3	0.4760 12.09	0.0421 1.07	4.0	0.1630 4.14	0.0969 2.46	2.0748 52.7	0.1850 4.7	1/4 -28UNF MGX1.0	12800	6650	0.22
SER 204-12 204	3/4	20	1.8504 47	1.2205 31.0	0.6260 15.9	0.5000 12.7	0.7205 18.3	0.4760 12.09	0.0421 1.07	4.0	0.1630 4.14	0.0969 2.46	2.0748 52.7	0.1850 4.7	1/4 -28UNF MGX1.0	12800	6650	0.21
SER 205-14 205-15 205	7/8	25	2.0472 52	1.3425 34.1	0.7480 19	0.5630 14.3	0.7795 19.8	0.6020 15.29	0.0421 1.07	5.2	0.2047 5.21	0.0969 2.46	2.2795 57.9	0.2126 5.4	1/4 -28UNF MGX1.0	14000	7880	0.27
SER 206-18 206	1 1/8	30	2.4409 62	1.5000 38.1	0.8740 22.2	0.6260 15.9	0.8740 22.2	0.6701 17.02	0.0650 1.65	5.6	0.2331 5.92	0.0969 2.46	2.6651 67.7	0.2205 5.6	1/4 -28UNF MGX1.0	19500	11200	0.39
SER 206-19 206-20	1 3/10																	
SER 206-20	1 1/4																	
SER 207-20 207-22 207	1 1/4	35	2.8316 72	1.6890 42.9	0.9370 23.8	0.6890 17.5	1.0000 25.4	0.7362 18.62	0.0650 1.65	5.6	0.2205 5.6	0.1291 3.28	3.0944 78.6	0.2205 5.6	5/16 -24UNF MX1.0	25700	15200	0.56
SER 207-23	1 5/16																	
SER 208-24 208	1 1/2	40	3.1496 80	1.9370 49.2	1.0945 27.8	0.7480 19.0	1.1890 30.2	0.8905 22.62	0.0650 1.65	6.4	0.2520 6.4	0.1291 3.28	3.4094 86.6	0.3150 8.0	5/16 -24UNF MX1.0	29600	18200	0.72
SER 209-26 209-27 209-28 209	1 5/8	45	3.3465 85	1.9370 49.2	1.0945 27.8	0.7480 19.0	1.1890 30.2	0.8905 22.62	0.0650 1.65	6.4	0.2520 6.4	0.1291 3.28	3.6062 91.6	0.3150 8.0	5/16 -24UNF MX1.0	31850	20800	0.90
SER 210-30 210-31 210	1 7/8	50	3.5433 90	2.0315 51.6	0.1260 28.6	0.7480 19.0	1.2835 32.6	0.8906 22.62	0.0949 2.41	7.5	0.2952 7.5	0.1291 3.28	3.7992 96.5	0.3937 10	3/8 -24UNF M10X1.0	35100	23200	0.93
SER 210-32	2																	
SER 211-32 211	2	55	3.9370 100	2.1890 55.6	1.1890 30.2	0.8740 22.2	1.3150 33.4	0.9535 24.22	0.0949 2.41	7.5	0.2952 7.5	0.1291 3.28	4.1929 106.5	0.3937 10	3/8 -24UNF M10X1.0	43550	29200	1.28
SER 211-35	2 3/16																	
SER 212-36 212	2 1/4	60	4.3307 110	2.5630 65.1	1.2520 31.8	1.0000 25.4	1.5630 39.7	1.0165 25.82	0.0949 2.41	7.5	0.2952 7.5	0.1291 3.28	4.5905 116.6	0.3937 10	3/8 -24UNF M10X1.0	47800	32800	1.71
SER 212-39	2 7/16																	

Ball Bearings (with eccentric locking collar)

SA 200 (light-duty)
Spherical O. D.

CSA 200 (light-duty)
Cylindrical O. D.

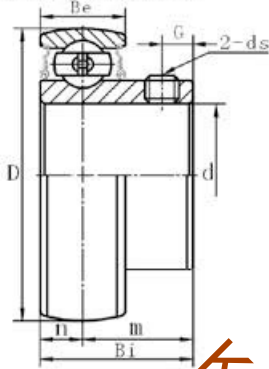
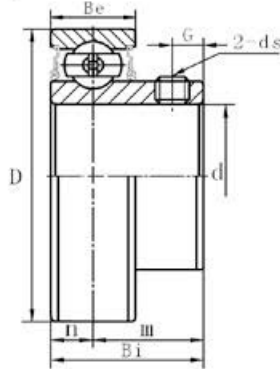
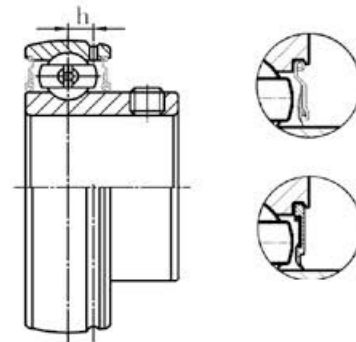
SA 200G
Relubricatable type



RS Seal
(+Suffix-2RS)

Bearing No.	Shaft Dia.		Dimensions (in.) or (mm)										Basic Dynamic Load Rating (N)	Basic Static Load Rating (N)	Weight (kg)	
	d	D	Be	D	B1	n	m	Bi	K	H	G	h				ds
SA 201 201-8	1/2	12	0.4724 12	1.5748 40	0.7520 19.1	0.2559 6.5	0.4461 12.6	1.1260 28.6	1.1260 28.6	0.5315 13.5	0.1968 5.0	0.1417 3.6	3/4 -28UNF M6 X1.0	9550	4780	0.12
SA 202 202-10	5/8	15	0.4724 12	1.5748 40	0.7520 19.1	0.2559 6.5	0.4461 12.6	1.1260 28.6	1.1260 28.6	0.5315 13.5	0.1968 5.0	0.1417 3.6	3/4 -28UNF M6 X1.0	9550	4780	0.10
SA 203 203-11	11/16	17	0.4724 12	1.5748 40	0.7520 19.1	0.2559 6.5	0.4461 12.6	1.1260 28.6	1.1260 28.6	0.5315 13.5	0.1968 5.0	0.1417 3.6	3/4 -28UNF M6 X1.0	9550	4780	0.09
SA 204-12 204	3/4	20	0.5512 14	1.8504 47	0.8465 21.5	0.2953 7.5	0.5512 14	1.2205 31.0	1.3110 33.3	0.5315 13.5	0.1968 5.0	0.1535 3.9	3/4 -28UNF M6 X1.0	12800	6650	0.15
SA 205-14 205 205-16	7/8 1	25	0.5996 15	2.0472 52	0.8465 21.5	0.2953 7.5	0.5512 14	1.2205 31.0	1.3110 33.3	0.5315 13.5	0.1968 5.0	0.1535 3.9	3/4 -28UNF M6 X1.0	14000	7880	0.22
SA 206-18 206 206-19 206-20	1 1/8 1 1/16 1 1/4	30	0.6299 16	2.4409 62	0.9370 23.8	0.3543 9	0.5827 14.8	1.4055 35.7	1.7520 44.5	0.6350 16.1	0.1968 5.0	0.1569 4.0	5/8 -24UNF M8 X1.0	19500	11200	0.3
SA 207-20 207-22 207 207-23	1 1/4 1 1/8 1 1/16	35	0.6693 17	2.8345 72	1.0000 25.4	0.3740 9.5	0.6260 15.9	1.5315 38.9	2.1890 55.6	0.6890 17.5	0.2559 6.5	0.2157 5.5	1 1/8 -24UNF M8 X1.0	25700	15200	0.50
SA 208-24 208-25 208	1 1/2 1 1/16	40	0.7087 18	3.1495 80	1.1890 30.2	0.4330 11	0.7559 19.2	1.7205 43.7	2.3740 60.3	0.7205 18.3	0.2559 6.5	0.2362 6.0	3/4 -24UNF M8 X1.0	29600	18200	0.67
SA 209-26 209-27 209 209-28	1 5/8 1 1/16 1 1/4	45	0.7480 19	3.3465 85	1.1890 30.2	0.4330 11	0.7559 19.2	1.7205 43.7	2.5000 63.5	0.7205 18.3	0.2559 6.5	0.2480 6.3	3/4 -24UNF M8 X1.0	31850	20800	0.64
SA 210-30 210-31 210	1 7/8 1 5/16	50	0.7874 20	3.5433 90	1.1890 30.2	0.4330 11	0.7559 19.2	1.7205 43.7	2.7520 69.9	0.7205 18.3	0.2559 6.5	0.2559 6.5	3/4 -24UNF M8 X1.0	35100	23200	0.72
SA 211-32 211-34 211 211-35	2 2 1/2 2 1/16	55	0.9055 23	3.9370 100	1.2795 32.5	0.4724 12	0.8032 20.5	1.9055 48.4	3.0000 76.2	0.8150 20.7	0.3150 8	0.2835 7.2	3/8 -24UNF M10 X1.0	43550	29200	1.00
SA 212-36 212 212-38 212-39	2 1/4 2 3/8 2 1/16	60	0.4449 24	4.3307 110	1.4646 37.2	0.5315 13.5	0.9331 23.7	2.0915 53.1	3.3150 84.2	0.8780 22.3	0.3150 8	0.3150 8	3/8 -24UNF M10 X1.0	47800	32800	1.3

Ball Bearings
(with setscrews)

 SB 200 (light-duty)
Spherical O. D.

 CSB 200 (light-duty)
Cylindrical O. D.

 SB 200G
Relubricatable type


Bearing No.	Shaft Dia.		Dimensions (in.) or (mm)							Basic Dynamic Load Rating (N)	Basic Static Load Rating (N)	Weight (kg)	
	d		Be	D	Bi	n	m	G	h				ds
	(in.)	(mm)											
SB 201 201-8	1/2	12	0.4724 12	1.5748 40	0.8661 22	0.2362 6.0	0.6299 16.0	0.1772 4.5	0.1417 3.6	10-32UNF M5 X0.8	9550	4780	0.10
SB 202 202-10	5/8	15	0.4724 12	1.5748 40	0.8661 22	0.2362 6.0	0.6299 16.0	0.1772 4.5	0.1417 3.6	10-32UNF M5 X0.8	9550	4780	0.10
SB 203 203-11	11/16	17	0.4724 12	1.5748 40	0.8661 22	0.2362 6.0	0.6299 16.0	0.1772 4.5	0.1417 3.6	10-32UNF M5 X0.8	9550	4780	0.10
SB 204-12 204	3/4	20	0.5512 14	1.8504 47	0.9843 25	0.2756 7.0	0.7087 18.0	0.1772 4.5	0.1535 3.9	1/4-28UNF M6 X1.0	12800	6650	0.15
SB 205-14 205 205-16	7/8 1	25	0.5906 15	2.0472 52	1.0630 27	0.2953 7.5	0.7677 19.5	0.1772 4.5	0.1535 3.9	1/4-28UNF M6 X1.0	14000	7880	0.18
SB 206-18 206 206-19 206-20	1 1/8 1 3/16 1 1/4	30	0.6299 16	2.4409 62	1.1811 30	0.3150 8.0	0.8661 22.0	0.2165 5.5	0.1417 3.6	1/4-28UNF M6 X1.0	19500	11200	0.27
SB 207-20 207-22 207 207-23	1 1/4 1 3/8 1 7/16	35	0.6693 17	2.8346 72	1.2598 32	0.3346 8.5	0.9252 23.5	0.2559 6.5	0.2165 5.5	5/16-24UNF M8 X1.0	25700	15200	0.42
SB 208-24 208	1 1/2	40	0.7087 18	3.1496 80	1.3386 34	0.3543 9.0	0.9843 25.0	0.2756 7.0	0.2362 6.0	5/16-24UNF M8 X1.0	29600	18200	0.60
SB 209-26 209-27 209 209-28	1 5/8 1 11/16 1 3/4	45	0.7480 19	3.3465 85	1.6220 41.2	0.4016 10.2	1.2205 31	0.3228 8.2	0.2480 6.3	5/16-24UNF M8 X1.0	31850	20800	0.80
SB 210-30 210-31 210 210-32	1 7/8 1 13/16 2	50	0.7874 20	3.5433 90	1.7126 43.5	0.4291 10.9	1.2835 32.6	0.3622 9.2	0.2559 6.5	5/16-24UNF M8 X1.0	35100	23200	0.83
SB 211-32 211-34 211 211-35	2 2 1/8 2 3/16	55	0.9055 23	3.9370 100	1.7835 45.3	0.4646 11.8	1.3189 33.5	0.3858 9.8	0.2835 7.2	5/16-24UNF M8 X1.0	43550	29200	1.1
SB 212 212-36	2 1/4	60	0.9449 24	4.3307 110	2.1142 53.7	0.5866 14.9	1.5276 38.8	0.3858 9.8	0.3150 8	3/8-24UNF M10X1.0	47800	32800	1.3

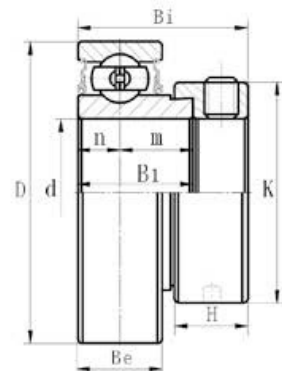
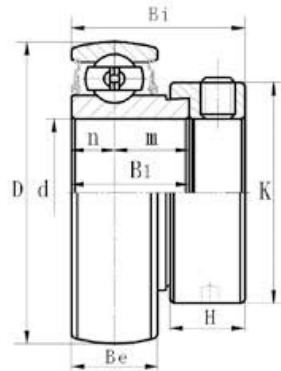


ΡΟΥΛΕΜΑΝ ΤΡΙΠΛΗΣ ΤΣΙΜΟΥΧΑΣ (R3) TYPE

Ball Bearings
(with eccentric collar)

SA 000 (light-duty)
Spherical O. D.

CSA 000 (light-duty)
CSA 100 (light-duty)
Cylindrical O. D.



Roll edge adhesive seal



RS Seal
(+Suffix-2RS)

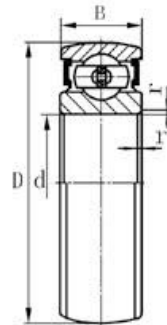
Bearing No.	Shaft Dia.		Dimensions (in.) or (mm)							Basic Dynamic Load Rating (N)	Basic Static Load Rating (N)	Weight (kg)	
	d		Be	B1	n	m	Bi	K	H				
	(in.)	(mm)											
SA 004-12 004	3/4	20	0.4724 12	1.6535 42	0.6354 16.27	0.2362 6.0	0.4219 10.7	0.9685 24.6	1.1719 29.8	0.4370 11.1	9380	5020	0.12
CSA 104-12	3/4		0.4724 12	1.6535 42	0.6354 16.14	0.2362 6.0	0.3976 10.1	1.0402 26.42	1.2992 33.0	0.5197 13.2	9380	5020	0.12
SA 005-14 005 005-16	7/8 1	25	0.4724 12	1.8504 47	0.6890 17.5	0.2362 6.0	0.4328 11.0	1.0000 25.4	1.4213 36.1	0.4685 11.9	10000	5850	0.15
SA 006-18 006 006-19 006-20	1 1/8 1 3/16 1 1/4	30	0.5118 13	2.1654 55	0.7283 18.5	0.2559 6.5	0.4724 12.0	1.0433 26.5	1.6392 42.5	0.4685 11.9	13200	8300	0.28

Note: Prefix "C" - Cylindrical O. D. .

ΚΟΥΡΟΠΗΚΗ ΡΟΛΛΕΡ ΜΑΚΟΠΟΥΛΟΣ

Spherical Radial
Ball Bearings

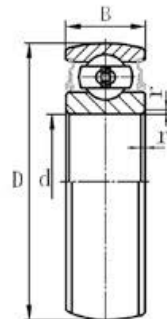
CS 200 Series
CS 300 Series



CS2-2RS Series and
CS3-2RS Series

Bearing No.	Dimensions (mm)				Basic Dynamic Load Rating (N)	Basic Static Load Rating (N)	Weight (kg)
	d	D	B	r (min.)	Dynamic Cr	Static Cor	
CS201	12	30	10	0.6	6800	3050	0.04
CS202	15	35	11	0.6	7650	3720	0.04
CS203	17	40	12	0.6	9580	4780	0.06
CS204	20	47	14	1	12800	6650	0.10
CS205	25	52	15	1	14000	7880	0.11
CS305		62	17	1.1	22200	11500	0.20
CS206	30	62	16	1	19500	11500	0.18
CS306		72	19	1.1	27000	15200	0.30
CS207	35	72	17	1.1	25500	15200	0.25
CS307		80	21	1.5	33200	19200	0.40
CS208	40	80	18	1.1	29500	18000	0.32
CS308		90	23	1.5	40800	24000	0.62
CS209	45	85	19	1.1	31500	20800	0.37
CS309		100	25	1.5	52800	31500	0.81
CS210	50	90	20	1.1	35000	23200	0.41
CS310		110	27	2	61800	38000	1.05

ORAE SERIES



ORAE Series

Bearing NO.	Dimensions (mm)				Basic Dynamic Load Rating (N)	Basic Static Load Rating (N)	Weight (kg)
	d	D	B	r (min.)	Dynamic Cr	Static Cor	
ORAE20PPB	20	47	14	0.6	12800	6650	0.10
ORAE30PPB	30	62	18	1	19500	11500	0.21
ORAE40PPB	40	80	22	1.1	29500	18200	0.38

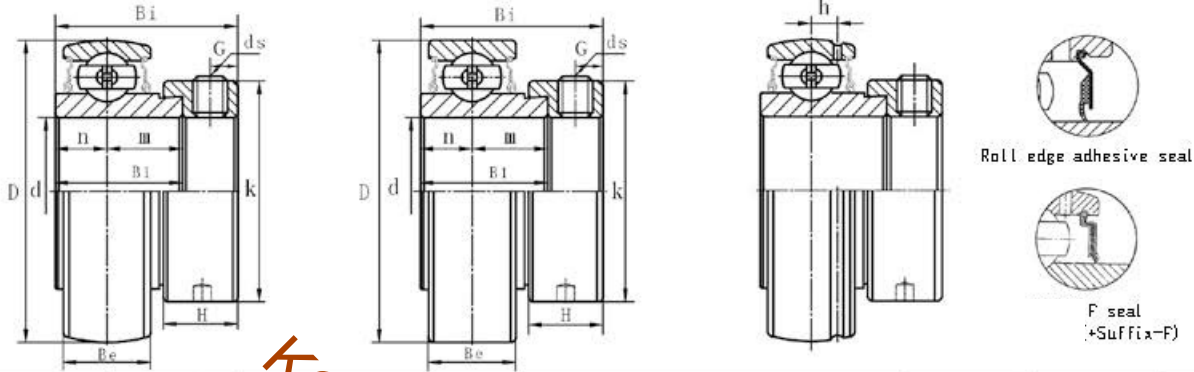
ΡΟΥΛΕΜΑΝ ΤΡΙΠΛΗΣ ΤΣΙΜΟΥΧΑΣ (R3) TYPE

Ball Bearings
(with eccentric locking collar)

GRA 200 (light-duty)
Spherical O. D.

RA 200 (light-duty)
Cylindrical O. D.

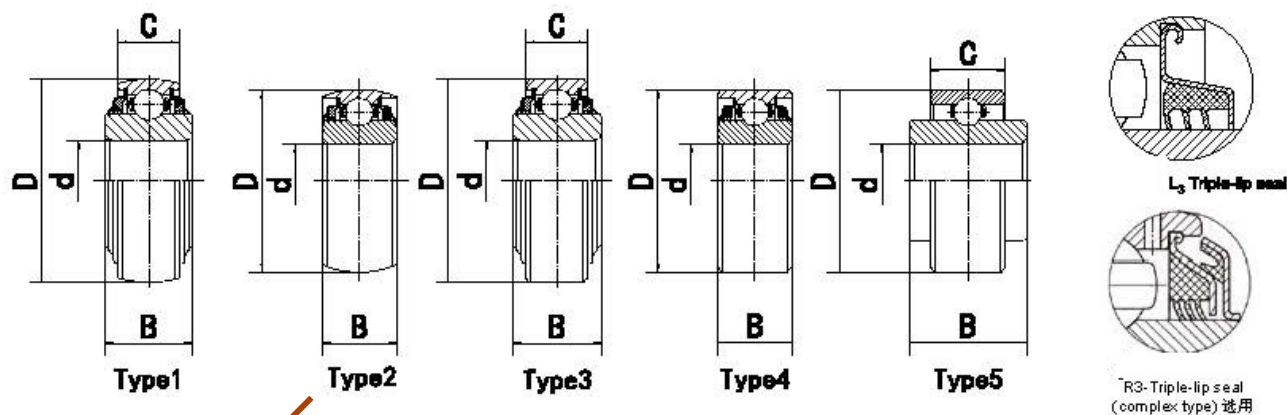
GRA 200G
Relubricatable type



Bearing No.	Shaft Dia.		Dimensions (in.) or (mm)										Basic Dynamic Load Rating (N)	Basic Static Load Rating (N)	Weight (kg)
	d (in.)	d (mm)	Be	D	n	m	Bi	H	G	h	ds				
GRA 201 RA 201-8	1/2	12	0.4724 12	1.5748 40	0.7520 19.1	0.2559 6.5	0.4901 12.5	1.1260 28.6	1.1260 28.6	0.1968 5.0	0.1417 3.6	1/4-28UNF M6 X 1.0	9550	4780	0.13
GRA 202 RA 202-10	5/8	15	0.4724 12	1.5748 40	0.7520 19.1	0.2559 6.5	0.4901 12.5	1.1260 28.6	1.1260 28.6	0.5318 13.5	0.1417 3.6	1/4-28UNF M6 X 1.0	9550	4780	0.13
GRA 203 RA 203-11	11/16	17	0.4724 12	1.5748 40	0.7520 19.1	0.2559 6.5	0.4901 12.5	1.1260 28.6	1.1260 28.6	0.5318 13.5	0.1417 3.6	1/4-28UNF M6 X 1.0	9550	4780	0.13
GRA 204-12 RA 204	3/4	20	0.5512 14	1.8504 47	0.8465 21.5	0.2953 7.5	0.5511 14	1.2205 31.0	1.2205 31.0	0.5318 13.5	0.1535 3.9	1/4-28UNF M6 X 1.0	12800	6650	0.15
GRA 205-14 RA 205 205-16	7/8	25	0.5906 15	2.0472 52	0.8465 21.5	0.2953 7.5	0.5511 14	1.2205 31.0	1.5000 38.1	0.1968 5.0	0.1535 3.9	1/4-28UNF M6 X 1.0	14000	7880	0.22
GRA 206-18 RA 206 206-19 206-20	1 1/8	30	0.70866 18	2.4409 62	0.9370 23.8	0.3543 9.0	0.5826 14.8	1.4955 35.7	1.7520 44.5	0.6260 15.9	0.2362 6.0	5/16-24UNF M8 X 1.0	19500	11200	0.3
GRA 207-20 RA 207-22 207 207-23	1 1/4	35	0.7180 19	2.8346 72	1.0000 25.4	0.3740 9.5	0.6260 15.9	1.5315 38.9	2.1890 55.6	0.6890 17.5	0.2559 6.5	5/16-24UNF M8 X 1.0	25700	15200	0.50
GRA 208-24 RA 208-25 208	1 1/2	40	0.8268 21	3.1496 80	1.1890 30.2	0.4331 11	0.7559 19.2	1.7205 43.7	2.3740 60.3	0.7205 18.3	0.2559 6.5	5/16-24UNF M8 X 1.0	29600	18200	0.67
GRA 209-26 RA 209-27 209 209-28	1 5/8	45	0.8661 22	3.3465 85	1.1890 30.2	0.4331 11	0.7559 19.2	1.7205 43.7	2.5000 63.5	0.7205 18.3	0.2559 6.5	5/16-24UNF M8 X 1.0	31850	20800	0.73
GRA 210-30 RA 210-31 210	1 3/4	50	0.8661 22	3.5433 90	1.1890 30.2	0.4331 11	0.7559 19.2	1.7205 43.7	2.7520 69.9	0.7205 18.3	0.2559 6.5	5/16-24UNF M8 X 1.0	35100	23200	0.83
GRA 211-32 RA 211-34 211 211-35	2	55	0.9419 24	3.9370 100	1.2795 32.5	0.4724 12	0.8071 20.5	1.9055 48.4	3.0000 76.2	0.8150 20.7	0.3150 8	3/8-24UNF M10 X 1	43550	29200	0.87
GRA 212-36 RA 212 212-38 212-39	2 1/4	60	0.9419 24	4.3307 110	1.4646 37.2	0.5315 13.5	0.9331 23.7	2.0905 53.1	3.3150 84.2	0.8780 22.3	0.3150 8	3/8-24UNF M10 X 1	47800	32800	1.3

ΡΟΥΛΕΜΑΝ ΤΡΙΠΛΗΣ ΤΣΙΜΟΥΧΑΣ (R3) TYPE

Round Bore Non Re-lubrication Bearing



Bearing NO.	Type	Dimensions (in./mm)				Dynamic load ratings (N)	Static load ratings (N)	Weight (kg)
		d	D	C	B			
W204PP	4	0.7874 20	1.8504 47.00	0.8118 20.62	0.8118 20.62	12800	6650	0.15
W205PP	4	0.9843 25.00	2.0472 52.00	0.8118 20.62	0.8118 20.62	14000	7850	0.16
W206PP	4	1.1811 30.00	2.1410 62.00	0.9382 23.83	0.9382 23.83	19450	11250	0.28
W207PP	4	1.3780 35.00	2.8346 72.00	1.0618 26.97	1.0618 26.97	25700	15200	0.34
W208PP7	3	1.1882 30.18	3.1496 80.00	0.7087 18.00	1.1890 30.20	29500	18100	0.56
W208PP8	3	1.1260 28.60	3.1496 80.00	1.1882 30.18	1.4374 36.51	29500	18100	0.57
W208PP10	3	1.1854 38.11	3.1496 80.00	0.8268 21.00	1.6878 42.87	29500	18100	0.68
W208PPB10	1	1.5005 38.11	3.1496 80.00	0.8268 21.00	1.6878 42.87	29500	18100	0.82
W210PP2	4	1.9380 49.23	3.5433 90.00	1.1890 30.2	1.1890 30.2	35000	23200	0.67
W210PP8	4	1.5300 38.86	3.5433 90.00	1.1890 30.2	1.1890 30.2	35000	23200	0.85
W210PP10	4	1.9384 49.23	3.5433 90.00	1.1882 30.18	1.1882 30.18	35000	23200	0.87
W211PP2	4	2.1800 55.58	3.9370 100	1.3110 33.3	1.3110 33.3	43300	29200	1.05
W211PP4	5	2.1882 55.58	3.9370 100	1.3110 33.3	2.1874 55.56	43300	29200	1.15
W211PP54	5	2.0643 52.41	3.9370 100	0.8268 21.00	2.1874 55.56	43300	29200	1.22
W214PP2	4	2.7559 70	4.9213 125	1.5630 39.7	1.5630 39.7	62100	44800	1.91
WIR210-31	5	1.9370 49.2	2.5430 90	0.7870 20	1.9370 49.2	35000	23200	0.75
WIR211-33	5	2.0630 52.39	3.9370 100	0.8270 21	2.1890 56.6	43300	29200	1.15
WIR212-39	5	2.4370 61.91	4.3310 110	0.8660 22	2.4370 61.9	47700	32800	1.25