



Premium Quality
BALL BEARING UNITS
AGRICULTURAL BEARINGS



ISO9001:2015 质量认证



PREMIUM QUALITY BEARINGS

				
UC	HC	UK	SA	SB
UC	UBL	UK	UE	UB
UC..D1	UEL..D1W3	UK..D1	AEL..W3	AS
UC	NA	UK	SA	SB
UC	EW	UK	EN	UB
UC	UG..+ER	UK	KH..+ER	B
G(N)YE..KRRB	G(N)E..KRRB		RAE..NPPB	AY..NPPB
YAR..2F	YEL..2F		YET	
10..G	10..DECG	10..KG	12..BC	12
UC	HC		FH	FHS
UCP2	HCP2	UKP2+H	SAP2	SBP2
UCP2	UELP2	UKP2+H		
UCP2..D1	UELP2..D1W3	UKP2..D1;H		
UCP2	NAP2	UKP2		
UCP2	EWP2	UKP2+H		UBP2..JG00
UCP2		UKP2+H		BP2
RASEY	RASE		PASE	PASEY
SY..TF	SY..WF		SY..FM	
NP	NP..DEC	NP10..K	NP..BC	NP..A
UCP2	HCP2	UKP2+H	FHP2	FHSP2
UCPX				
UCPX..D1				
UCPX				
UCPX				
MP				
UCPX				
UCP3	HCP3	UKP3+H		
UCP3	UELP3	UKP3+H		
UCP3..D1	UELP3..D1W3	UKP3..D1;H		
UCP3		UKP3		
UCP3	EWP3	UKP3+H		
UCP3		UKP3+H		
RSAOY	RSAO			
UCPK2	HCPK2			
UCPL2..D1	UBLPL2..D1W3			
SL2				
UCPK2				
UCLP2				
SL	SL..DEC			
UCLP2	HCLP2			

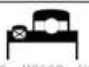


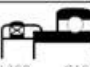


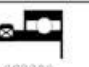


























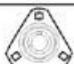


PREMIUM QUALITY BEARINGS

	LP2
	LP2
	LP2
	LLP2
	PWC2
	PH2
	PH2
	HP2..D1
	PH2
	PH2
	PA2
	PA2
	UP2..D1
	PA2
	PA2
	PA2..A
	SHE
	SYF
	SNP
	PAS2
	PP2
	PP2
	PP2
	PP2..F
	PP2
	PP2
	GEH..BT
	P
	LPB
	PP..Z-IL
	F2
	F2..D1
	F2
	F2
	F2
	FX
	FX..D1
	FX
	FX
	MSF
F2	

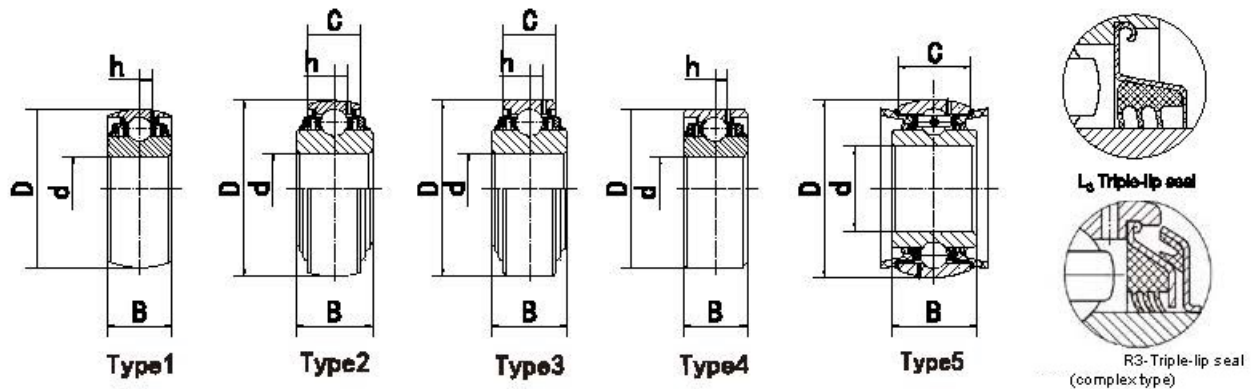
			SALP2	SBLP2
			ALP2	BLP2
			ENLP2	UBLP2
				BLLP2
			FHPWC2	FHSPWC2
UCPH2				
UCPH2				
UCHP2..D1				
UCPH2				
UCPH2				
UCPH2				
UCPA2				
UCPA2				
UCUP2..D1				
UCPA2				
UCPA2				
UCPA2				
UCPA2				
UCPA2..A				
RSHEY				
SYF..TF				
SNP				
UCPAS2				
			SAPP2	SBPP2
			UEPP2	UBPP2
			AELPP2..W3	ASPP2
			SAPP2..F	SBPP2..F
			ENPP2	UBPP2
				BPP2
			PB	PBY
			P..FM	
			LPB..BC	LPB..A
			FHPPZ..IL	FHSPPZ..IL
UCF2	HCF2	UKF2+H	SAF2..G	SBF2
UCF2..D1	UELF2..D1W3	UKF2..D1;H		
UCF2		UKF2		
UCF2	EWf2	UKF2+H		UBF2..JG00
UCF2		UKF2+H		BF2
UCF2			FHF2	FHSF2
UCFX				
UCFX..D1				
UCFX				
UCFX				
MSF				
UCFX				

BEARINGS AND HOUSINGS MATCHING TABLE

Bearings Housings		Setscrew type		Eccentric Locking Collar type		Adapter Sleeve Locking type	Other types	
		 UC200 UC300 UCX00	 SB100	 HC200 HC300	 SA200 SA300	 UK200 UK300 UKX00	 CSA200 CSA100	 CSB200
	P200 P300 PX00 LLP200	UCP200 UCP300 UCPX00	SBP200G SBLLP200G	HCP200 HCP300	SAP200G SALLP200G	UKP200 UKP300 UKPX00		
	F200 F300 FX00 FS200	UCF200 UCF300 UCFX00 UCFS200	SBF200G	HCF200 HCF300 HCF3200	SAP200G	UKF200 UKF300 UKFX00		
	FL200 FL300 FLX00 FT200	UCFL200 UCFL300 UCFLX00 UCFT200	SBFL200G	HCFL200 HCFL300 HCFT200	SAPFL200G	UKFL200 UKFL300 UKFLX00		
	IP200 IP300	UCIP200 UCIP300				UKIP200 UKIP300		
	T200 T300 TX00	UCT200 UCT300 UCTX00		HCT200 HCT300		UKT200 UKT300 UKTX00		
	FC200 FCX00	UCFC200 UCFCX00		HCFC200		UKFC200 UKFCX00		
	FS300	UCFS300		HCFS300		UKFS300		
	PH200	UCPH200		HCPH200		UKPH200		
	PA200 PW200 PG200	UCPA200 UCPW200 UCPG200		HCPA200		UKPA200		
	HA200	UCHA200		HCHA200		UKHA200		
	FB200	UCFB200		HCFB200		UKFB200		
	FA200	UCFA200		HCFA200		UKFA200		
	C200 C300 CX00	UCC200 UCC300 UCCX00		HCC200		UKC200 UKC300 UKCX00		
	LF200		SBLF200G		SALF200G			
	FD200		SBFD200G		SAPFD200G			
	PFTD200		SBPFD200G		SAPFD200G			
	FCT200		SBFCT200G		SAPFCT200G			
	PP200		SBPP200		SAPP200			
	PF200		SBPF200		SAPPF200			
	PFL200		SBPFL200		SAPFL200			
	PFT200		SBPFT200		SAPFT200			

ΡΟΥΛΕΜΑΝ ΤΡΙΠΛΗΣ ΤΣΙΜΟΥΧΑΣ (R3) TYPE

Round Bore Re-lubrication Bearing



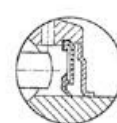
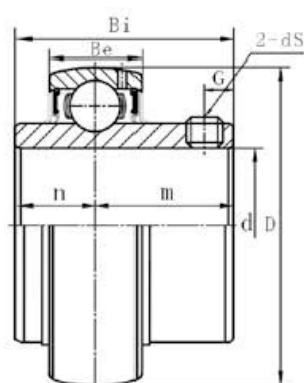
Bearing NO.	Type	Dimensions (In./mm)					Dynamic load ratings (N)	Static load ratings (N)	Weight (kg)
		d	D	C	B	h			
GW209PPB30	3	1.7701	3.4921	1.25	1.6870	0.2598	32700	20900	0.60
		44.96	88.70	31.75	42.85	6.6			
GW210PP3	4	1.4766	3.5433	1.1890	1.1890	0.2598	35000	23200	1.03
		37.53	90.00	30.2	30.2	6.6			
GW210PP9	3	1.9567	3.5433	0.9055	1.4370	0.2598	35000	23200	0.84
		49.70	90.00	23.00	36.5	6.6			
GW211PP2	4	2.1890	3.9370	1.3126	1.3126	0.2992	43300	29200	0.88
		55.58	100	33.3	33.3	7.60			
GW211PP4	4	1.7701	3.9370	1.3125	1.3125	0.2992	43300	29200	0.88
		42.16	100	33.34	33.34	7.6			
GW211PP9	3	2.1949	3.9370	0.9840	1.5630	0.2992	43300	29200	0.75
		55.75	100	25.00	39.7	7.6			
GW211PP13	3	1.7850	3.9370	0.9843	1.3125	0.2992	43300	29200	0.92
		45.34	100	25.00	33.34	7.6			
GW211PPB20	5	2.1949	3.9370	1.2992	1.5748	0.3189	43300	29200	1.05
		55.75	100	33.34	40.00	8.1			
GW211PP21	3	1.7800	3.9803	1.4382	2.1248	0.2992	43300	29200	1.00
		45.21	101.1	36.53	53.97	7.6			
GW211PP25	3	2.0200	3.9370	1.3125	2.3740	0.2992	43300	29200	1.00
		51.31	100	33.34	60.30	7.60			
GW214PP2	4	2.7559	4.9213	1.5630	1.5630	0.3543	62100	44800	1.91
		70.00	125	39.7	39.7	9.00			



ΡΟΥΛΕΜΑΝ ΤΡΙΠΛΗΣ ΤΣΙΜΟΥΧΑΣ (R3) TYPE

Ball Bearings
(with setscrews)

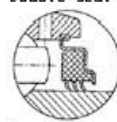
UC 300 (heavy-duty)



Double seal



R3-Triple-lip seal
(complex type) (選用 Option)



Triple-lip seal
R3 (+Suffix-R3)



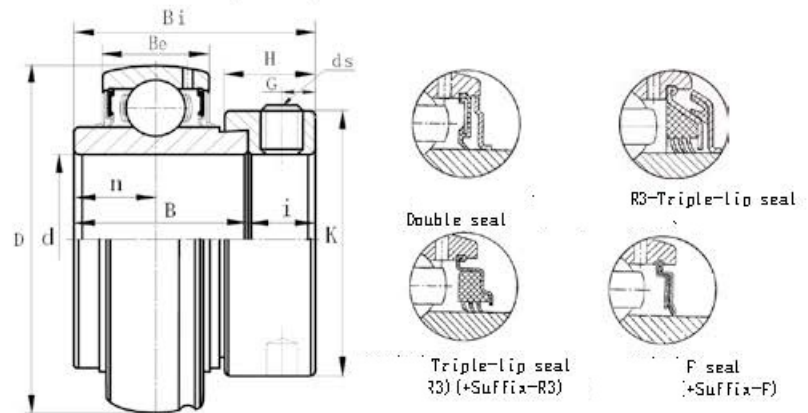
F seal
(+Suffix-F)

Bearing No.	Shaft Dia.		Dimensions (in.) or (mm)							Basic Dynamic Load Rating (N)	Basic Static Load Rating (N)	Weight (kg)
	(in.)	(mm)	D	Bi	Be	n	m	G	ds			
UC 305 305-16	1	25	2.4409 62	1.4961 38	0.8268 21	0.5905 15	0.9055 23	0.2362 6	1/8-28UNF M6X1.0	22360	11500	0.45 0.44
UC 306-18 306 306-20	1 1/8 1 1/4	30	2.8346 72	1.6929 43	0.9055 23	0.6693 17	1.0236 26	0.2362 6	1/8-28UNF M6X1.0	27000	15200	0.58 0.56
UC 307-20 307-22 307	1 1/4 1 3/8	35	3.1496 80	1.8897 48	1.0236 26	0.7480 19	1.1417 29	0.3150 8	5/16-24UNF M8X1.0	33500	19200	0.77 0.71 0.71
UC 308-24 308	1 1/2	40	3.5433 90	2.0472 52	1.1024 28	0.7480 19	1.2992 33	0.3937 10	3/8-24UNF M10X1.0	40560	24000	1.05 1.00
UC 309-28 309	1 3/4	45	3.9370 100	2.2441 57	1.1811 30	0.8661 22	1.3780 35	0.3937 10	3/8-24UNF M10X1.0	53000	31800	1.35 1.33
UC 310-31 310 310-32	1 13/16 2	50	4.3307 110	2.4015 61	1.2595 32	0.8661 22	1.5354 39	0.4724 12	1/2-20UNF M12X1.25	61750	37800	1.72 1.69
UC 311-32 311	2	55	4.7244 120	2.5984 66	1.3386 34	0.9842 25	1.6142 41	0.4724 12	1/2-20UNF M12X1.25	71500	44800	2.08 1.90
UC 312 312-36	2 1/4	60	5.1181 130	2.7953 71	1.4173 36	1.0236 26	1.7717 45	0.4724 12	1/2-20UNF M12X1.25	81600	51800	2.60
UC 313-40 313	2 1/2	65	5.5118 140	2.9528 75	1.4961 38	1.1881 30	1.7717 45	0.4724 12	1/2-20UNF M12X1.25	93860	60500	3.24 3.16
UC 314-44 314	2 3/4	70	5.9055 150	3.0709 78	1.5748 40	1.2992 33	1.7717 45	0.4724 12	1/2-20UNF M12X1.25	104260	68000	3.91 3.90
UC 315 315-48	3	75	6.2992 160	3.2283 82	1.6535 42	1.2598 32	1.9685 50	0.5512 14	5/16-18UNF M14X1.5	113360	76800	4.70 4.61
UC 316 316-50	3 1/8	80	6.6929 170	3.3858 86	1.7323 44	1.3386 34	2.0472 52	0.5512 14	5/16-18UNF M14X1.5	122850	86500	5.60
UC 317 317-52	3 1/4	85	7.0866 180	3.7795 96	1.8110 46	1.5748 40	2.2047 56	0.6299 16	5/8-18UNF M16X1.5	132600	96500	6.90
UC 318-56 318	3 1/2	90	7.4803 190	3.7795 96	1.8898 48	1.5748 40	2.2047 56	0.6299 16	5/8-18UNF M16X1.5	143000	108000	8.03 7.87
UC 319		95	7.8740 200	4.0551 103	1.9685 50	1.6142 41	2.4409 62	0.6299 16	5/8-18UNF M16X1.5	156000	122000	8.91
UC 320 320-64	4	100	8.4646 215	4.2519 108	2.2160 54	1.6535 42	2.5984 66	0.7087 18	5/8-18UNF M18X1.5	171600	140000	11.2 11.0
UC 322		110	9.4488 240	4.6063 117	2.3622 60	1.8110 46	2.7953 71	0.7874 20	5/8-18UNF M18X1.5	158000	178000	15.1
UC 324		120	10.2362 260	4.9606 126	2.5197 64	2.0079 51	2.9527 75	0.7874 20	5/8-18UNF M18X1.5	175000	208000	19.0
UC 326		130	11.0236 280	5.3150 135	2.6772 68	2.1260 54	3.1890 81	0.7874 20	1-16UNF M20X1.5	195000	242000	23.6
UC 328		140	11.8110 300	5.7086 145	2.8346 72	2.3228 59	3.3858 86	0.7874 20	1-16UNF M20X1.5	212000	272000	29.4

ΡΟΥΛΕΜΑΝ ΤΡΙΠΛΗΣ ΤΣΙΜΟΥΧΑΣ (R3) TYPE

Ball Bearings
(with eccentric locking collar)

HC 300 (heavy-duty)

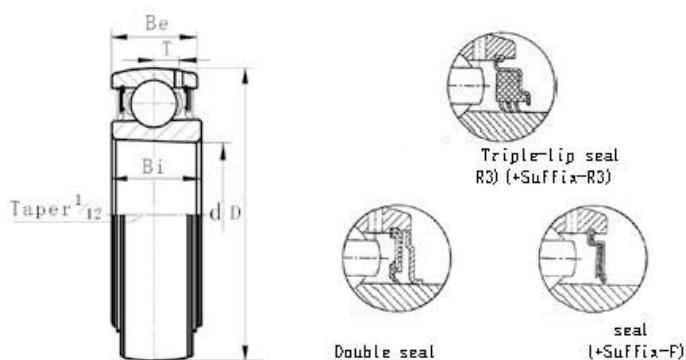


Bearing No.	Shaft Dia.		Dimensions (in.) or (mm)									Basic Dynamic Load Rating (N)	Basic Static Load Rating (N)	Weight (kg)	
	d (in.)	d (mm)	D	Bi	Be	n	B	i	K	H	G				ds
HC 305-14 305-15 305 305-16	$1\frac{1}{8}$ $1\frac{1}{8}$ 1	25	2.4409 62	1.8425 46.8	0.8268 21	0.6076 16.7	1.3740 34.9	0.4685 11.9	1.6850 42.8	0.6260 15.9	0.2362 6	$\frac{1}{4}$ -24UNF M8X1.0	22360	11500	0.46 0.44 0.43 0.43
HC 306-18 306 306-20	$1\frac{1}{4}$ $1\frac{1}{4}$ $1\frac{1}{4}$	30	2.8146 72	1.9685 50	0.9055 23	0.6890 17.5	1.4370 36.5	0.5315 13.5	1.9685 50	0.6890 17.5	0.2638 6.7	$\frac{1}{4}$ -24UNF M8X1.0	27000	15200	0.71 0.68 0.68
HC 307-20 307-21 307-22 307 307-23	$1\frac{1}{4}$ $1\frac{1}{4}$ $1\frac{1}{4}$ $1\frac{1}{4}$ $1\frac{1}{4}$	35	3.1496 80	2.0315 51.6	1.0236 26	0.7205 18.3	1.5000 38.1	0.5315 13.5	2.1654 55	0.6890 17.5	0.2638 6.7	$\frac{1}{4}$ -24UNF M8X1.0	33500	19200	0.86 0.83 0.80 0.80 0.78
HC 308-24 308-25 308	$1\frac{1}{2}$ $1\frac{1}{2}$ $1\frac{1}{2}$	40	3.5433 90	2.2480 57.1	1.1024 28	0.7795 19.8	1.6260 41.3	0.6220 15.8	2.5090 63.5	0.8110 20.6	0.3150 8	$\frac{1}{4}$ -24UNF M10X1.0	40560	24000	1.13 1.13 1.08
HC 309-26 309-27 309-28 309	$1\frac{1}{2}$ $1\frac{1}{2}$ $1\frac{1}{2}$ $1\frac{1}{2}$	45	3.9370 100	2.3110 58.7	1.1811 30	0.7795 19.8	1.6880 42.9	0.6220 15.8	2.7559 70	0.8110 20.6	0.3150 8	$\frac{1}{4}$ -24UNF M10X1.0	53000	31800	1.57 1.52 1.47 1.45
HC 310-30 310-31 310 310-32	$1\frac{1}{2}$ $1\frac{1}{2}$ $1\frac{1}{2}$ 2	50	4.3307 110	2.6220 66.6	1.2595 32	0.9685 24.6	1.9370 49.2	0.6850 17.4	3.9090 76.2	0.8740 22.2	0.3425 8.7	$\frac{1}{4}$ -24UNF M10X1.0	61750	37800	1.93 1.88 1.86 1.81
HC 311-32 311-34 311 311-35	2 $2\frac{1}{8}$ $2\frac{1}{8}$ $2\frac{1}{8}$	55	4.7244 120	2.8740 73	1.3386 34	1.0945 27.8	2.1890 55.6	0.6850 17.4	3.2677 83	0.8740 22.2	0.3543 9	$\frac{1}{4}$ -24UNF M10X1.0	71500	44800	2.49 2.36 2.30 2.24
HC 312-36 312 312-38 312-39	$2\frac{1}{4}$ $2\frac{1}{4}$ $2\frac{3}{8}$ $2\frac{1}{2}$	60	5.1181 130	3.1260 79.4	1.4373 36	1.2185 30.95	2.4370 61.9	0.6890 17.5	3.5039 89	0.9409 23.9	0.3543 9	$\frac{1}{4}$ -20UNF M10X1.0	81600	51800	2.95 2.89 2.89 2.86
HC 313-40 313	$2\frac{1}{2}$	65	5.5118 140	3.3740 85.7	1.4961 38	1.2795 32.55	2.5630 65.1	0.8110 20.6	3.8189 97	1.0630 27	0.4528 11.5	$\frac{1}{4}$ -20UNF M12X1.5	93860	60500	3.85 3.66
HC 314-44 314	$2\frac{3}{4}$	70	5.9056 150	3.6260 92.1	1.5748 40	1.3445 34.15	2.6890 68.3	0.9370 23.8	4.9157 102	1.1850 30.2	0.4724 12	$\frac{1}{2}$ -20UNF M12X1.25	104260	68000	4.40 4.50
HC 315 315-48	3	75	6.2992 160	3.9370 100	1.6535 42	1.4685 37.3	2.9370 74.6	1.0000 25.4	4.4488 113	1.2520 31.8	0.5118 13	$\frac{1}{2}$ -18UNF M16X1.5	113360	76800	5.34 5.34
HC 316 316-50	$3\frac{1}{8}$	80	6.6929 170	4.1890 106.4	1.7323 44	1.5945 40.5	3.1890 81	1.0900 25.4	4.6850 119	1.2520 31.8	0.5118 13	$\frac{1}{2}$ -18UNF M16X1.5	122850	86500	6.70
HC 317 317-52	$3\frac{1}{4}$	85	7.0866 180	4.3110 109.5	1.8110 46	1.6835 42.05	3.3110 84.1	1.0000 25.4	5.9090 127	1.2520 31.8	0.5118 13	$\frac{1}{2}$ -18UNF M16X1.5	132600	96500	8.03 7.96
HC 318-56 318	$3\frac{1}{2}$	90	7.4803 190	4.5630 115.9	1.8898 48	1.7165 43.5	3.4370 87.3	1.1260 28.6	5.2362 133	1.4370 36.5	0.5709 14.5	$\frac{1}{2}$ -16UNF M16X1.5	143000	108000	9.10 9.10
HC 319 319-60	$3\frac{3}{4}$	95	7.8740 200	4.8150 122.3	1.9685 50	1.8425 46.8	3.6890 93.7	1.1260 28.6	5.5118 140	1.4370 36.5	0.5709 14.5	$\frac{1}{2}$ -16UNF M20X1.5	156000	122000	10.4
HC 320 320-64	4	100	8.4646 215	5.0630 128.6	2.2160 51	1.9685 50	3.9370 100	1.1260 28.6	5.7480 146	1.4370 36.5	0.5709 14.5	$\frac{1}{2}$ -16UNF M20X1.5	171600	140000	13.0 13.0

ΡΟΥΛΕΜΑΝ ΤΡΙΠΛΗΣ ΤΣΙΜΟΥΧΑΣ (R3) ΤΥΠΕ

UK Ball Bearings
(with tapered bore)

UK 200 (normal-duty)

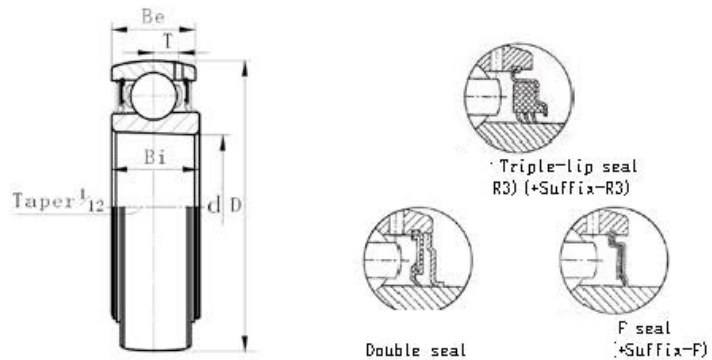


Bearing No.	Shaft Dia.	Dimensions (in.) or (mm)					Basic Dynamic Load Rating (N)	Basic Static Load Rating (N)	Weight (kg)
	d (mm)	D	Bi	Be	Bi (TRL)	T			
UK 205	25	2.0472 52	0.9055 23	0.6693 17	0.9449 24	0.1654 4.2	14000	7880	0.16
UK 206	30	2.4409 62	1.0236 26	0.7480 19	1.0630 27	0.2047 5.2	19500	11200	0.25
UK 207	35	2.8346 72	1.1024 28	0.7874 20	1.1811 30	0.2323 5.9	25700	15200	0.37
UK 208	40	3.1496 80	1.1417 29	0.8267 21	1.3386 34	0.2441 6.2	29600	18200	0.47
UK 209	45	3.3465 85	1.2205 31	0.8661 22	1.4173 36	0.2598 6.6	31850	20800	0.52
UK 210	50	3.5433 90	1.2205 31	0.9149 24	1.4173 36	0.2559 6.5	35100	23200	0.59
UK 211	55	3.9370 100	1.3780 35	0.9843 25	1.5748 40	0.2756 7.0	43550	29200	0.80
UK 212	60	4.3307 110	1.4173 36	1.0630 27	1.8504 47	0.2992 7.6	47800	32800	1.02
UK 213	65	4.7244 120	1.4173 36	1.1024 28	1.8504 47	0.3346 8.5	57200	40000	1.34
UK 214	70	4.9212 125	1.4567 37	1.1417 29	1.8898 48	0.3504 8.9	44000	34010	1.20
UK 215	75	5.1181 130	1.6142 41	1.1811 30	2.0079 51	0.3543 9.0	66000	49500	1.50
UK 216	80	5.5118 140	1.7323 44	1.2992 33	2.1654 55	0.4016 10.2	71500	54200	1.96
UK 217	85	5.9055 150	1.8110 46	1.4173 36	2.2441 57	0.4055 10.3	83200	63800	2.42
UK 218	90	6.2992 160	1.8898 48	1.4567 37	2.4803 63	0.4409 11.2	95900	71500	3.00

ΡΟΥΛΕΜΑΝ ΤΡΙΠΛΗΣ ΤΣΙΜΟΥΧΑΣ (R3) TYPE

UK Ball Bearings
(with tapered bore)

UK X00 (medium-duty)

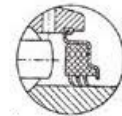
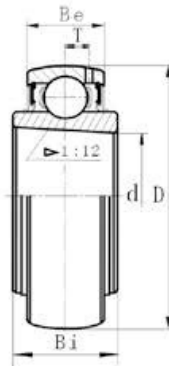


Bearing No.	Shaft Dia.	Dimensions (in.) or (mm)				Basic Dynamic Load Rating (N)	Basic Static Load Rating (N)	Weight (kg)
	d (mm)	D	Bi	Be	T			
UK X05	25	2.4409 62	1.0236 26	0.7480 19	0.2008 5.1	19500	11300	0.37
UK X06	30	2.8346 72	1.0630 27	0.7874 20	0.2283 5.8	25700	15300	0.59
UK X07	35	3.1496 80	1.1417 29	0.8267 21	0.2441 6.2	29500	18100	0.75
UK X08	40	3.3465 85	1.1811 30	0.8661 22	0.2559 6.5	31600	20600	0.86
UK X09	45	3.5433 90	1.2205 31	0.9055 23	0.2559 6.5	35000	23200	0.94
UK X10	50	3.9370 100	1.2992 33	0.9449 24	0.2874 7.3	43500	29200	1.34
UK X11	55	4.3307 110	1.4173 36	1.0336 26	0.3031 7.7	47700	32900	1.67
UK X12	60	4.7244 120	1.4960 38	1.0630 27	0.3268 8.3	57500	40000	1.89
UK X13	65	4.9212 125	1.5748 40	1.1417 29	0.3425 8.7	60800	45000	2.09
UK X15	75	5.5118 140	1.7323 44	1.2598 32	0.3780 9.6	71500	54200	3.25
UK X16	80	5.9055 150	1.8110 46	1.3386 34	0.4134 10.5	83500	64600	3.86
UK X17	85	6.2992 160	1.9291 49	1.4173 36	0.4370 11.1	96000	71500	4.72
UK X18	90	6.6929 170	2.0472 52	1.4960 38	0.4685 11.9	109000	82000	5.11
UK X20	100	7.4803 190	2.2835 58	1.6535 42	0.5118 13	133000	105000	7.51

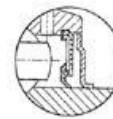
ΡΟΥΛΕΜΑΝ ΤΡΙΠΛΗΣ ΤΣΙΜΟΥΧΑΣ (R3) ΤΥΠΕ

UK Ball Bearings
(with tapered bore)

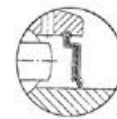
UK 300 (heavy-duty)



Triple-lip seal
R3) (+Suffix-R3)



Double seal



F seal
(+Suffix-F)

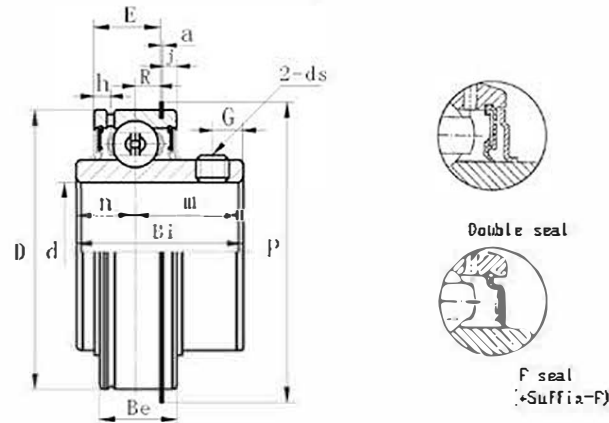
Bearing No.	Shaft Dia.	Dimensions (in.) or (mm)				Basic Dynamic Load Rating (N)	Basic Static Load Rating (N)	Weight (kg)
	d (mm)	D	Bi	Be	T			
UK 305	25	2.4409 62	1.0630 27	0.8268 21	0.2401 6.1	22360	11500	0.48
UK 306	30	2.8346 72	1.1811 30	0.9055 23	0.2638 6.7	27000	15200	0.59
UK 307	35	3.1496 80	1.2992 33	1.0236 26	0.2913 7.4	33500	19200	0.74
UK 308	40	3.5433 90	1.3780 35	1.1024 28	0.3228 8.2	40560	24000	1.01
UK 309	45	3.9370 100	1.4961 38	1.1811 30	0.3543 9	53000	31800	1.31
UK 310	50	4.3307 110	1.5748 40	1.2598 32	0.3937 10	61750	37800	1.68
UK 311	55	4.7244 120	1.6929 43	1.3386 34	0.4212 10.7	71500	44800	2.06
UK 312	60	5.1181 130	1.8504 47	1.4173 36	0.4527 11.5	81600	51800	2.53
UK 313	65	5.5118 140	1.8898 48	1.4961 38	0.4803 12.2	93860	60500	3.07
UK 315	75	6.2992 160	2.1654 55	1.6535 42	0.5433 13.8	113360	76800	4.74
UK 316	80	6.6929 170	2.1654 55	1.7323 44	0.5709 14.5	122850	86500	5.62
UK 317	85	7.0866 180	2.3622 60	1.8110 46	0.5906 15	132600	96500	6.56
UK 318	90	7.4803 190	2.3622 60	1.8898 48	0.6260 15.9	143000	108000	7.52
UK 319	95	7.8740 200	2.5984 66	1.9685 50	0.6574 16.7	156000	122000	8.72
UK 320	100	8.4646 215	2.6772 68	2.1260 54	0.7087 18	171600	140000	10.8
UK 322	110	9.4488 240	3.1496 80	2.3622 60	0.8268 21	158000	178000	14.4
UK 324	120	10.2362 260	3.3858 86	2.5197 64	0.8661 22	175000	208000	18.0
UK 326	130	11.0236 280	3.6220 92	2.6772 68	0.9055 23	195000	242000	23.3
UK 328	140	11.8110 300	3.8582 98	2.8346 72	0.9843 25	212000	272000	28.8



PREMIUM QUALITY BEARINGS

Ball Bearings
(with locating snap ring)

SER 200 (normal-duty)



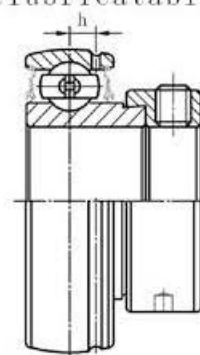
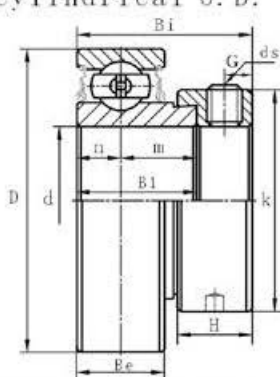
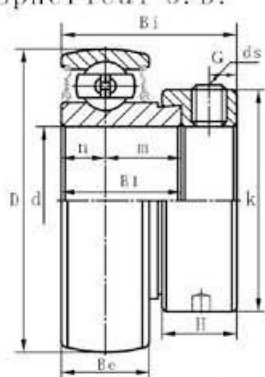
Bearing No.	Shaft Dia.		Dimensions (in.) or (mm)													Basic Dynamic Load Rating (N)	Basic Static Load Rating (N)	Weight (kg)
	d		D	Bi	Be	n	m	E	a	h	R	j	P	G	ds			
	(in.)	(mm)																
SER 201 201-8	12	1.8504 47	1.2205 31.0	0.6260 15.9	0.5000 12.7	0.7205 18.3	0.4760 12.09	0.0121 1.07	0.1675 4.0	0.1630 4.14	0.0969 2.46	2.0748 52.7	0.1850 4.7	1/4-28UNF M6X1.0	12800	6650	0.22	
SER 202 202-10	15	1.8504 47	1.2205 31.0	0.6260 15.9	0.5000 12.7	0.7205 18.3	0.4760 12.09	0.0121 1.07	0.1675 4.0	0.1630 4.14	0.0969 2.46	2.0748 52.7	0.1850 4.7	1/4-28UNF M6X1.0	12800	6650	0.22	
SER 203 203-11	17	1.8504 47	1.2205 31.0	0.6260 15.9	0.5000 12.7	0.7205 18.3	0.4760 12.09	0.0121 1.07	0.1675 4.0	0.1630 4.14	0.0969 2.46	2.0748 52.7	0.1850 4.7	1/4-28UNF M6X1.0	12800	6650	0.22	
SER 204-12 204	20	1.8504 47	1.2205 31.0	0.6260 15.9	0.5000 12.7	0.7205 18.3	0.4760 12.09	0.0121 1.07	0.1675 4.0	0.1630 4.14	0.0969 2.46	2.0748 52.7	0.1850 4.7	1/4-28UNF M6X1.0	12800	6650	0.21	
SER 205-14 205-15 205-16	25	2.0172 52	1.3125 34.1	0.7480 19	0.5630 14.3	0.7795 19.8	0.6030 15.29	0.0121 1.07	0.2047 5.2	0.2260 5.74	0.0969 2.46	2.2795 57.9	0.2126 5.4	1/4-28UNF M6X1.0	14000	7880	0.27	
SER 206-18 206 206-19 206-20	30	2.4109 62	1.5000 38.1	0.8740 22.2	0.6260 15.9	0.8740 22.2	0.6701 17.02	0.0650 1.65	0.2207 5.6	0.2331 5.92	0.1291 3.28	3.6654 92.7	0.2205 5.6	1/4-28UNF M6X1.0	19500	11200	0.39	
SER 207-20 207-22 207 207-23	35	2.8316 72	1.6890 42.9	0.9370 23.8	0.6890 17.5	1.0000 25.4	0.7302 18.62	0.0650 1.65	0.2207 5.6	0.2645 6.72	0.1291 3.28	3.0911 78.6	0.2756 7	3/16-24UNF M8X1.0	25700	15200	0.56	
SER 208-24 208	40	3.1496 80	1.9370 49.2	1.0945 27.8	0.7480 19.0	1.1890 30.2	0.8905 22.62	0.0650 1.65	0.2620 6.4	0.3437 8.72	0.1291 3.28	3.4094 86.6	0.3150 8.0	5/16-24UNF M8X1.0	29600	18200	0.72	
SER 209-26 209-27 209-28 209	45	3.3465 85	1.9370 49.2	1.0945 27.8	0.7480 19.0	1.1890 30.2	0.8905 22.62	0.0650 1.65	0.2620 6.4	0.3437 8.72	0.1291 3.28	3.6062 91.6	0.3150 8.0	3/16-24UNF M8X1.0	31850	20800	0.90	
SER 210-30 210-31 210 210-32	50	3.5433 90	2.0315 51.6	0.1260 28.6	0.7480 19.0	1.2835 32.6	0.8906 22.62	0.0949 2.41	0.2957 7.5	0.3276 8.32	0.1291 3.28	3.7992 96.5	0.3937 10	3/8-24UNF M10X1.0	35100	23200	0.93	
SER 211-32 211 211-35	55	3.9370 100	2.1890 55.6	1.1890 30.2	0.8740 22.2	1.3150 33.4	0.9517 24.22	0.0949 2.41	0.2957 7.5	0.3500 9.12	0.1291 3.28	4.1929 106.5	0.3937 10	3/8-24UNF M10X1.0	43550	29200	1.28	
SER 212-36 212 212-39	60	4.3307 110	2.5630 65.1	1.2520 31.8	1.0000 25.4	1.5630 39.7	1.0165 25.82	0.0949 2.41	0.2957 7.5	0.3900 9.92	0.1391 3.28	4.5905 116.6	0.3937 10	3/8-24UNF M10X1.0	47800	32800	1.51	

Ball Bearings (with eccentric locking collar)

SA 200 (light-duty)
Spherical O. D.

CSA 200 (light-duty)
Cylindrical O. D.

SA 200G
Relubricatable type

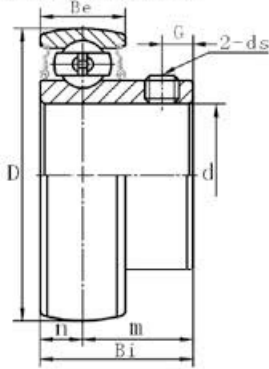


RS Seal
(+Suffix-2RS)

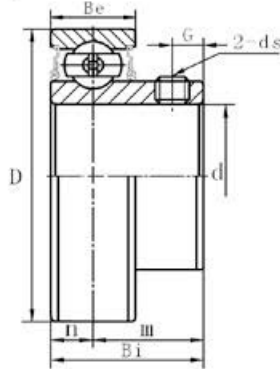
Bearing No.	Shaft Dia.		Dimensions (in.) or (mm)										Basic Dynamic Load Rating (N)	Basic Static Load Rating (N)	Weight (kg)	
	d		Be	D	B1	n	m	Bi	K	H	G	h				ds
	(in.)	(mm)														
SA 201 201-8	1/2	12	0.4724 12	1.5748 40	0.7520 19.1	0.2559 6.5	0.4461 12.6	1.1260 28.6	1.1260 28.6	0.5315 13.5	0.1968 5.0	0.1417 3.6	3/4 -28UNF M6 X1.0	9550	4780	0.12
SA 202 202-10	5/8	15	0.4724 12	1.5748 40	0.7520 19.1	0.2559 6.5	0.4461 12.6	1.1260 28.6	1.1260 28.6	0.5315 13.5	0.1968 5.0	0.1417 3.6	3/4 -28UNF M6 X1.0	9550	4780	0.10
SA 203 203-11	11/16	17	0.4724 12	1.5748 40	0.7520 19.1	0.2559 6.5	0.4461 12.6	1.1260 28.6	1.1260 28.6	0.5315 13.5	0.1968 5.0	0.1417 3.6	3/4 -28UNF M6 X1.0	9550	4780	0.09
SA 204-12 204	3/4	20	0.5512 14	1.8504 47	0.8465 21.5	0.2953 7.5	0.5511 14	1.2205 31.0	1.3110 33.3	0.5315 13.5	0.1968 5.0	0.1535 3.9	3/4 -28UNF M6 X1.0	12800	6650	0.15
SA 205-14 205 205-16	7/8 1	25	0.5996 15	2.0472 52	0.8465 21.5	0.2953 7.5	0.5511 14	1.2205 31.0	1.5000 38.1	0.5315 13.5	0.1968 5.0	0.1535 3.9	3/4 -28UNF M6 X1.0	14000	7880	0.22
SA 206-18 206 206-19 206-20	1 1/8 1 1/16 1 1/4	30	0.6299 16	2.4409 62	0.9370 23.8	0.3543 9	0.5827 14.8	1.4055 35.7	1.7520 44.5	0.6260 15.9	0.2362 6.0	0.1569 5	5/8 -24UNF M8 X1.0	19500	11200	0.3
SA 207-20 207-22 207 207-23	1 1/4 1 1/8 1 1/16	35	0.6693 17	2.8345 72	1.0000 25.4	0.3740 9.5	0.6260 15.9	1.5315 38.9	2.1890 55.6	0.6890 17.5	0.2559 6.5	0.2165 5.5	5/8 -24UNF M8 X1.0	25700	15200	0.50
SA 208-24 208-25 208	1 1/2 1 1/16	40	0.7087 18	3.1495 80	1.1890 30.2	0.4330 11	0.7559 19.2	1.7205 43.7	2.3740 60.3	0.7205 18.3	0.2559 6.5	0.2362 6.0	5/8 -24UNF M8 X1.0	29600	18200	0.67
SA 209-26 209-27 209 209-28	1 5/8 1 1/16 1 1/4	45	0.7480 19	3.3465 85	1.1890 30.2	0.4330 11	0.7559 19.2	1.7205 43.7	2.5000 63.5	0.7205 18.3	0.2559 6.5	0.2480 6.3	5/8 -24UNF M8 X1.0	31850	20800	0.64
SA 210-30 210-31 210	1 3/4 1 5/16	50	0.7874 20	3.5433 90	1.1890 30.2	0.4330 11	0.7559 19.2	1.7205 43.7	2.7520 69.9	0.7205 18.3	0.2559 6.5	0.2559 6.5	5/8 -24UNF M8 X1.0	35100	23200	0.72
SA 211-32 211-34 211 211-35	2 2 1/2 2 1/16	55	0.9055 23	3.9370 100	1.2795 32.5	0.4724 12	0.8032 20.5	1.9055 48.4	3.0000 76.2	0.8150 20.7	0.3150 8	0.2835 7.2	3/8 -24UNF M10 X1.0	43550	29200	1.00
SA 212-36 212 212-38 212-39	2 1/4 2 3/8 2 1/16	60	0.4449 24	4.3307 110	1.4646 37.2	0.5315 13.5	0.9331 23.7	2.0915 53.1	3.3150 84.2	0.8789 22.3	0.3150 8	0.3150 8	3/8 -24UNF M10 X1.0	47800	32800	1.3

Ball Bearings
(with setscrews)

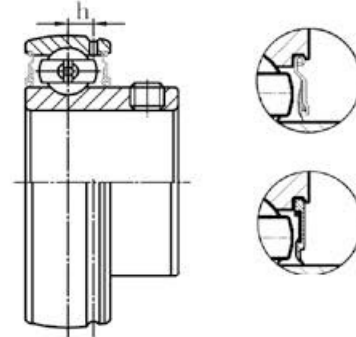
SB 200 (light-duty)
Spherical O. D.



CSB 200 (light-duty)
Cylindrical O. D.



SB 200G
Relubricatable type



Bearing No.	Shaft Dia.		Dimensions (in.) or (mm)							Basic Dynamic Load Rating (N)	Basic Static Load Rating (N)	Weight (kg)	
	d		Be	D	Bi	n	m	G	h				ds
	(in.)	(mm)											
SB 201 201-8	1/2	12	0.4724 12	1.5748 40	0.8661 22	0.2362 6.0	0.6299 16.0	0.1772 4.5	0.1417 3.6	10-32UNF M5 X0.8	9550	4780	0.10
SB 202 202-10	5/8	15	0.4724 12	1.5748 40	0.8661 22	0.2362 6.0	0.6299 16.0	0.1772 4.5	0.1417 3.6	10-32UNF M5 X0.8	9550	4780	0.10
SB 203 203-11	11/16	17	0.4724 12	1.5748 40	0.8661 22	0.2362 6.0	0.6299 16.0	0.1772 4.5	0.1417 3.6	10-32UNF M5 X0.8	9550	4780	0.10
SB 204-12 204	3/4	20	0.5512 14	1.8504 47	0.9843 25	0.2756 7.0	0.7087 18.0	0.1772 5.0	0.1535 3.9	1/4-28UNF M6 X1.0	12800	6650	0.15
SB 205-14 205 205-16	7/8 1	25	0.5906 15	2.0472 52	1.0630 27	0.2953 7.5	0.7677 19.5	0.2165 5.5	0.1535 3.9	1/4-28UNF M6 X1.0	14000	7880	0.18
SB 206-18 206 206-19 206-20	1 1/8 1 3/16 1 1/4	30	0.6299 16	2.4409 62	1.1811 30	0.3150 8.0	0.8661 22.0	0.2165 6.0	0.1969 5.0	1/4-28UNF M6 X1.0	19500	11200	0.27
SB 207-20 207-22 207 207-23	1 1/4 1 3/8 1 7/16	35	0.6693 17	2.8346 72	1.2598 32	0.3346 8.5	0.9252 23.5	0.2559 6.5	0.2165 5.5	5/16-24UNF M8 X1.0	25700	15200	0.42
SB 208-24 208	1 1/2	40	0.7087 18	3.1496 80	1.3386 34	0.3543 9.0	0.9843 25.0	0.2756 7.0	0.2362 6.0	5/16-24UNF M8 X1.0	29600	18200	0.60
SB 209-26 209-27 209 209-28	1 5/8 1 11/16 1 3/4	45	0.7480 19	3.3465 85	1.6220 41.2	0.4016 10.2	1.2205 31	0.3228 8.2	0.2480 6.3	5/16-24UNF M8 X1.0	31850	20800	0.80
SB 210-30 210-31 210 210-32	1 7/8 1 13/16 2	50	0.7874 20	3.5433 90	1.7126 43.5	0.4291 10.9	1.2835 32.6	0.3622 9.2	0.2559 6.5	5/16-24UNF M8 X1.0	35100	23200	0.83
SB 211-32 211-34 211 211-35	2 2 1/8 2 3/16	55	0.9055 23	3.9370 100	1.7835 45.3	0.4646 11.8	1.3189 33.5	0.3858 9.8	0.2835 7.2	5/16-24UNF M8 X1.0	43550	29200	1.1
SB 212 212-36	2 1/4	60	0.9449 24	4.3307 110	2.1142 53.7	0.5866 14.9	1.5276 38.8	0.3858 9.8	0.3150 8	3/8-24UNF M10X1.0	47800	32800	1.3

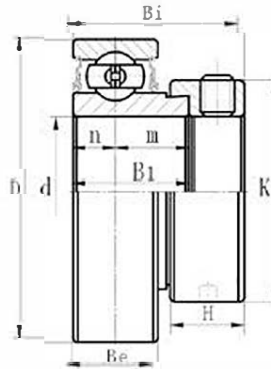
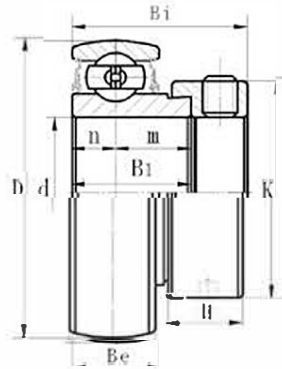


ΡΟΥΛΕΜΑΝ ΤΡΙΠΛΗΣ ΤΣΙΜΟΥΧΑΣ (R3) TYPE

Ball Bearings
(with eccentric collar)

SA 000 (light-duty)
Spherical O. D.

CSA 000 (light-duty)
CSA 100 (light-duty)
Cylindrical O. D.



Roll edge adhesive seal



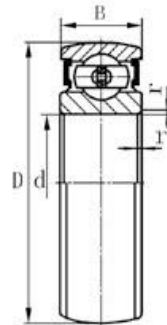
RS Seal
(+Suffix-2RS)

Bearing No.	Shaft Dia.		Dimensions (in.) or (mm)								Basic Dynamic Load Rating (N)	Basic Static Load Rating (N)	Weight (kg)
	d		Be	D	Bi	n	m	Bi	K	H			
	(in.)	(mm)											
SA 004-12 004	1/4	20	0.4724 12	1.6535 42	0.6575 16.7	0.2362 6.0	0.4213 10.7	0.9685 24.6	1.1719 29.8	0.4370 11.1	9380	5020	0.12
CSA 104-12	1/4		0.4724 12	1.6535 42	0.6354 16.14	0.2362 6.0	0.3976 10.1	1.0402 26.42	1.2992 33.0	0.5197 13.2	9380	5020	0.12
SA 005-14 005 005-16	5/8 1	25	0.4724 12	1.8501 47	0.6890 17.5	0.2362 6.0	0.4528 11.5	1.0000 25.4	1.4213 36.1	0.4685 11.9	10000	5850	0.15
SA 006-18 006 006-19 006-20	1 1/8 1 3/16 1 1/4	30	0.5118 13	2.1651 55	0.7283 18.5	0.2559 6.5	0.4724 12.0	1.0433 26.5	1.6732 42.5	0.4685 11.9	13200	8300	0.28

Note: Prefix "C" - Cylindrical O.D..

Spherical Radial
Ball Bearings

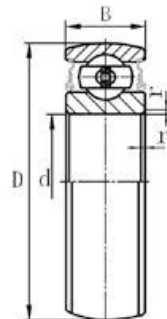
CS 200 Series
CS 300 Series



CS2-2RS Series and
CS3-2RS Series

Bearing No.	Dimensions (mm)				Basic Dynamic Load Rating (N)	Basic Static Load Rating (N)	Weight (kg)
	d	D	B	r (min.)	Dynamic Cr	Static Cor	
CS201	12	32	10	0.6	6800	3050	0.04
CS202	15	35	11	0.6	7650	3720	0.04
CS203	17	40	12	0.6	9580	4780	0.06
CS204	20	47	14	1	12800	6650	0.10
CS205	25	52	15	1	14000	7880	0.11
CS305		62	17	1.1	22200	11500	0.20
CS206	30	62	16	1	19500	11500	0.18
CS306		72	19	1.1	27000	15200	0.30
CS207	35	72	17	1.1	25500	15200	0.25
CS307		80	21	1.5	33200	19200	0.40
CS208	40	80	18	1.1	29500	18000	0.32
CS308		90	23	1.5	40800	24000	0.62
CS209	45	85	19	1.1	31500	20800	0.37
CS309		100	25	1.5	52800	31500	0.81
CS210	50	90	20	1.1	35000	23200	0.41
CS310		110	27	2	61800	38000	1.05

ORAE SERIES



ORAE Series

Bearing NO.	Dimensions (mm)				Basic Dynamic Load Rating (N)	Basic Static Load Rating (N)	Weight (kg)
	d	D	B	r (min.)	Dynamic Cr	Static Cor	
ORAE20PPB	20	47	14	0.6	12800	6650	0.10
ORAE30PPB	30	62	18	1	19500	11500	0.21
ORAE40PPB	40	80	22	1.1	29500	18200	0.38

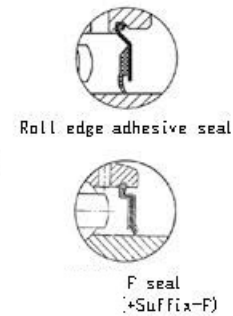
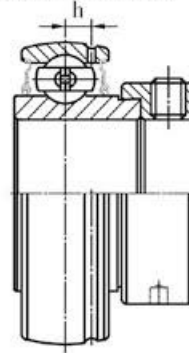
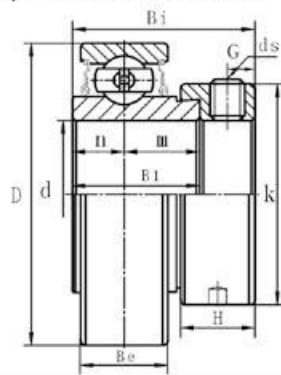
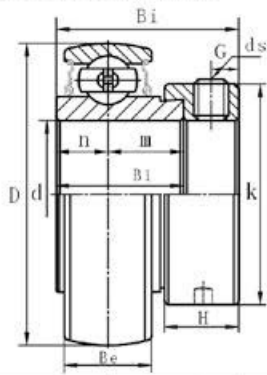
ΡΟΥΛΕΜΑΝ ΤΡΙΠΛΗΣ ΤΣΙΜΟΥΧΑΣ (R3) TYPE

Ball Bearings
(with eccentric locking collar)

GRA 200 (light-duty)
Spherical O. D.

RA 200 (light-duty)
Cylindrical O. D.

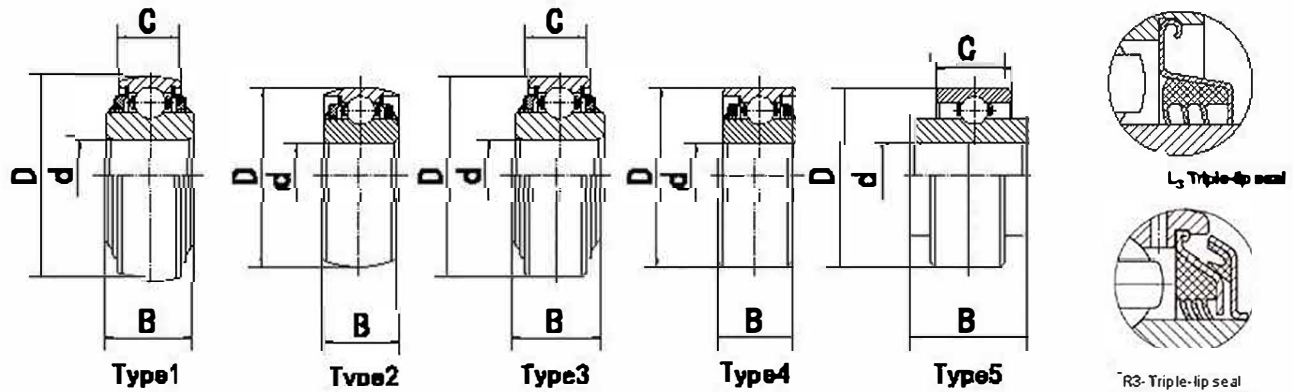
GRA 200G
Relubricatable type



Bearing No.	Shaft Dia.		Dimensions (in.) or (mm)										Basic Dynamic Load Rating (N)	Basic Static Load Rating (N)	Weight (kg)	
	d (in.)	d (mm)	Be	D	B1	n	m	Bi	K	H	G	h				ds
GRA 201 RA 201-8	1/2	12	0.4724 12	1.5748 40	0.7520 19.1	0.2559 6.5	0.4961 12.6	1.1260 28.6	1.1269 28.6	0.5315 13.5	0.1968 5.0	0.1417 3.6	1/4-28UNF M6 X1.0	9550	4780	0.13
GRA 202 RA 202-10	5/8	15	0.4724 12	1.5748 40	0.7520 19.1	0.2559 6.5	0.4961 12.6	1.1260 28.6	1.1269 28.6	0.5315 13.5	0.1968 5.0	0.1417 3.6	1/4-28UNF M6 X1.0	9550	4780	0.13
GRA 203 RA 203-11	11/16	17	0.4724 12	1.5748 40	0.7520 19.1	0.2559 6.5	0.4961 12.6	1.1260 28.6	1.1269 28.6	0.5315 13.5	0.1968 5.0	0.1417 3.6	1/4-28UNF M6 X1.0	9550	4780	0.13
GRA 204-12 RA 204	3/4	20	0.5512 14	1.8504 47	0.8465 21.5	0.2953 7.5	0.5511 14	1.2205 31.0	1.3110 33.3	0.5315 13.5	0.1968 5.0	0.1535 3.9	1/4-28UNF M6 X1.0	12800	6650	0.15
GRA 205-14 RA 205 205-16	7/8	25	0.5906 15	2.0472 52	0.8465 21.5	0.2953 7.5	0.5511 14	1.2205 31.0	1.5009 38.1	0.5315 13.5	0.1968 5.0	0.1535 3.9	1/4-28UNF M6 X1.0	14000	7880	0.22
GRA 206-18 RA 206 206-19 206-20	1 1/8 1 1/16 1 1/4	30	0.70866 18	2.4409 62	0.9370 23.8	0.3543 9.0	0.5826 14.8	1.4955 35.7	1.7520 44.5	0.6260 15.9	0.2362 6.0	0.1969 5	5/16-24UNF M8 X1.0	19500	11200	0.3
GRA 207-20 RA 207-22 207 207-23	1 1/4 1 1/8 1 1/16	35	0.7480 19	2.8346 72	1.0000 25.4	0.3740 9.5	0.6260 15.9	1.5315 38.9	2.1890 55.6	0.6890 17.5	0.2559 6.5	0.2165 5.5	5/16-24UNF M8 X1.0	25700	15200	0.50
GRA 208-24 RA 208-25 208	1 1/2 1 1/16	40	0.8268 21	3.1496 80	1.1890 30.2	0.4331 11	0.7559 19.2	1.7205 43.7	2.3749 60.3	0.7205 18.3	0.2559 6.5	0.2362 6.0	5/16-24UNF M8 X1.0	29600	18200	0.67
GRA 209-26 RA 209-27 209 209-28	1 5/8 1 11/16 1 3/4	45	0.8661 22	3.3465 85	1.1890 30.2	0.4331 11	0.7559 19.2	1.7205 43.7	2.5000 63.5	0.7205 18.3	0.2559 6.5	0.2677 6.8	5/16-24UNF M8 X1.0	31850	20800	0.73
GRA 210-30 RA 210-31 210	1 7/8 1 13/16	50	0.8661 22	3.5433 90	1.1890 30.2	0.4331 11	0.7559 19.2	1.7205 43.7	2.7529 69.9	0.7205 18.3	0.2559 6.5	0.2559 6.5	5/16-24UNF M8 X1.0	35100	23200	0.83
GRA 211-32 RA 211-34 211 211-35	2 2 1/8 2 3/16	55	0.9449 24	3.9370 100	1.2795 32.5	0.4724 12	0.8071 20.5	1.9055 48.4	3.0000 76.2	0.8150 20.7	0.3150 8	0.2835 7.2	5/8-24UNF M10 X1	43550	29200	0.87
GRA 212-36 RA 212 212-38 212-39	2 1/4 2 3/8 2 1/2	60	0.9449 24	4.3307 110	1.4646 37.2	0.5315 13.5	0.9331 23.7	2.0905 53.1	3.3150 84.2	0.8780 22.3	0.3150 8	0.3150 8	5/8-24UNF M10 X1	47800	32800	1.3

ΡΟΥΛΕΜΑΝ ΤΡΙΠΛΗΣ ΤΣΙΜΟΥΧΑΣ (R3) TYPE

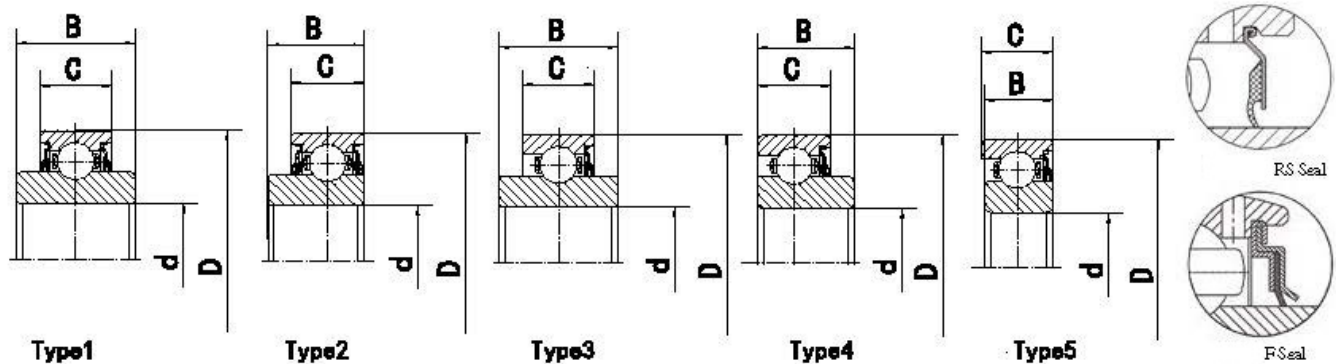
Round Bore Non Re-lubrication Bearing



Bearing NO.	Type	Dimensions (in./mm)				Dynamic load ratings (N)	Static load ratings (N)	Weight (kg)
		d	D	C	B			
W204PP	4	0.7874 20	1.8504 47.00	0.8118 20.62	0.8118 20.62	12800	6650	0.15
W205PP	4	0.9843 25.00	2.0472 52.00	0.8118 20.62	0.8118 20.62	14000	7850	0.16
W206PP	4	1.1811 30.00	2.4410 62.00	0.9382 23.83	0.9382 23.83	19450	11250	0.28
W207PP	4	1.3780 35.00	2.8346 72.00	1.0618 26.97	1.0618 26.97	25700	15200	0.34
W208PP7	3	1.1882 30.18	3.1496 80.00	0.7087 18.00	1.1890 30.20	29500	18100	0.56
W208PP8	3	1.1260 28.60	3.1496 80.00	1.1882 30.18	1.4374 36.51	29500	18100	0.57
W208PP10	3	1.1854 38.11	3.1496 80.00	0.8268 21.00	1.6878 42.87	29500	18100	0.68
W208PPB10	1	1.5005 38.11	3.1496 80.00	0.8268 21.00	1.6878 42.87	29500	18100	0.82
W210PP2	4	1.9380 49.23	3.5433 90.00	1.1890 30.2	1.1890 30.2	35000	23200	0.67
W210PP8	4	1.5300 38.86	3.5433 90.00	1.1890 30.2	1.1890 30.2	35000	23200	0.85
W210PP10	4	1.9384 49.23	3.5433 90.00	1.1882 30.18	1.1882 30.18	35000	23200	0.87
W211PP2	4	2.1800 55.58	3.9370 100	1.3110 33.3	1.3110 33.3	43300	29200	1.05
W211PP4	5	2.1882 55.58	3.9370 100	1.3110 33.3	2.1874 55.56	43300	29200	1.15
W211PP54	5	2.0643 52.41	3.9370 100	0.8268 21.00	2.1874 55.56	43300	29200	1.22
W214PP2	4	2.7599 70	4.9213 125	1.5630 39.7	1.5630 39.7	62100	44800	1.91
WIR210-31	5	1.9370 49.2	2.5430 90	0.7870 20	1.9370 49.2	35000	23200	0.75
WIR211-33	5	2.0630 52.39	3.9370 100	0.8270 21	2.1890 56.6	43300	29200	1.15
WIR212-39	5	2.4370 61.91	4.3310 110	0.8660 22	2.4370 61.9	47700	32800	1.25

ΡΟΥΛΕΜΑΝ ΤΡΙΠΛΗΣ ΤΣΙΜΟΥΧΑΣ (R3) TYPE

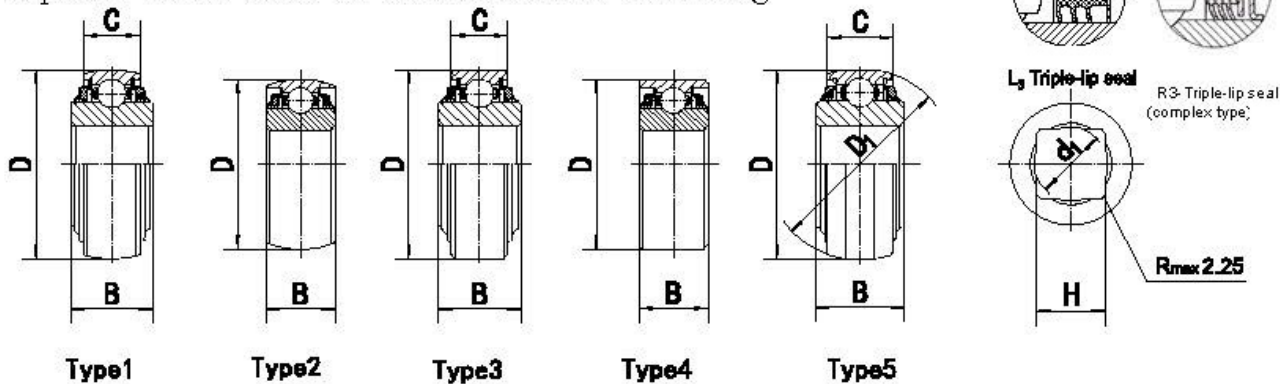
Round Bore Non Re-lubrication Bearing



Bearing NO.	Type	Dimensions (in./mm)				Dynamic load ratings (N)	Static load ratings (N)	Weight (kg)
		d	D	C	B			
203KR2	4	0.6250 15.88	1.5748 40	0.4720 12	0.5510 14	12800	6650	0.08
203KRR2	1	0.6400 16.26	1.5748 40	0.4720 12	0.7200 18.29	12800	6650	0.09
203KRR3	5	0.6280 15.95	2 50.8	0.5906 15	0.5906 15	12800	6650	0.11
203KRR5	1	0.5150 13.08	1.5748 40	0.4720 12	0.7200 18.29	12800	6650	0.10
203KRR6	1	0.6400 16.26	1.8504 47	0.4720 12	0.7200 18.29	12800	6650	0.13
203KRR7	1	0.6690 17	1.5748 40	0.4720 12	0.6540 16.61	12800	6650	0.08
204KR2	4	0.7505 19.063	1.7805 45.23	0.6100 15.49	0.6100 15.49	12800	6650	0.11
204KRR3	1	0.7874 20	1.8504 47	0.5510 14	0.6990 17.76	12800	6650	0.12
204KRD4	2	0.6300 16	1.8504 47	0.5510 14	0.6890 17.5	12800	6650	0.14
204KRR14	1	0.6300 16	1.8504 47	0.5910 15	0.7200 18.29	12800	6650	0.15
205KRP	2	0.7560 19.2	2.0472 52	0.5910 15	0.8311 21.11	14000	7850	0.16
205KR3	5	0.7500 19.05	2.0472 52	0.6992 17.76	0.6402 16.26	14000	7850	0.17
205KR4	3	1.0005 25.41	2.0472 52	0.5910 15	1.0000 25.4	14000	7850	0.15
205KP6	1	0.7560 19.2	2.0472 52	0.6692 17.76	0.9209 23.39	14000	7850	0.18
206KR7	3	1.1810 30	2.4410 62	0.6300 16	0.9450 24	19450	11250	0.26
206KRR8	1	1.1810 30	2.4410 62	0.6300 16	0.9450 24	19450	11250	0.26
206KRR18	1	1.2598 32	2.4410 62	0.6300 16	0.9450 24	19450	11250	0.22
207KRR	1	1.3780 35	2.8346 72	0.6690 17	0.9840 28	25700	15200	0.35
207KRR14	1	1.2531 31.83	2.8346 72	0.6690 17	0.9843 25	25700	15200	0.40
208KRR2	1	1.5748 40	3.1496 80	0.8270 21	1.0630 27	29500	18100	0.45
208KR4	3	1.5311 38.89	3.1496 80	0.8268 21	1.0827 27.5	29500	18100	0.47
208KRR4	1	1.5311 38.89	3.1496 80	0.8268 21	1.0827 27.5	29500	18100	0.50
208KPP53	2	1.5000 38.1	3.1496 80	0.8661 22	1.4173 36	29500	18100	0.54
210KRR	1	1.9685 50	3.5433 90	0.7874 20	1.1810 30	35000	23200	0.53
214KRR	1	2.7559 70	4.9212 125	1.1024 28	1.6929 43	62100	44800	1.55

ΡΟΥΛΕΜΑΝ ΤΡΙΠΛΗΣ ΤΣΙΜΟΥΧΑΣ (R3) TYPE

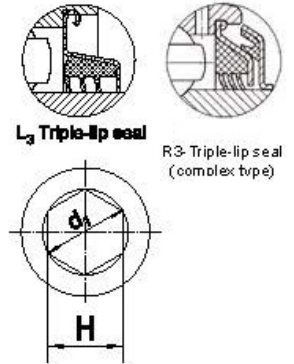
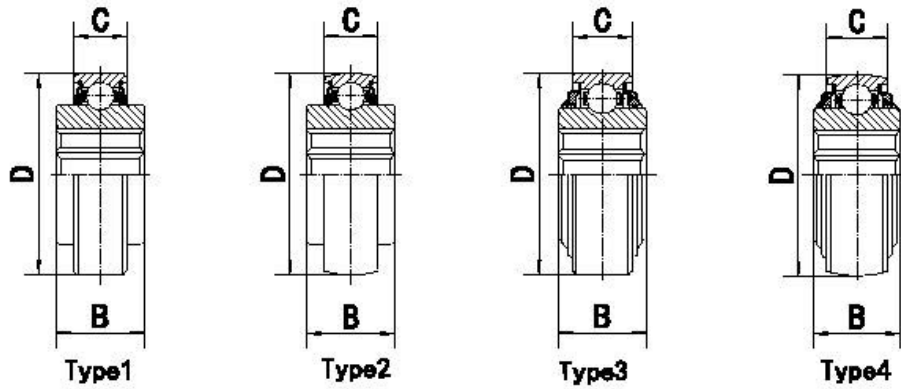
Square Bore Non Re-lubrication Bearing



Bearing NO.	Type	Dimensions (in./mm)						Dynamic load ratings (N)	Static load ratings (N)	Weight (kg)
		d ₁	H	D	D ₁	C	B			
W208PP5	3	1.2598 32.00	1.1800 29.97	3.1496 80.00		0.7090 18.00	1.4370 36.50	29500	18100	0.60
W208PPB5	1	1.2598 32.00	1.1800 29.97	3.1496 80.00		0.7090 18.00	1.4370 36.50	29500	18100	0.59
W208PP6	3	1.0945 27.80	1.0300 26.16	3.1496 80.00		0.7090 18.00	1.4370 36.50	29500	18100	0.66
W208PPB6	1	1.0945 27.80	1.0300 26.16	3.1496 80.00		0.7090 18.00	1.4370 36.50	29500	18100	0.65
W208PPB	3	1.2598 32.00	1.1800 29.97	3.1496 80.00		0.7090 18.00	1.4370 36.50	29500	18100	0.71
W208PPB8	1	1.2598 32.00	1.1800 29.97	3.1496 80.00		0.7090 18.00	1.4370 36.50	29500	18100	0.74
W208PPB9	1	1.0945 27.80	1.0300 26.16	3.1496 80.00		0.7090 18.00	1.4370 36.50	29500	18100	0.79
W208PPB11	5	0.9746 24.80	0.9050 22.99	3.4020 85.75	3.4385 87.34	0.7090 18.00	1.4370 36.50	29500	18100	0.96
W208PPB12	5	1.2598 32.00	1.1800 29.97	3.4020 85.75	3.4385 87.34	0.7090 18.00	1.4370 36.50	29500	18100	0.96
W208PPB13	1	0.9764 24.80	0.9050 22.99	3.1496 80.00		0.7090 18.00	1.4370 36.50	29500	18100	0.70
W209PPB5	1	1.3504 34.30	1.2900 32.77	3.3465 85.00		1.1890 30.20	1.4370 36.50	32700	20900	0.95
W209PPB8	1	1.3504 34.30	1.2900 32.77	3.3465 85.00		0.7480 19.00	1.4370 36.50	32700	20900	0.73
W210PP4	4	1.2598 32.00	1.1800 29.97	3.5433 90.00		1.1890 30.20	1.1882 30.20	35000	23200	1.05
W210PPB4	2	1.2598 32.00	1.1800 29.97	3.5433 90.00		1.1890 30.20	1.1890 30.20	35000	23200	0.85
W210PPB6	1	1.2598 32.00	1.1800 29.97	3.5433 90.00		1.1890 30.20	1.4370 36.50	35000	23200	0.74
W211PP3	4	1.6535 42.00	1.5311 38.89	3.9370 100.00		1.3126 33.30	1.3126 33.30	62100	44800	1.27
W211PPB3	2	1.6535 42.00	1.5311 38.89	3.9370 100.00		1.3126 33.30	1.3126 33.30	35000	23200	1.21
W211PP5	3	1.6535 42.00	1.5311 38.89	4.0000 101.60		1.4370 36.50	1.7500 44.45	43300	29200	1.31
W211PPB6	5	1.6535 42.00	1.5311 38.89	4.0772 103.56	4.1299 104.90	1.4370 36.50	1.7500 44.45	47700	32800	1.61
4509BA	3	1.3504 34.30	1.2900 32.77	3.3465 85.00		1.1890 30.20	1.3976 35.50			0.78

ΡΟΥΛΕΜΑΝ ΤΡΙΠΛΗΣ ΤΣΙΜΟΥΧΑΣ (R3) TYPE

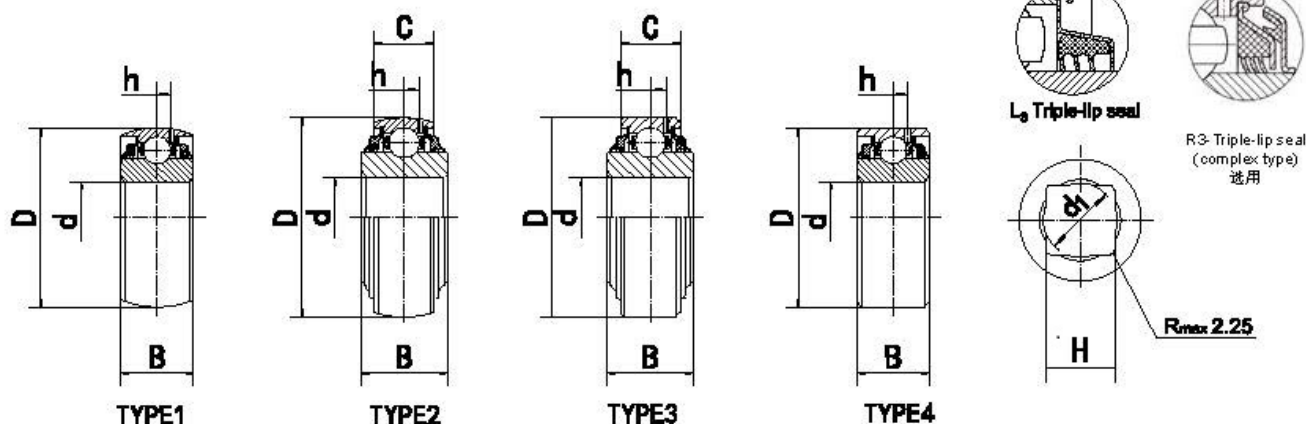
Hex Bore Non Re-lubrication Bearing



Bearing NO.	Type	Dimensions (In. / mm)					Dynamic load ratings (N)	Static load ratings (N)	Weight (kg)
		d ₁	H	D	C	B			
204KPP2	3	0.7970 20.24	0.6950 17.65	1.8504 47	0.5510 14	0.8250 20.96	12800	6650	0.34
204KRR2	1	0.7970 20.24	0.6950 17.65	1.8504 47	0.5510 14	0.8250 20.96	12800	6650	0.32
204KRRB2	2	0.7970 20.24	0.6950 17.65	1.8504 47	0.5510 14	0.8250 20.96	12800	6650	0.32
204KPPB2	4	0.7970 20.24	0.6950 17.65	1.8504 47	0.5510 14	0.8250 20.96	12800	6650	0.32
205KPP2	3	1.0120 25.70	0.8760 22.25	2.0470 52	0.5910 15	1.0000 25.40	14000	7850	0.47
205KRR2	1	1.0120 25.70	0.8760 22.25	2.0470 52	0.5910 15	1.0000 25.40	14000	7850	0.44
205KPPB2	4	1.0120 25.70	0.8760 22.25	2.0470 52	0.5910 15	1.0000 25.40	14000	7850	0.47
205KRRB2	2	1.0120 25.70	0.8760 22.25	2.0470 52	0.5910 15	1.0000 25.40	14000	7850	0.44
206KRR6	1	1.1520 29.26	1.0010 25.43	2.4409 62	0.6300 16	0.9450 24.00	19450	11250	0.75
206KRRB6	2	1.1520 29.26	1.0010 25.43	2.4409 62	0.6300 16	0.9450 24.00	19450	11250	0.75
G207KPPB2	4	1.2980 32.97	1.2600 28.60	2.8346 72	0.7480 19	1.4840 37.70	25700	15200	1.10
207KRRB9	2	1.2980 32.97	1.2600 28.60	2.8346 72	0.6690 17	1.4840 37.70	25700	15200	1.00
207KRRB12	2	1.2980 32.97	1.2600 28.60	2.8346 72	0.6690 17	0.9840 25.00	25700	15200	0.87
207KPPB3	4	1.4429 36.65	1.2512 31.78	2.8346 72	0.6690 17	1.4840 37.70	25700	15200	0.87
207KPP3	3	1.4429 36.65	1.2512 31.78	2.8346 72	0.6690 17	0.9840 25.00	25700	15200	0.87
GW208PPB22	4	1.4500 36.83	1.2550 31.88	3.1496 80	0.8270 21	1.4370 36.50	29500	18100	1.50
W208KRRB6	2	1.5870 40.30	1.3760 34.95	3.1496 80	0.8270 21	1.4370 36.50	29500	18100	1.31
W208PPB16	4	1.4429 36.65	1.2512 31.78	3.1496 80	0.7090 18	1.4370 36.50	29500	18100	1.45
W208PP21	3	1.4429 36.65	1.2512 31.78	3.1496 80	0.7090 18	1.4370 36.50	29500	18100	1.45
G209KPPB2	4	1.7300 43.94	1.5010 38.13	3.3465 85	0.7490 19	1.1810 30.00	32700	20900	1.26
209KRRB2	2	1.7300 43.94	1.5010 38.13	3.3465 85	0.7490 19	1.1810 30.00	32700	20900	1.27
210PPB20	4	1.4500 36.83	1.2550 31.88	3.5433 90	0.8661 22	1.4370 36.50	35000	23200	2.00
210PP20	3	1.4500 36.83	1.2550 31.88	3.5433 90	0.8661 22	1.4370 36.50	35000	23200	2.05
G210KPPB2	4	1.7300 43.94	1.5010 38.13	3.5433 90	0.8611 22	1.1811 30.00	35000	23200	1.89
GC211-32-NLC	3	2.0200 51.31	1.7510 44.48	3.9370 100	0.9840 25	2.2500 57.15	43300	29200	3.35

ΡΟΥΛΕΜΑΝ ΤΡΙΠΛΗΣ ΤΣΙΜΟΥΧΑΣ (R3) TYPE

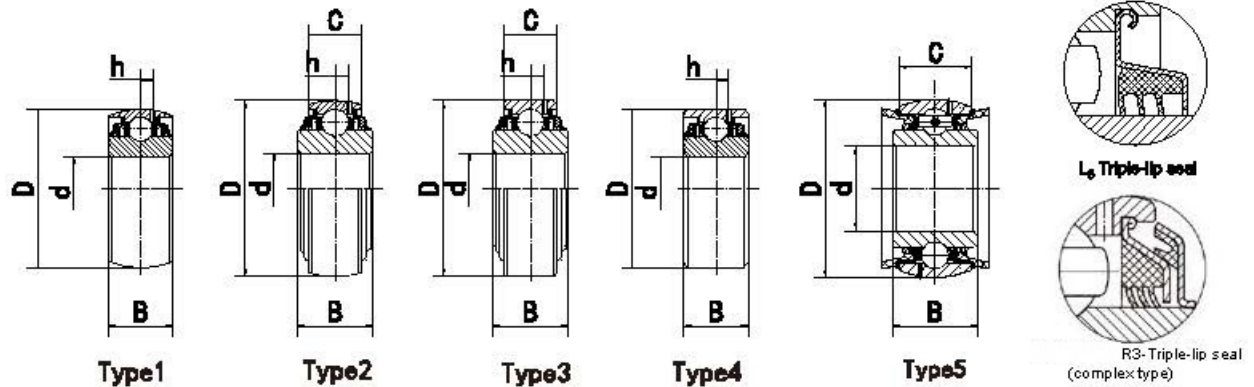
Square Bore Re-lubrication Bearing



Bearing NO.	Type	Dimensions (In./mm)						Dynamic load ratings (N)	Static load ratings (N)	Weight (kg)
		d	H	D	C	B	h			
GW208PPB5	2	1.2598 32.00	1.1800 29.97	3.1490 80.00	0.9450 24.00	1.4370 36.50	0.2520 6.40	29500	18100	0.64
GW208PPB6	2	1.0945 27.80	1.0300 26.16	3.1490 80.00	0.9450 24.00	1.4370 36.50	0.2520 6.40	29500	18100	0.76
GW208PPB8	3	1.2598 32.00	1.1800 29.97	3.1490 80.00	1.1882 30.18	1.4378 36.52	0.2520 6.40	29500	18100	0.74
GW208PPB8	2	1.2598 32.00	1.1800 29.97	3.1490 80.00	0.9450 24.00	1.1890 30.20	0.2520 6.40	29500	18100	0.66
GW208PP12	3	1.2598 32.00	1.7992 29.97	3.5433 90.00	1.1882 30.18	1.4378 36.52	0.2520 6.40	30	18100	0.85
GW208PPB17	3	1.1811 30.00	1.1260 28.60	3.3856 85.74	1.1882 30.18	1.1438 36.52	0.2520 6.40	29500	18100	0.76
GW209PPB5	2	1.3504 34.30	1.2900 32.77	3.3465 85.00	1.1890 30.20	1.4370 36.50	0.2598 6.60	32700	20900	0.80
GW209PPB8	2	1.3504 34.30	1.2900 32.77	3.3465 85.00	0.8661 22.00	1.4370 36.50	0.2598 6.60	32700	20900	0.75
GW209PPB12	2	1.2598 32.00	1.1811 30.00	3.3756 85.00	0.8661 22.00	1.7717 45.00	0.2598 6.60	32700	20900	1.20
GW209PPB17	2	1.2600 32.00	1.1800 29.97	3.3155 85.74	1.1890 30.20	1.4370 36.50	0.2598 6.60	32700	20900	1.93
GW210PP4	4	1.2205 31.00	1.1260 28.60	3.5433 90.00	1.1882 30.18	1.1882 30.18	0.2598 6.60	35000	23200	0.91
GW210PPB4	1	1.2598 32.00	1.1800 29.97	3.5433 90.00	1.1890 30.20	1.1890 30.20	0.2598 6.60	35000	23200	0.84
GW211PP3	4	1.6535 42.00	1.5311 38.89	3.9370 100.00	1.3126 33.30	1.3126 33.30	0.2992 7.60	43300	29200	1.06
GW211PPB3	1	1.6535 42.00	1.5311 38.89	3.9370 100.00	1.3126 33.30	1.3126 33.30	0.2992 7.60	43300	29200	1.16
GW211PP5	3	1.6535 42.00	1.5311 38.89	4.0000 101.60	1.4370 36.50	1.7500 44.45	0.2992 7.60	43300	29200	1.31
GW211PPB5	2	1.6535 42.00	1.5311 38.89	4.0000 101.60	1.4378 36.52	1.7500 44.45	0.2992 7.60	43300	29200	1.24
GW211PP17	3	1.6535 42.00	1.5311 38.89	3.9370 100.00	1.3126 33.30	1.7500 44.45	0.2992 7.60	43300	29200	1.26
GW214PPB4	1	2.1610 54.90	2.0550 52.20	4.9213 125.00	1.5630 39.70	1.5630 39.70	0.3543 9.00	62100	44800	2.17

ΡΟΥΛΕΜΑΝ ΤΡΙΠΛΗΣ ΤΣΙΜΟΥΧΑΣ (R3) TYPE

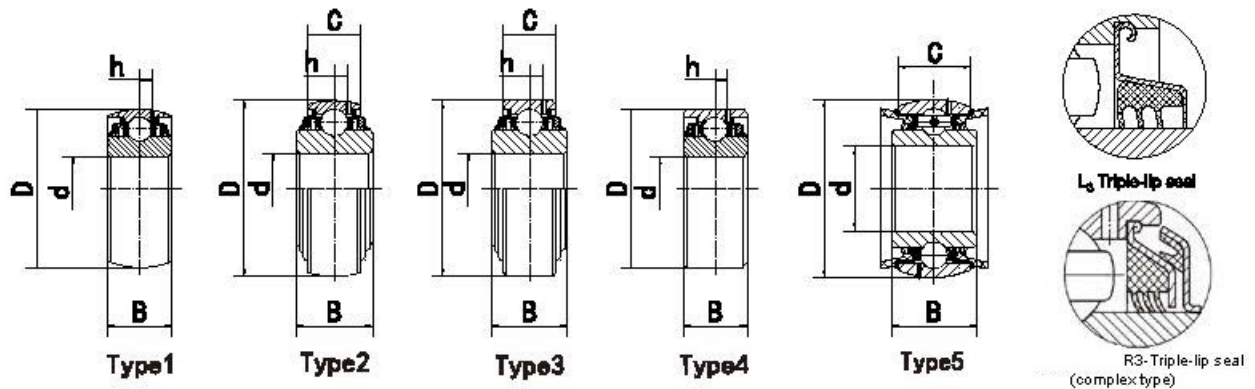
Round Bore Re-lubrication Bearing



Bearing NO.	Type	Dimensions (in./mm)					Dynamic load ratings (N)	Static load ratings (N)	Weight (kg)
		d	D	C	B	h			
GW205PPB7	2	0.9375 23.81	2.0472 52	0.5906 15	1.3780 35	0.1693 4.30	14000	7850	0.20
GW208PPB7	2	1.1880 30.18	3.1496 80	0.9450 24	1.1890 30.2	0.2520 6.40	29500	18100	0.60
GW209PPB2	1	1.7717 45	3.3465 85	1.1890 30.2	1.1890 30.2	0.2598 6.60	32700	20900	0.58
GW209PPB4	1	1.5354 39	3.3465 85	1.1890 30.175	1.1890 30.2	0.2598 6.60	32700	20900	0.61
GW209PPB11	2	1.7811 45.24	3.3465 85	0.8660 22	1.4370 36.5	0.2598 6.60	32700	20900	0.58
GW209PPB12	2	1.7650 44.83	3.3465 85	0.8661 22	1.6870 42.85	0.2598 6.60	32700	20900	0.60
GW209PPB13	2	1.7811 45.24	3.3465 85	1.1858 30.12	1.4378 36.52	0.2598 6.60	32700	20900	0.62
GW209PPB40	2	1.5748 40	3.3465 85	0.8661 30.12	1.6870 42.85	0.2598 6.60	32700	20900	0.85
GW210PPB2	1	1.9380 49.23	3.5433 90	1.1890 30.2	1.1890 30.2	0.2598 6.60	35000	23200	0.62
GW210PPB3	1	1.4776 37.53	3.5433 90	1.1890 30.2	1.1890 30.2	0.2598 6.60	35000	23200	1.12
GW210PPB5	1	1.7850 45.34	3.5433 90	1.1890 30.2	1.1890 30.2	0.2598 6.60	35000	23200	0.65
GW210PPB9	1	1.9449 49.4	3.5433 90	0.9055 23	1.4370 36.5	0.2598 6.60	35000	23200	0.80
GW211PPB2	1	2.1890 55.75	3.9370 100	1.3126 33.3	1.3126 33.3	0.2992 7.60	43300	29200	0.81
GW211PPB8	2	2.1890 55.75	3.9370 100	0.9840 25	1.3126 33.338	0.2992 7.60	43300	29200	0.75
GW211PPB9	2	2.1949 55.75	3.9370 100	0.9840 25	1.5630 39.7	0.2992 7.60	43300	29200	0.92
GW211PPB10	1	1.9380 49.23	3.9370 100	1.3126 33.3	1.3126 33.3	0.2992 7.60	43300	29200	1.03
GW211PPB13	2	1.7850 45.34	3.9370 100	0.9840 25	1.3126 33.3	0.2992 7.60	43300	29200	0.99
GW211PPB14	2	2.0150 51.18	3.9370 100	0.9840 25	1.3126 33.338	0.2992 7.60	43300	29200	1.00
GW211PPB25	2	1.7799 45.21	3.3465 100	1.3122 33.33	1.75 44.75	0.2992 7.60	43300	29200	1.14
GW214PPB2	1	2.7559 70	4.9213 125	1.5630 39.688	1.5630 39.688	0.3543 9.00	62100	45000	1.67
GW214PPB6	2	2.6882 68.28	4.9213 125	1.1024 28	2.6874 68.26	0.3543 9.00	62100	44800	1.37

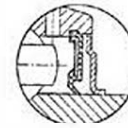
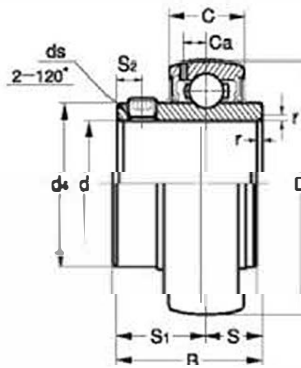
ΡΟΥΛΕΜΑΝ ΤΡΙΠΛΗΣ ΤΣΙΜΟΥΧΑΣ (R3) TYPE

Round Bore Re-lubrication Bearing



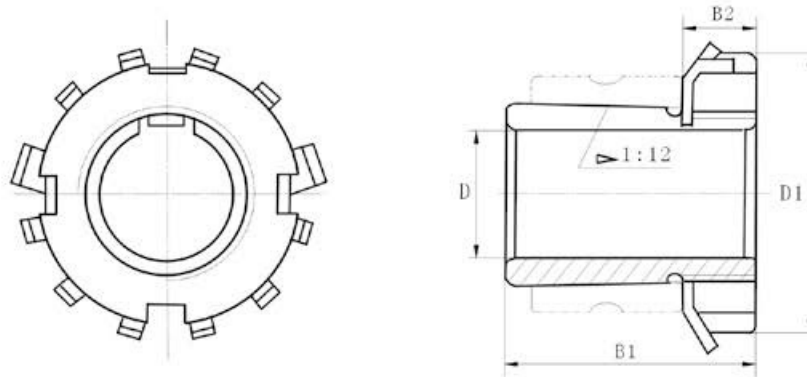
Bearing NO.	Type	Dimensions (In./mm)					Dynamic load ratings (N)	Static load ratings (N)	Weight (kg)
		d	D	C	B	h			
GW209PPB30	3	1.7701	3.4921	1.25	1.6870	0.2598	32700	20900	0.60
		44.96	88.70	31.75	42.85	6.6			
GW210PP3	4	1.4766	3.5433	1.1890	1.1890	0.2598	35000	23200	1.03
		37.53	90.00	30.2	30.2	6.6			
GW210PP9	3	1.9567	3.5433	0.9055	1.4370	0.2598	35000	23200	0.84
		49.70	90.00	23.00	36.5	6.6			
GW211PP2	4	2.1890	3.9370	1.3126	1.3126	0.2992	43300	29200	0.88
		55.58	100	33.3	33.3	7.60			
GW211PP4	4	1.7701	3.9370	1.3125	1.3125	0.2992	43300	29200	0.88
		42.16	100	33.34	33.34	7.6			
GW211PP9	3	2.1949	3.9370	0.9840	1.5630	0.2992	43300	29200	0.75
		55.75	100	25.00	39.7	7.6			
GW211PP13	3	1.7850	3.9370	0.9843	1.3125	0.2992	43300	29200	0.92
		45.34	100	25.00	33.34	7.6			
GW211PPB20	5	2.1949	3.9370	1.2992	1.5748	0.3189	43300	29200	1.05
		55.75	100	33.34	40.00	8.1			
GW211PP21	3	1.7800	3.9803	1.4382	2.1248	0.2992	43300	29200	1.00
		45.21	101.1	36.53	53.97	7.6			
GW211PP25	3	2.0200	3.9370	1.3125	2.3740	0.2992	43300	29200	1.00
		51.31	100	33.34	60.30	7.60			
GW214PP2	4	2.7559	4.9213	1.5630	1.5630	0.3543	62100	44800	1.91
		70.00	125	39.7	39.7	9.00			

Stainless steel Ball Bearings SSUC Type (with setcrews)



Double seal

Shaft Dia.	Bearings No.	Dimensions (mm)											Basic dynamic load rating		Weight (kg)
		d	D	B	C	r	S	S1	S2	ds	Ca	d4	Cr	Cor	
12	SSUC201	12	47	31	17	1	12.7	18.3	4.7	M 6X1	4.5	29	10.9	5.3	0.21
15	SSUC202	15	47	31	17	1	12.7	18.3	4.7	M 6X1	4.5	29	10.9	5.3	0.19
17	SSUC203	17	47	31	17	1	12.7	18.3	4.7	M 6X1	4.5	29	10.9	5.3	0.18
20	SSUC204	20	47	31	17	1.5	12.7	18.3	4.7	M 6X1	4.5	29	10.9	5.3	0.16
25	SSUC205	25	52	34.1	17	1.5	14.3	19.8	5	M 6X1	4.5	34	11.9	6.3	0.19
30	SSUC206	30	62	38.1	19	1.5	15.9	22.2	5	M 6X1	5.1	40.5	16.7	9.0	0.31
35	SSUC207	35	72	42.9	20	2	17.5	25.4	6	M 8X1	5.8	48	22.0	12.3	0.48
40	SSUC208	40	80	49.2	21	2	19	30.2	8	M 8X1	6.2	56	24.9	14.3	0.62
45	SSUC209	45	85	49.2	22	2	19	30.2	8	M 8X1	6.5	57.3	28.1	16.4	0.67
50	SSUC210	50	90	51.6	24	2	19	32.6	10	M 10X1.25	6.5	63	30.2	18.6	0.78
55	SSUC211	55	100	55.6	25	2.5	22.2	33.4	10	M 10X1.25	7.3	70	36.6	23.5	1.09
60	SSUC212	60	110	65.1	27	2.5	25.4	39.7	10	M 10X1.25	7.7	77	44.6	28.9	1.45
65	SSUC213	65	120	65.1	30	2.5	25.4	39.7	10	M 10X1.25	8.3	82.1	48.9	32	1.71

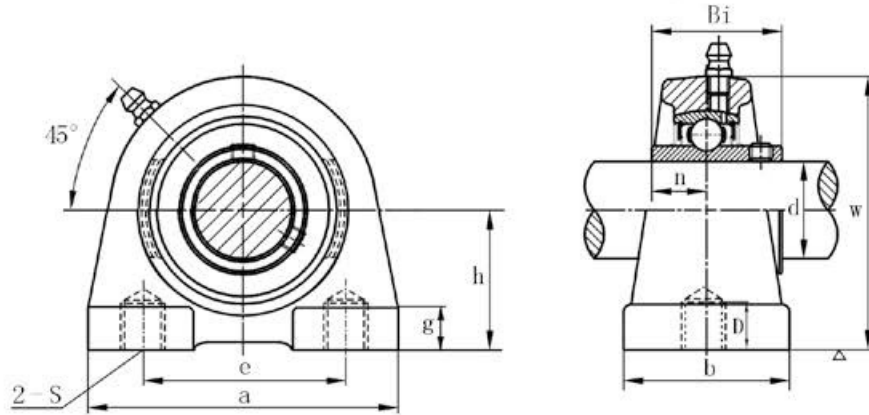
Adapter Sleeve
H 2300


Adapter No.	Bore Dia. Of Sleeve.		Dimensions (mm)			Sleeve No.	Locknut No.	Washer No.	Bearing No.
	d (in)	(mm)	B1	D1	B2				
HE2305 H2305	$\frac{3}{4}$	20	35	38	8	AE2305 A2305	KM05	MB05	UK205 UKX05 UK305
HS2306 HA2306 H2306 HE2306	$\frac{1}{2}$ $1\frac{1}{16}$	25	38	45	8	AS2306 AA2306 A2306 AE2306	KM06	MB06	UK206 UKX06 UK306
HS2307 H2307 HA2307	$1\frac{1}{8}$ $\frac{3}{8}$ $1\frac{1}{16}$	30	43	52	9	AS2307 A2307 AA2307	KM07	MB07	UK207 UKX07 UK307
HE2308 HS2308 H2308	$1\frac{1}{4}$ $1\frac{3}{8}$	35	46	58	10	AE2308 AS2308 A2308	KM08	MB08	UK208 UKX08 UK308
HA2309 HE2309 H2309	$1\frac{1}{16}$ $1\frac{1}{2}$	40	50	65	11	AA2309 AE2309 A2309	KM09	MB09	UK209 UKX09 UK309
HS2310 HA2310 HE2310 H2310	$1\frac{5}{8}$ $1\frac{1}{4}$ $1\frac{3}{16}$ $1\frac{3}{4}$	45	55	70	12	AS2310 AA2310 AE2310 A2310	KM10	MB10	UK210 UKX10 UK310
HS2311 HA2311 H2311 HE2311	$1\frac{7}{8}$ $1\frac{15}{16}$ 2	50	59	75	12	AS2311 AA2311 A2311 AE2311	KM11	MB11	UK211 UKX11 UK311
HS2312 H2312	$2\frac{1}{8}$	55	62	80	13	AS2312 A2312	KM12	MB12	UK212 UKX12 UK312
HA2313 HE2313 H2313 HS2313	$2\frac{3}{16}$ $2\frac{1}{4}$ $2\frac{3}{8}$	60	65	85	14	AA2313 AE2313 A2313 AS2313	KM13	MB13	UK213 UKX13 UK313
HA2315 HE2315 H2315	$2\frac{1}{16}$ $2\frac{1}{2}$	65	73	98	15	AA2315 AE2315 A2315	KM15	MB15	UK215 UKX15 UK315
HA2316 HE2316 H2316	$2\frac{1}{16}$ $2\frac{3}{4}$	70	78	105	17	AA2316 AE2316 A2316	KM16	MB16	UK216 UKX16 UK316
HA2317 H2317 HE2317	$2\frac{15}{16}$ 3	75	82	110	18	AA2317 A2317 AE2317	KM17	MB17	UK217 UKX17 UK317
H2318		80	86	120	18	A2318	KM18	MB18	UK218 UKX18 UK318
HE2319 H2319	$3\frac{1}{4}$	85	90	125	19	AE2319 A2319	KM19	MB19	UKX19 UK319
HE2320 H2320	$3\frac{1}{2}$	90	97	130	20	AE2320 A2320	KM20	MB20	UKX20 UK320
H2322		100	105	145	21	A2322	KM22	MB22	UK322
H2324		110	112	155	22	A2324	KM24	MB24	UK324
H2326		115	121	165	23	A2326	KM26	MB26	UK326
H2328		125	131	180	24	A2328	KM28	MB28	UK328



ΡΟΥΛΕΜΑΝ ΤΡΙΠΛΗΣ ΤΣΙΜΟΥΧΑΣ (R3) TYPE

Tapped-base Pillow Blocks UCPA 200 (normal-duty)



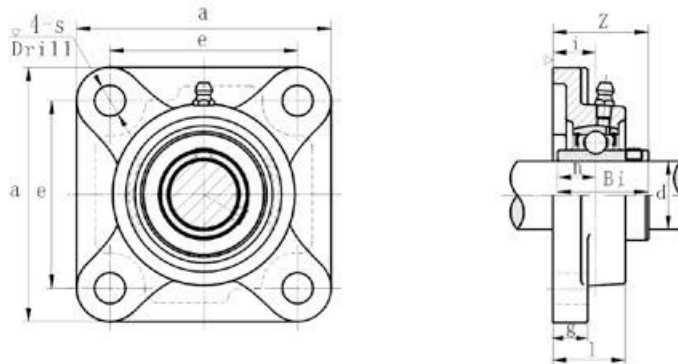
Bearing unit No.	Shaft Dia.		Dimensions (in.) or (mm)										Bolt size (mm)	Bearing No.	Housing No.	Weight (kg)
	d (in.)	d (mm)	h	a	e	b	S (mm)	g	w	D	Bi	n				
UCPA 201 201-8	1/2	12	1 3/16 30.2	3 76	2 3/64 52	1 9/16 40	M10	7/16 11	2 7/16 62	1/2 13	1.2205 31.0	0.5000 12.7	M10	UC 201 201-8	PA 201	0.64
UCPA 202 202-10	5/8	15	1 3/16 30.2	3 76	2 3/64 52	1 9/16 40	M10	7/16 11	2 7/16 62	1/2 13	1.2205 31.0	0.5000 12.7	M10	UC 202 202-10	PA 202	0.64
UCPA 203 203-11	11/16	17	1 3/16 30.2	3 76	2 3/64 52	1 9/16 40	M10	7/16 11	2 7/16 62	1/2 13	1.2205 31.0	0.5000 12.7	M10	UC 203 203-11	PA 203	0.64
UCPA 204-12 204	3/4	20	1 3/16 30.2	3 76	2 3/64 52	1 9/16 40	M10	7/16 11	2 7/16 62	1/2 13	1.2205 31.0	0.5000 12.7	M10	UC 204-12 204	PA 204	0.64
UCPA 205-14 205-15 205 205-16	7/8 15/16 1	25	1 7/16 36.5	3 5/16 84	2 13/64 56	1 25/32 45	M10	15/32 12	2 27/32 72	1/2 13	1.3425 34.1	0.5630 14.3	M10	UC 205-14 205-15 205 205-16	PA 205	0.83
UCPA 206-18 206 206-19	1 1/8 1 3/16	30	1 11/16 42.9	3 11/16 94	2 19/32 66	1 31/32 50	M14	15/32 12	3 5/16 84	25/32 18	1.5000 38.1	0.6260 15.9	M14	UC 206-18 206 206-19	PA 206	1.2
UCPA 207-20 207-21 207-22 207 207-23	1 1/4 1 5/16 1 3/8 1 7/16	35	1 7/8 47.6	4 11/32 110	3 5/32 80	2 5/32 55	M14	1/2 13	3 3/4 95	25/32 20	1.6890 42.9	0.6890 17.5	M14	UC 207-20 207-21 207-22 207 207-23	PA 207	1.7
UCPA 208-24 208-25 208	1 1/2 1 9/16	40	1 15/16 49.2	4 9/16 116	3 5/16 84	2 9/32 58	M14	1/2 13	3 15/16 100	25/32 20	1.9370 49.2	0.7480 19.0	M14	UC 208-24 208-25 208	PA 208	2.0
UCPA 209-26 209-27 209-28 209	1 5/8 1 11/16 1 3/4	45	2 9/64 54.2	4 23/32 120	3 35/64 90	2 3/8 60	M14	1/2 13	4 1/4 108	1 25	1.9370 49.2	0.7480 19.0	M14	UC 209-26 209-27 209-28 209	PA 209	2.2
UCPA 210-30 210-31 210 210-32	1 7/8 1 15/16 2	50	2 1/4 57.2	5 1/8 130	4 45/64 94	2 17/32 64	M16	9/16 14	4 9/16 116	1 25	2.0315 51.6	0.7480 19.0	M16	UC 210-30 210-31 210 210-32	PA 210	2.8



PREMIUM QUALITY BEARINGS

ΕΔΡΑΝΑ ΕΝΙΣΧΥΜΕΝΑ R3 TYPE

Flange Units (Square)

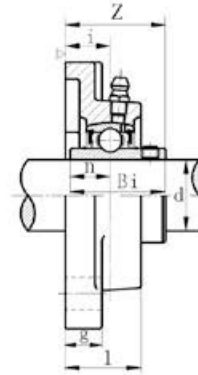
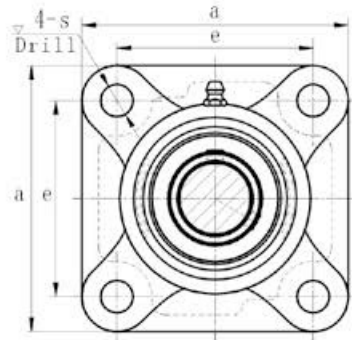


Bearing unit No.	Shaft Dia.		Dimensions (in.) or (mm)									Bolt Size		bearing No.	Housing No.	Weight (kg)
	d (in.)	d (mm)	a	e	i	g	l	s	Z	Bi	ti	(mm)	(in.)			
UCF X05 X05-16	1	25	4 1/4 108	3 17/64 83	45/64 18	1/2 13	1 3/16 30	1 19/32 12	1 19/32 40.2	1.5000 38.1	0.6260 15.9	M10	3/8	UC X05 X05-16	F X05	1.1
UCF X06 X06-19 X06-20	1 3/16 1 1/4	30	4 19/32 117	3 5/8 92	3/4 19	9/16 14	1 11/32 34	5/8 16	1 3/4 44.4	1.6890 42.9	0.6890 17.5	M14	1/2	UC X06 X06-19 X06-20	F X06	1.4
UCF X07-20 X07-22 X07 X07-23	1 1/4 1 3/8 1 7/16	35	5 1/8 130	4 1/64 102	53/64 21	9/16 14	1 1/2 38	5/8 16	2 1/2 51.2	1.9370 49.2	0.7480 19.0	M14	1/2	UC X07-20 X07-22 X07 X07-23	F X07	1.9
UCF X08-24 X08	1 1/2	40	5 13/32 137	4 7/64 105	65/64 22	9/16 14	1 9/16 40	3/4 19	2 1/8 52.2	1.9370 49.2	0.7480 19.0	M16	5/8	UC X08-24 X08	F X08	2.1
UCF X09-26 X09-27 X09-28 X09	1 5/8 1 11/16 1 3/4	45	5 5/8 143	4 3/8 111	29/32 23	9/16 14	1 9/16 40	3/4 19	2 3/8 55.6	2.0315 51.6	0.7480 19.0	M16	5/8	UC X09-26 X09-27 X09-28 X09	F X09	2.5
UCF X10-30 X10-31 X10 X10-32	1 7/8 1 15/16 2	50	6 3/8 162	5 1/8 130	1 1/2 26	25/32 20	1 23/32 44	3/4 19	2 11/2 59.4	2.1890 55.6	0.8740 22.2	M16	5/8	UC X10-30 X10-31 X10 X10-32	F X10	3.6
UCF X11 X11-34 X11-35 X11-36	2 3/8 2 7/16 2 1/4	55	6 7/8 175	5 5/8 143	1 3/4 29	25/32 20	1 15/16 49	3/4 19	2 3/2 68.7	2.5630 65.1	1.0000 25.4	M16	5/8	UC X11 X11-34 X11-35 X11-36	F X11	4.7
UCF X12-36 X12 X12-38 X12-39	2 3/4 2 3/8 2 1/2	60	7 3/8 187	5 55/64 149	1 11/32 34	13/16 21	2 5/16 59	3/4 19	2 29/32 73.7	2.5630 65.1	1.0000 25.4	M16	5/8	UC X12-36 X12 X12-38 X12-39	F X12	5.5
UCF X13-40 X13	2 1/2	65	7 3/8 187	5 55/64 149	1 11/32 34	13/16 21	2 5/16 59	3/4 19	3 3/32 78.4	2.9370 74.6	1.1890 30.2	M16	5/8	UC X13-40 X13	F X13	5.9
UCF X14-44 X14	2 3/4	70	7 3/4 197	5 63/64 152	1 29/64 37	15/16 24	2 3/8 60	29/32 23	3 7/32 81.5	3.0630 77.8	1.3110 33.3	M20	3/4	UC X14-44 X14	F X14	7.3
UCF X15 X15-47 X15-48	2 15/16 3	75	7 3/4 197	5 63/64 152	1 37/64 40	15/16 24	2 11/16 68	29/32 23	3 17/32 89.3	3.2520 82.6	1.3110 33.3	M20	3/4	UC X15 X15-47 X15-48	F X15	8.0
UCF X16 X16-50	3 1/8	80	8 1/8 214	6 41/64 171	1 37/64 40	15/16 24	2 3/4 70	29/32 23	3 19/32 91.6	3.3740 85.7	1.3425 34.1	M20	3/4	UC X16 X16-50	F X16	9.8
UCF X17 X17-52	3 1/4	85	8 7/16 214	6 41/64 171	1 37/64 40	15/16 24	2 3/4 70	29/32 23	3 25/32 96.3	3.7795 96.0	1.5630 39.7	M20	3/4	UC X17 X17-52	F X17	10.5
UCF X18-56 X18	3 1/2	90	8 7/16 214	6 41/64 171	1 47/64 45	15/16 24	3 76	29/32 23	4 1/8 106.1	4.0945 104.0	1.6890 42.9	M20	3/4	UC X18-56 X18	F X18	11.2
UCF X20 X20-64	4	100	10 9/16 268	8 9/16 211	2 21/64 59	1 7/32 31	3 31/64 97	1 7/32 31	5 3/8 127.3	4.6260 117.5	1.9370 49.2	M27	1	UC X20 X20-64	F X20	18.1



Flange Units (Square)

UCF 300 (heavy-duty)



Bearing unit No.	Shaft Dia.		Dimensions (in.) or (mm)										Bolt Size		Bearing No.	Housing No.	Weight (kg)
	d (in.)	d (mm)	a	e	i	g	l	s	z	Bi	n	(mm)	(in.)				
UCF 305 305-16	1	25	4 ¹¹ / ₃₂ 110	3 ⁵ / ₃₂ 80	1/8 16	1/2 13	1 ⁵ / ₃₂ 29	3/8 16	1 ¹⁷ / ₃₂ 39	1.4961 38	0.5906 15	M14	1/2	UC 305 305-16	F 305	1.2	
UCF 306-18 306 306-19	1 ¹ / ₈ 1 ¹ / ₁₆	30	4 ²⁹ / ₃₂ 125	3 ⁴⁷ / ₆₄ 95	5/64 18	19/32 15	1 ¹ / ₄ 32	3/8 16	1 ²³ / ₃₂ 44	1.6929 43	0.6693 17	M14	1/2	UC 306-18 306 306-19	F 306	1.8	
UCF 307-20 307-22 307 307-23	1 ¹ / ₈ 1 ¹ / ₈ 1 ¹ / ₁₆	35	5 ³ / ₁₆ 135	3 ¹⁵ / ₁₆ 100	2 ⁹ / ₃₂ 20	1/8 16	1 ¹³ / ₃₂ 36	1/4 19	1 ¹⁵ / ₁₆ 49	1.8897 48	0.7480 19	M16	3/8	UC 307-20 307-22 307 307-23	F 307	2.2	
UCF 308-24 308	1 ¹ / ₂	40	5 ²⁹ / ₃₂ 150	4 ¹³ / ₃₂ 112	2 ⁹ / ₃₂ 23	2 ¹ / ₃₂ 17	1 ⁹ / ₁₆ 40	1/4 19	2 ⁷ / ₃₂ 56	2.0472 52	0.7480 19	M16	3/8	UC 308-24 308	F 308	3.0	
UCF 309-28 309	1 ³ / ₄	45	6 ³ / ₁₆ 160	4 ⁵⁹ / ₆₄ 125	6 ³ / ₆₄ 25	2 ⁹ / ₃₂ 18	1 ²³ / ₃₂ 44	1/4 19	2 ³ / ₈ 60	2.2441 57	0.8661 22	M16	3/8	UC 309-28 309	F 309	3.8	
UCF 310-31 310 310-32	1 ⁵ / ₁₆ 2	50	6 ⁷ / ₈ 175	5 ¹³ / ₆₄ 132	1 ¹ / ₈ 28	1/4 19	1 ⁷ / ₈ 48	2 ⁹ / ₃₂ 23	1 ⁵ / ₈ 67	2.4015 61	0.8661 22	M20	1/4	UC 310-31 310 310-32	F 310	4.9	
UCF 311-32 311	2	55	7 ³ / ₃₂ 185	5 ³³ / ₆₄ 140	1 ¹ / ₈ 30	2 ⁹ / ₃₂ 20	2 ¹ / ₁₆ 52	2 ⁹ / ₃₂ 23	2 ²⁵ / ₃₂ 71	2.5984 66	0.9842 25	M20	1/4	UC 311-32 311	F 311	5.6	
UCF 312 312-36	2 ¹ / ₄	60	7 ¹ / ₁₆ 195	5 ²⁹ / ₃₂ 150	1 ¹³ / ₆₄ 33	1/8 22	2 ³ / ₃₂ 56	2 ⁹ / ₃₂ 23	3 ¹ / ₁₆ 78	2.7953 71	1.0236 26	M20	1/4	UC 312 312-36	F 312	6.8	
UCF 313-40 313	2 ¹ / ₂	65	8 ³ / ₁₆ 208	6 ¹⁷ / ₃₂ 166	1 ¹⁹ / ₆₄ 33	1/8 22	2 ⁹ / ₃₂ 58	2 ⁹ / ₃₂ 23	3 ¹ / ₁₆ 78	2.9528 75	1.1881 30	M20	1/4	UC 313-40 313	F 313	7.8	
UCF 314-44 314	2 ³ / ₄	70	8 ²⁹ / ₃₂ 226	7 ¹ / ₈ 178	1 ² / ₆₄ 36	1 26	2 ¹³ / ₃₂ 61	5/64 25	3 ³ / ₁₆ 81	3.0709 78	1.2992 33	M22	1/8	UC 314-44 314	F 314	9.8	
UCF 315 315-47 315-48	2 ¹⁵ / ₃₂ 2 ¹ / ₃	75	9 ⁹ / ₃₂ 236	7 ¹ / ₄ 184	1 ¹ / ₃₂ 39	1 25	2 ¹⁹ / ₃₂ 66	6/64 25	3 ¹ / ₂ 89	3.2283 82	1.2598 32	M22	1/8	UC 315 315-47 315-48	F 315	11.6	
UCF 316 316-50	1 3 ¹ / ₈	80	9 ²⁷ / ₃₂ 250	7 ²³ / ₃₂ 196	1 ¹ / ₈ 38	1 ¹ / ₁₆ 27	2 ¹ / ₁₆ 68	1 ¹ / ₃₂ 31	3 ¹⁷ / ₃₂ 90	3.3858 86	1.3386 34	M27	1	UC 316 316-50	F 316	13.2	
UCF 317		85	10 ⁴ / ₃₂ 260	8 ¹³ / ₃₂ 204	1 ¹ / ₆₄ 44	1 ¹ / ₁₆ 27	2 ²⁹ / ₃₂ 74	1 ¹ / ₃₂ 31	3 ¹⁹ / ₁₆ 100	3.7795 96	1.5748 40	M27	1	UC 317	F 317	15.2	
UCF 318-56 318	3 ¹ / ₂	90	11 ¹ / ₃₂ 280	8 ⁷ / ₂ 216	1 ¹ / ₈ 44	1 ¹ / ₁₆ 30	3 76	1 ¹ / ₈ 35	3 ¹⁹ / ₁₆ 106	3.7795 96	1.5748 46	M30	1 ¹ / ₈	UC 318-56 318	F 318	18.8	
UCF 319		95	11 ¹³ / ₃₂ 290	8 ³³ / ₃₂ 228	2 ⁷ / ₆₄ 59	1 ¹ / ₁₆ 30	3 ¹⁷ / ₁₆ 94	1 ¹ / ₃₂ 35	4 ¹ / ₄ 121	4.0551 103	1.6142 41	M30	1 ¹ / ₈	UC 319	F 319	21.1	
UCF 320 320-64	4	100	12 ⁷ / ₃₂ 310	9 ¹⁷ / ₃₂ 242	2 ¹ / ₆₄ 59	1 ¹ / ₄ 32	3 ¹ / ₁₆ 94	1 ¹ / ₂ 38	4 ²⁹ / ₃₂ 125	4.2519 108	1.6535 42	M33	1 ¹ / ₄	UC 320 320-64	F 320	25.3	
UCF 322		110	13 ³ / ₈ 340	10 ¹³ / ₃₂ 266	2 ⁷ / ₆₄ 60	1 ¹ / ₈ 35	3 ²⁹ / ₃₂ 96	1 ¹ / ₆₄ 41	5 ³ / ₃₂ 131	4.6063 117	1.8110 46	M36	1 ³ / ₈	UC 322	F 322	35.0	
UCF 324		120	14 ⁹ / ₁₆ 370	11 ²⁷ / ₆₄ 290	2 ³ / ₁₆ 65	1 ¹ / ₈ 40	4 ¹ / ₁₀ 110	1 ³⁵ / ₆₄ 41	5 ¹ / ₂ 140	4.9806 126	2.0079 51	M36	1 ³ / ₈	UC 324	F 324	47.2	
UCF 326		130	16 ⁵ / ₁₆ 410	12 ¹¹ / ₃₂ 320	2 ¹ / ₁₆ 65	1 ²⁵ / ₃₂ 45	4 ¹ / ₂ 115	1 ²⁹ / ₆₄ 41	5 ³ / ₂ 146	5.3150 135	2.1260 54	M36	1 ³ / ₈	UC 326	F 326	64.1	
UCF 328		140	17 ²³ / ₃₂ 450	13 ²⁷ / ₃₂ 350	2 ⁹ / ₆₄ 75	2 ⁵ / ₃₂ 56	5 ¹⁹ / ₃₂ 125	1 ²⁹ / ₆₄ 41	6 ¹ / ₃₂ 161	5.7086 145	2.3228 59	M36	1 ³ / ₈	UC 328	F 328	90.2	

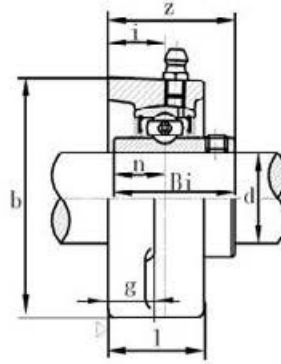
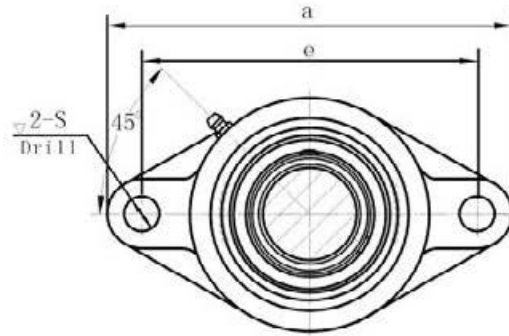


PREMIUM QUALITY BEARINGS

ΕΔΡΑΝΑ ΕΝΙΣΧΥΜΕΝΑ R3 TYPE

Super Precision Flange Units(Oval)

UCFL 200 (Solid Base)

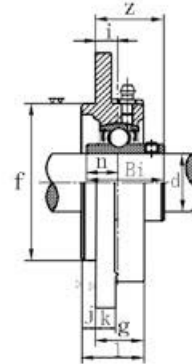
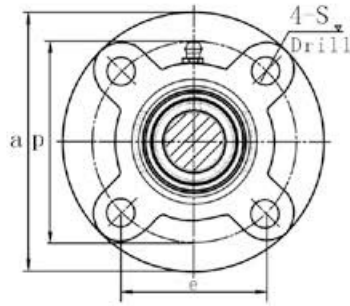


Bearing Unit No.	Shaft Dia.		Dimensions (in.) or (mm)										Bolt Size		Bearing No.	Housing No	Weight (kg)
	d		a	e	i	g	l	s	b	z	Bi	n					
	(in.)	(mm)											(mm)	(in.)			
UCFL 201 201-8	1/2	12	4-7/16 113	2-35/64 90	19/32 15	15/32 12	1 25.5	15/32 12	23/8 60	15/16 33.3	1.2205 31.0	0.5000 12.7	#10	3/8	UC 201 201-8	FL 201	0.50
UCFL 202 202-10	5/8	15	4-7/16 113	2-35/64 90	19/32 15	15/32 12	1 25.5	15/32 12	23/8 60	15/16 33.3	1.2205 31.0	0.5000 12.7	#10	3/8	UC 202 202-10	FL 202	0.50
UCFL 203 203-11	11/16	17	4-7/16 113	2-35/64 90	19/32 15	15/32 12	1 25.5	15/32 12	23/8 60	15/16 33.3	1.2205 31.0	0.5000 12.7	#10	3/8	UC 203 203-11	FL 203	0.50
UCFL 204-12 204	3/4	20	4-7/16 113	2-35/64 90	19/32 15	15/32 12	1 25.5	15/32 12	23/8 60	15/16 33.3	1.2205 31.0	0.5000 12.7	#10	3/8	UC 204-12 204	FL 204	0.50
UCFL 205-14 205-15 205 205-16	7/8 15/16 1 1	25	5-1/8 130	3-57/64 99	5/8 16	33/64 13	11/16 27	5/8 16	211/16 68	113/32 35.8	1.3425 34.1	0.5630 14.3	#14	1/2	UC 205-14 205-15 205 205-16	FL 205	0.60
UCFL 206-18 206 206-19 206-20	1-1/8 13/16 1-1/4	30	5-13/16 148	4-39/64 117	45/64 18	9/16 14	17/32 31	5/8 16	35/32 80	119/32 40.2	1.5000 38.1	0.6260 15.9	#14	1/2	UC 206-18 206 206-19 206-20	FL 206	1.00
UCFL 207-20 207-21 207-22 207 207-23	1-1/4 1-5/16 1-3/8 1-7/16	35	6-11/32 161	5-1/8 130	3/4 19	19/32 15	111/32 34	5/8 16	317/32 90	13/4 44.4	1.6890 42.9	0.6890 17.5	#14	1/2	UC 207-20 207-21 207-22 207 207-23	FL 207	1.20
UCFL 208-24 208-25 208	1-1/2 1-9/16	40	6-7/8 175	5-43/64 144	53/64 21	5/8 16	113/32 36	5/8 16	315/16 100	21/64 51.2	1.9370 49.2	0.7480 19.0	#14	1/2	UC 208-24 208-25 208	FL 208	1.60
UCFL 209-26 209-27 209-28 209	1-5/8 1-11/16 1-3/4	45	7-13/32 188	5-53/64 148	55/64 22	5/8 16	11/2 38	3/4 19	41/4 108	21/16 52.2	1.9370 49.2	0.7480 19.0	#16	5/8	UC 209-26 209-27 209-28 209	FL 209	1.90
UCFL 210-30 210-31 210 210-32	1-7/8 1-15/16 2	50	7-3/4 197	6-3/16 157	55/64 22	23/32 18	19/16 40	3/4 19	417/32 115	25/32 54.6	2.0315 51.6	0.7480 19.0	#16	5/8	UC 210-30 210-31 210 210-32	FL 210	2.20
UCFL 211-32 211-34 211 211-35	2 2-1/8 2-3/16	55	8-13/16 224	7-1/4 184	63/64 25	23/32 18	111/16 43	3/4 19	51/8 130	219/64 58.4	2.1890 55.6	0.8740 22.2	#16	5/8	UC 211-32 211-34 211 211-35	FL 211	3.30
UCFL 212-36 212 212-38 212-39	2-1/4 2-3/8 2-7/16	60	9-27/32 250	7-61/64 202	19/64 29	23/32 18	17/8 48	29/32 23	51/2 140	245/64 68.7	2.5630 65.1	1.0000 25.4	#20	3/4	UC 212-36 212 212-38 212-39	FL 212	4.20

ΕΝΙΣΧΥΜΕΝΑ ΕΔΡΑΝΑ AGRI ΜΕ ΤΡΙΠΛΗ ΜΕ ΤΡΙΠΛΗ ΤΣΙΜΟΥΧΑ R3 TYPE

Flange Cartridge Units

UCFC 200 (normal-duty)



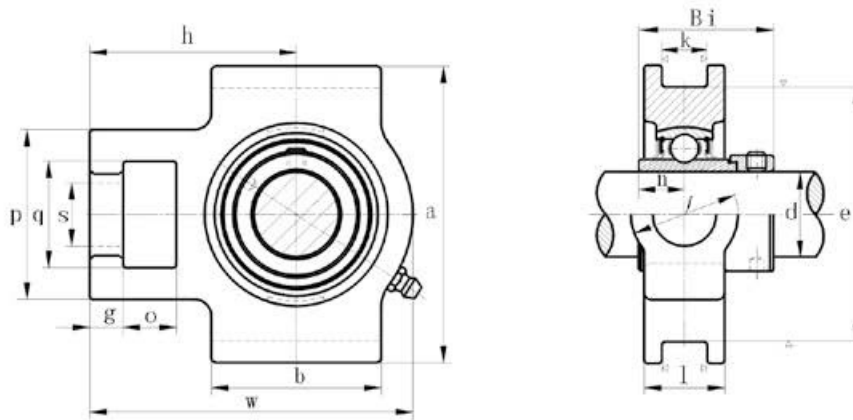
Bearing unit No.	Shaft Dia.		Dimensions (in.) or (mm)													Bolt Size		Bearing No.	Housing No.	Weight (kg)
	d		a	p	e	i	l	s	j	k	g	f	z	Bi	ti	(mm)	(in.)			
	(in.)	(mm)																		
UCFC 201 201-8	1/2	12	3 15/16 100	3 5/64 78	2 11/64 55.1	25/64 10	1 25.5	15/32 12	13/64 5	9/32 7	13/16 20.5	2.4409 62	1 1/8 28.3	1.2205 31.0	0.5000 12.7	M10	3/8	UC 201 201-8	FC 201	0.78
UCFC 202 202-10	5/8	15	3 15/16 100	3 5/64 78	2 11/64 55.1	25/64 10	1 25.5	15/32 12	13/64 5	9/32 7	13/16 20.5	2.4409 62	1 1/8 28.3	1.2205 31.0	0.5000 12.7	M10	3/8	UC 202 202-10	FC 202	0.78
UCFC 203 203-11	1 1/16	17	3 15/16 100	3 5/64 78	2 11/64 55.1	25/64 10	1 25.5	15/32 12	13/64 5	9/32 7	13/16 20.5	2.4409 62	1 1/8 28.3	1.2205 31.0	0.5000 12.7	M10	3/8	UC 203 203-11	FC 203	0.78
UCFC 204-12 204	3/4	20	3 15/16 100	3 5/64 78	2 11/64 55.1	25/64 10	1 25.5	15/32 12	13/64 5	9/32 7	13/16 20.5	2.4409 62	1 1/8 28.3	1.2205 31.0	0.5000 12.7	M10	3/8	UC 204-12 204	FC 204	0.78
UCFC 205-14 205-15 205 205-16	7/8 1 1/16 1	25	4 17/32 115	3 35/64 90	2 1/2 63.6	25/64 10	1 1/16 27	15/32 12	15/64 6	9/32 7	93/64 21	2.7559 70	1 1/4 29.8	1.3425 34.1	0.5630 14.3	M10	3/8	UC 205-14 205-15 205 205-16	FC 205	0.95
UCFC 206-18 206 206-19 206-20	1 1/8 1 1/16 1 1/4	30	4 29/32 125	3 15/16 100	2 25/32 70.7	25/64 10	1 7/32 31	15/32 12	5/16 8	5/16 8	29/32 23	3.1496 80	1 9/32 32.2	1.5000 38.1	0.6260 15.9	M10	3/8	UC 206-18 206 206-19 206-20	FC 206	1.4
UCFC 207-20 207-21 207-22 207 207-23	1 1/4 1 1/16 1 3/8 1 7/16	35	5 5/16 135	4 21/64 110	3 1/16 77.8	7/16 11	1 11/32 34	35/64 14	5/16 8	11/32 9	1 1/32 26	3.5433 90	1 7/16 36.4	1.6890 42.9	0.6890 17.5	M12	7/16	UC 207-20 207-21 207-22 207 207-23	FC 207	1.7
UCFC 208-24 208-25 208	1 1/2 1 1/16	40	5 29/32 145	4 23/32 120	3 11/32 84.8	7/16 11	1 27/64 36	35/64 14	25/64 10	11/32 9	1 1/32 26	3.9370 100	1 5/8 41.2	1.9370 49.2	0.7480 19.0	M12	7/16	UC 208-24 208-25 208	FC 208	2.0
UCFC 209-26 209-27 209-28 209	1 5/8 1 1/16 1 3/4	45	6 5/16 160	5 19/64 132	3 43/64 93.3	25/64 10	1 1/2 38	5/8 16	15/32 12	9/16 14	1 1/32 26	4.1339 105	1 19/32 40.2	1.9370 49.2	0.7480 19.0	M14	1/2	UC 209-26 209-27 209-28 209	FC 209	2.8
UCFC 210-30 210-31 210	1 7/8 1 1/16	50	6 1/2 165	5 7/16 138	3 27/32 97.6	25/64 10	1 9/16 40	5/8 16	15/32 12	9/16 14	1 3/32 28	4.3307 110	1 11/16 42.6	2.0315 51.6	0.7480 19.0	M14	1/2	UC 210-30 210-31 210	FC 210	3.0
UCFC 211-32 211-34 211 211-35	2 2 1/8 2 3/16	55	7 3/32 185	5 29/32 150	4 11/64 106.1	33/64 13	1 1/16 43	3/4 19	15/32 12	19/32 15	1 7/32 31	4.9213 125	1 13/16 46.4	2.1890 55.6	0.8740 22.2	M16	5/8	UC 211-32 211-34 211 211-35	FC 211	4.0
UCFC 212-36 212 212-38 212-39	2 1/4 2 3/8 2 1/16	60	7 11/16 195	6 19/64 160	4 29/64 113.1	43/64 17	1 7/8 48	3/4 19	15/32 12	19/32 15	1 27/64 36	5.3150 135	2 7/32 56.7	2.5630 65.1	1.0000 25.4	M16	5/8	UC 212-36 212 212-38 212-39	FC 212	4.7
UCFC 213-40 213	2 1/2	65	8 1/16 205	6 11/16 170	4 49/64 120.2	3/8 16	1 25/32 50	7/8 19	35/64 14	19/32 15	1 27/64 36	5.7087 145	2 3/16 55.7	2.5630 65.1	1.0000 25.4	M16	5/8	UC 213-40 213	FC 213	5.4
UCFC 214-44 214	2 3/4	70	8 15/32 215	6 31/32 177	4 99/64 125.1	43/64 17	2 1/8 54	3/4 19	35/64 14	19/32 15	1 9/16 18	5.9055 150	2 13/32 61.4	2.9370 74.6	1.1890 30.2	M16	5/8	UC 214-44 214	FC 214	6.8
UCFC 215 215-48	3	75	8 23/32 220	7 1/4 184	5 1/8 130.1	45/64 18	2 1/2 56	3/4 19	5/8 16	25/32 18	1 9/16 40	6.2992 160	2 15/32 62.5	3.0630 77.8	1.3110 33.3	M16	5/8	UC 215 215-48	FC 215	7.3
UCFC 216		80	9 1/16 240	7 1/8 200	5 1/16 141.4	49/64 18	2 25/32 58	3/4 23	5/8 16	25/32 18	1 25/32 42	6.6929 170	2 23/32 67.3	3.2520 82.6	1.3110 33.3	M20	3/4	UC 216	FC 216	8.9
UCFC 217-52 217	3 1/4	85	9 29/32 250	8 3/16 208	5 5/64 147.1	45/64 18	2 15/32 63	3/4 23	5/8 18	25/32 20	1 29/32 45	7.0866 180	2 3/4 69.6	3.3740 85.7	1.3425 34.1	M20	3/4	UC 217-52 217	FC 217	10.4
UCFC 218-56 218	3 1/2	90	10 7/16 265	8 21/32 220	6 1/8 155.5	55/64 22	2 11/16 68	3/4 23	5/8 18	25/32 20	1 31/32 50	7.4803 190	3 3/32 78.3	3.7795 96.0	1.5630 39.7	M20	3/4	UC 218-56 218	FC 218	13.0



ΡΟΥΛΕΜΑΝ ΤΡΙΠΛΗΣ ΤΣΙΜΟΥΧΑΣ (R3) TYPE

Take-up Units

HCT 200 (narrow metric slot)

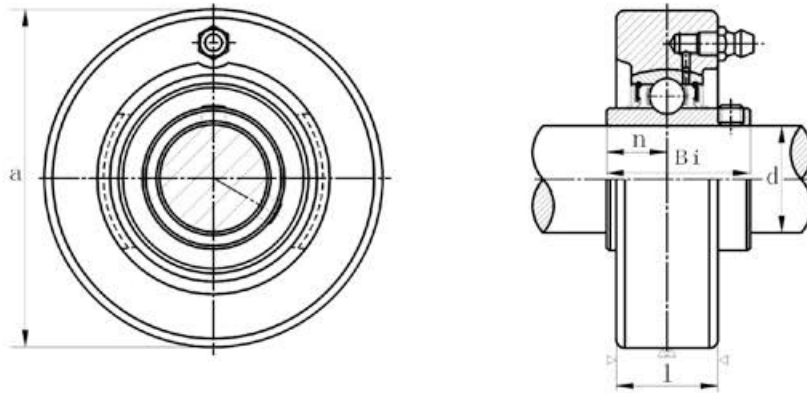


Bearing unit No.	Shaft Dia.		Dimensions (mm)														Bearing No.	Housing No.	Weight (kg)	
	d (in.)	d (mm)	o	g	p	q	s	b	k	e	a	w	j	l	h	Bi				n
HCT 201 201-8	1/2	12	16	10	51	32	19	51	12	76	89	94	32	21	61	37.3	13.9	HC 201 201-8	T 201	0.87
HCT 202 202-10	5/8	15	16	10	51	32	19	51	12	76	89	94	32	21	61	37.3	13.9	HC 202 202-10	T 202	0.87
HCT 203 203-11	11/16	17	16	10	51	32	19	51	12	76	89	94	32	21	61	37.3	13.9	HC 203 203-11	T 203	0.87
HCT 204-12 204	3/4	20	16	10	51	32	19	51	12	76	89	94	32	21	61	43.7	17.1	HC 204-12 204	T 204	0.87
HCT 205-14 205-15 205	7/8	25	16	10	51	32	19	51	12	76	89	97	32	24	62	44.3	17.4	HC 205-14 205-15 205	T 205	0.92
HCT 205-16 205-16	1	25	16	10	51	32	19	51	12	76	89	97	32	24	62	44.3	17.4	HC 205-14 205-15 205	T 205	0.92
HCT 206-18 206 206-19 206-20	1 1/8	30	16	10	56	37	22	57	12	89	102	113	37	28	70	48.4	18.2	HC 206-18 206 206-19 206-20	T 206	1.39
HCT 207-20 207-21 207-22 207 207-23	1 1/4	35	16	13	64	37	22	64	12	89	102	129	37	30	78	51.1	18.8	HC 207-20 207-21 207-22 207 207-23	T 207	1.83
HCT 208-24 208-25 208	1 1/2	40	19	16	83	49	29	83	16	102	114	144	49	33	88	56.3	21.4	HC 208-24 208-25 208	T 208	2.64
HCT 209-26 209-27 209-28 209	1 3/8	45	19	16	83	49	29	83	16	102	117	144	49	35	87	56.3	21.4	HC 209-26 209-27 209-28 209	T 209	2.67
HCT 210-30 210-31 210 210-32	1 3/4	50	19	16	83	49	29	86	16	102	117	149	49	37	90	62.7	24.6	HC 210-30 210-31 210 210-32	T 210	2.81
HCT 211-32 211-34 211 211-35	2	55	25	19	102	64	35	95	22	130	146	171	64	38	106	71.4	27.7	HC 211-32 211-34 211 211-35	T 211	4.27
HCT 212-36 212 212-38 212-39	2 1/4	60	32	19	102	64	35	102	22	130	146	194	64	42	119	77.8	30.9	HC 212-36 212 212-38 212-39	T 212	5.26
HCT 213-40 213	2 1/2	65	32	21	111	70	41	121	26	151	167	224	70	44	137	85.7	34.1	HC 213-40 213	T 213	7.55
HCT 214 214-42 214-43	2 5/8	70	32	21	111	70	41	121	26	151	167	224	70	46	137	85.7	34.1	HCT 214 214-42 214-43	T 214	7.7
HCT 215 215-47 215-48	2 7/8	75	32	21	111	70	41	121	26	151	167	232	70	48	140	92.1	37.3	HC 215 215-47 215-48	T 215	8.13

ΡΟΥΛΕΜΑΝ ΤΡΙΠΛΗΣ ΤΣΙΜΟΥΧΑΣ (R3) ΤΥΠΕ

Cartridge Units

UCC X00

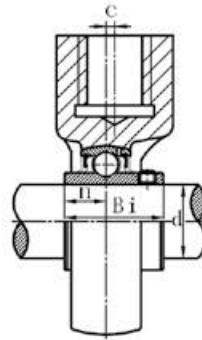
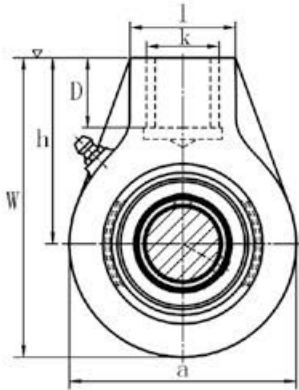


Bearing unit No.	Shaft Dia.		Dimensions (in.) or (mm)				Bearing No.	Housing No.	Weight (kg)
	d (in.)	d (mm)	a	l	Bi	n			
UCC X05-14 X05-15 X05 X05-16	$\frac{7}{8}$ $1\frac{5}{16}$ 1	25	3.5433 90	$1\frac{1}{8}$ 27	1.5000 38.1	0.6260 15.9	UC X05-14 X05-15 X05 X05-16	C X05	1.0
UCC X06-18 X06 X06-19 X06-20	$1\frac{1}{8}$ $1\frac{3}{16}$ $1\frac{1}{4}$	30	3.9370 100	$1\frac{3}{16}$ 30	1.6890 42.9	0.6890 17.5	UC X06-18 X06 X06-19 X06-20	C X06	1.3
UCC X07-20 X07-21 X07-22 X07 X07-23	$1\frac{1}{4}$ $1\frac{5}{16}$ $1\frac{3}{8}$ $1\frac{7}{16}$	35	4.3307 110	$1\frac{1}{2}$ 34	1.9370 49.2	0.7480 19.0	UC X07-20 X07-21 X07-22 X07 X07-23	C X07	1.9
UCC X08-24 X08-25 X08	$1\frac{1}{2}$ $1\frac{9}{16}$	40	4.7244 120	$1\frac{1}{2}$ 38	1.9370 49.2	0.7480 19.0	UC X08-24 X08-25 X08	C X08	2.3
UCC X09-26 X09-27 X09-28 X09	$1\frac{5}{8}$ $1\frac{11}{16}$ $1\frac{3}{4}$	45	4.7244 120	$1\frac{1}{2}$ 38	2.0315 51.6	0.7480 19.0	UC X09-26 X09-27 X09-28 X09	C X09	2.5
UCC X10-30 X10-31 X10 X10-32	$1\frac{7}{8}$ $1\frac{15}{16}$ 2	50	5.1181 130	$1\frac{37}{64}$ 40	2.1890 55.6	0.8740 22.2	UC X10-30 X10-31 X10 X10-32	C X10	2.8
UCC X11-32 X11-34 X11 X11-35	2 $2\frac{1}{8}$ $2\frac{3}{16}$	55	5.9055 150	$2\frac{1}{2}$ 42	2.5630 65.1	1.0000 25.4	UC X11-32 X11-34 X11 X11-35	C X11	4.7
UCC X12-36 X12 X12-38 X12-39	$2\frac{1}{4}$ $2\frac{3}{8}$ $2\frac{1}{2}$	60	6.2992 160	$2\frac{1}{2}$ 44	2.5630 65.1	1.0000 25.4	UC X12-36 X12 X12-38 X12-39	C X12	5.1

ΕΔΡΑΝΑ ΕΝΙΣΧΥΜΕΝΑ ΤΡΙΠΛΗΣ ΤΣΙΜΟΥΧΑΣ R3 TYPE

 Screw Conveyor
 Hanger Units

UCHA 200 (normal - duty)

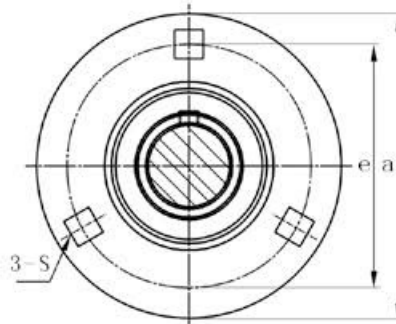
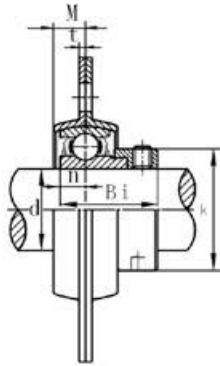


Bearing unit No.	Shaft Dia.		Dimensions (in.) or (mm)									Bearing No.	Housing No.	Weight (kg)
	d (in.)	d (mm)	a	W	c	h	l	D	k (in.)	Bi	n			
UCHA 201 201-8	1/2	12	2 17/32 64	3 25/32 96	0	2 33/64 64	1 9/16 40	3/4 19	G 3/4	1.2205 31.0	0.5000 12.7	UC 201 201-8	HA 201	0.77
UCHA 202 202-10	5/8	15	2 17/32 64	3 25/32 96	0	2 33/64 64	1 9/16 40	3/4 19	G 3/4	1.2205 31.0	0.5000 12.7	UC 202 202-10	HA 202	0.77
UCHA 203 203-11	1 1/16	17	2 17/32 64	3 25/32 96	0	2 33/64 64	1 9/16 40	3/4 19	G 3/4	1.2205 31.0	0.5000 12.7	UC 203 203-11	HA 203	0.77
UCHA 204-12 204	3/4	20	2 17/32 64	3 25/32 96	0	2 33/64 64	1 9/16 40	3/4 19	G 3/4	1.2205 31.0	0.5000 12.7	UC 204-12 204	HA 204	0.77
UCHA 205-14 205-15 205 205-16	7/8 1 5/16 1	25	3 1/16 78	4 1/16 103	0	2 39/64 64	1 9/16 40	3/4 19	G 3/4	1.3425 34.1	0.5630 14.3	UC 205-14 205-15 205 205-16	HA 205	0.87
UCHA 206-18 206 206-19 206-20	1 1/8 1 3/16 1 1/4	30	3 1/16 78	4 1/16 103	0	2 39/64 64	1 9/16 40	3/4 19	G 3/4	1.5000 38.1	0.6260 15.9	UC 206-18 206 206-19 206-20	HA 206	0.83
UCHA 207-20 207-21 207-22 207 207-23	1 1/4 1 5/16 1 3/8 1 3/16	35	3 5/8 92	4 9/16 116	0	2 3/4 70	1 9/16 40	3/4 19	G 3/4	1.6890 42.9	0.6890 17.5	UC 207-20 207-21 207-22 207 207-23	HA 207	1.2
UCHA 208-24 208-25 208	1 1/2 1 5/8	40	3 25/32 96	4 3/4 121	5/64 2	2 7/8 73	1 9/16 40	3/4 19	G 3/4	1.9370 49.2	0.7480 19.0	UC 208-24 208-25 208	HA 208	1.3
UCHA 209-26 209-27 209-28 209	1 5/8 1 13/16 1 3/4	45	4 1/4 108	5 11/32 136	13/64 5	3 15/64 82	1 7/8 48	13/16 21	G1	1.9370 49.2	0.7480 19.0	UC 209-26 209-27 209-28 209	HA 209	1.7
UCHA 210-30 210-31 210 210-32	1 7/8 1 15/16 2	50	4 21/32 118	5 19/32 142	13/64 5	3 17/64 83	1 7/8 48	13/16 21	G1	2.0315 51.6	0.7480 19.0	UC 210-30 210-31 210 210-32	HA 210	2.1
UCHA 211-32 211-34 211 211-35	2 2 1/8 2 3/16	55	4 31/32 126	5 29/32 150	9/32 7	3 27/64 87	2 3/8 60	1 25	G1 1/4	2.1890 55.6	0.8740 22.2	UC 211-32 211-34 211 211-35	HA 211	2.8
UCHA 212-36 212 212-38 212-39	2 1/4 2 3/8 2 1/16	60	5 19/32 142	6 13/16 173	23/64 9	4 1/64 102	2 3/8 60	1 3/32 28	G1 1/4	2.5630 65.1	1.0000 25.4	UC 212-36 212 212-38 212-39	HA 212	3.9
UCHA 213-40 213	2 1/2	65	6 17/32 166	7 7/8 200	3/8 9.5	4 39/64 117	2 3/4 70	1 1/4 32	G1 1/2	2.5630 65.1	1.0000 25.4	UC 213-40 213	HA 213	5.8
UCHA 214-44 214	2 3/4	70	6 17/32 166	7 7/8 200	3/8 9.5	4 39/64 117	2 3/4 70	1 1/4 32	G1 1/2	2.9370 74.6	1.1890 30.2	UC 214-44 214	HA 214	5.9
UCHA 215 215-47 215-48	2 15/16 3	75	6 17/32 166	7 7/8 200	3/8 9.5	4 39/64 117	2 3/4 70	1 1/4 32	G1 1/2	3.0630 77.8	1.3110 33.3	UC 215 215-47 215-48	HA 215	6.0

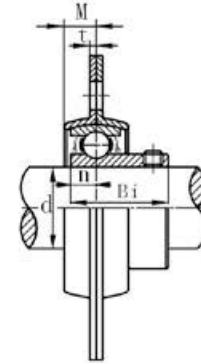
ΡΟΥΛΕΜΑΝ ΤΡΙΠΛΗΣ ΤΣΙΜΟΥΧΑΣ (R3) TYPE

Pressed Housing Flange Units (light-duty)

SAPF 200
(SA2-fitted)

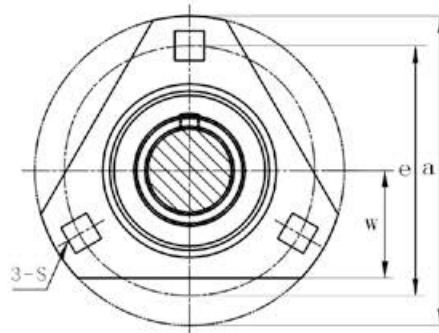
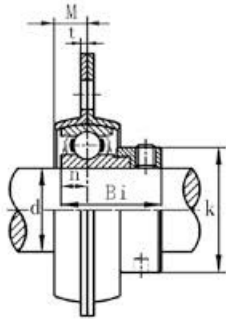
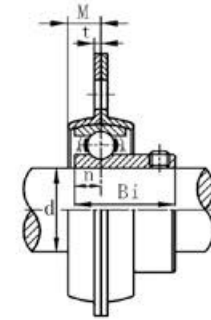


SBPF 200
(SB2-fitted)



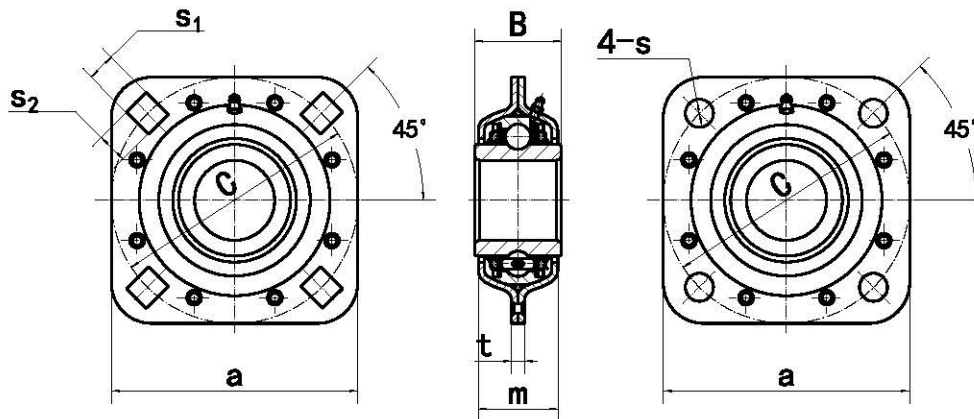
Bearing unit No.	Shaft Dia.		Dimensions (in.) or (mm)					Belt Size (in.) or (mm)	SAPF					SBPF				Housing No.
	d (in.)	d (mm)	a	e	M	t (mm)	S		Bi	n	k	Bearing No.	Weight (kg)	Bi	n	Bearing No.	Weight (kg)	
SAPF 201 SBPF 201-8	1/2	12	3 3/16	2 1/2	5/32	2	7/32	3/4	1.1260	0.2362	1.1260	SA 201	0.30	0.8661	0.2362	SB 201	0.27	PF 201
			81	63.5	7.0		7.1	M6	28.6	6.0	28.6	201-8		22.0	6.0	201-8		
SAPF 202 SBPF 202-10	5/8	15	3 3/16	2 1/2	5/32	2	7/32	3/4	1.1260	0.2362	1.1260	SA 202	0.30	0.8661	0.2362	SB 202	0.27	PF 202
			81	63.5	7.0		7.1	M6	28.6	6.0	28.6	202-10		22.0	6.0	202-10		
SAPF 203 SBPF 203-11	1 1/16	17	3 3/16	2 1/2	5/32	2	7/32	3/4	1.1260	0.2362	1.1260	SA 203	0.30	0.8661	0.2362	SB 203	0.27	PF 203
			81	63.5	7.0		7.1	M6	28.6	6.0	28.6	203-11		22.0	6.0	203-11		
SAPF 204-12 SBPF 204	3/4	20	3 17/32	2 13/16	5/16	2	9/16	7/10	1.2205	0.2756	1.3110	SA 204-12	0.33	0.9813	0.2953	SB 204-12	0.33	PF 204
			90	71.5	8		9.0	M8	31	7.0	33.3	204		25.0	7.5	204		
SAPF 205-14 SBPF 205	7/8	25	3 3/4	2 5/8	3/8	2	9/8	7/10	1.2205	0.2953	1.5000	SA 205-14	0.42	1.0630	0.2953	SB 205-14	0.38	PF 205
			95	76	9		9.0	M8	31	7.5	38.1	205		27.0	7.5	205		
	1											205-16				205-16		
SAPF 206-18 SBPF 206	1 1/8	30	4 7/16	3 3/16	3/8	2.6	11	7/8	1.4055	0.3150	1.7520	SA 206-18	0.65	1.1811	0.3513	SB 206-18	0.62	PF 206
												206				206		
	1 3/16		113	90.5	9.5		11	M10	35.7	8.0	44.5	206-19		30.0	9.0	206-19		
	1 3/4											206-20				206-20		
SAPF 207-20 SBPF 207	1 1/4	35	4 13/16	3 15/16	7/16	2.6	11	7/8	1.4370	0.3316	2.1890	SA 207-20	0.90	1.2598	0.3740	SB 207-20	0.82	PF 207
												207-22				207-22		
	1 3/8		122	100	11		11	M10	38.9	8.5	55.6	207		32.0	9.5	207		
	1 7/8											207-23				207-23		

Pressed Housing Flange Units (light-duty)

SAPFT 200
(SA2-fitted)

SBPFT 200
(SB2-fitted)


Bearing unit No.	Shaft Dia.		Dimensions (in.) or (mm)						Bolt Size (in.) (mm)	SAPFT				SBPFT				Housing No.	
	d		a	e	M	t	w	s		Bi	n	K	Bearing No.	Weight (kg)	Bi	n	Bearing No.		Weight (kg)
	(in.)	(mm)																	
SAPFT 201 SBPFT 201-8	1/2	12	3 3/16	2 1/2	5/32	2	1 3/4	5/32	1/4	1.1260	0.2362	1.1260	SA 201 201-8	0.22	0.8661	0.2362	SB 201 201-8	0.19	PFT201
SAPFT 202 SBPFT 202-10	3/8	15	3 3/16	2 1/2	5/32	2	1 3/4	5/32	1/4	1.1260	0.2362	1.1260	SA 202 202-10	0.21	0.8661	0.2362	SB 202 202-10	0.18	PFT202
SAPFT 203 SBPFT 203-11	1/2	17	3 3/16	2 1/2	5/32	2	1 3/4	5/32	1/4	1.1260	0.2362	1.1260	SA 203 203-11	0.20	0.8661	0.2362	SB 203 203-11	0.17	PFT203
SAPFT 204-12 SBPFT 204	3/4	20	3 1/2	2 1/4	3/8	2	1 1/2	3/8	5/16	1.2205	0.2953	1.3110	SA 204-12 204	0.28	0.9843	0.2756	SB 204-12 204	0.24	PFT204
SAPFT 205-14 SBPFT 205-16	1	25	3 3/4	2 5/8	3/8	2	1 3/4	3/8	5/16	1.2205	0.2953	1.5000	SA 205-14 205 205-16	0.33	1.0630	0.2953	SB 205-14 205 205-16	0.29	PFT205
SAPFT 206-18 SBPFT 206-19 206-20	1 1/8	30	4 1/8	3 3/8	3/8	2.6	1 3/4	3/8	3/8	1.4055	0.3543	1.7520	SA 206-18 206 206-19 206-20	0.50	1.1811	0.3150	SB 206-18 206 206-19 206-20	0.45	PFT206
SAPFT 207-20 SBPFT 207-22 207-23	1 1/4	35	4 1/2	3 1/2	3/8	2.6	1 3/4	3/8	3/8	1.5315	0.3740	2.1890	SA 207-20 207-22 207-23	0.78	1.2598	0.3346	SB 207-20 207-22 207-23	0.61	PFT207

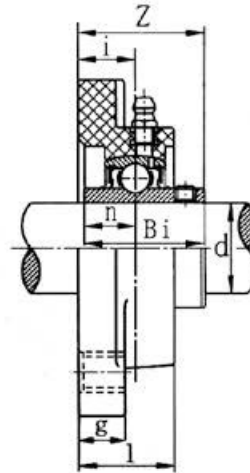
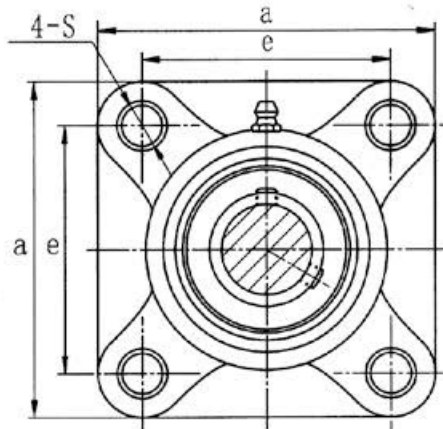
Disc harrow assembly



Bearing Unit No.	Dimensions (mm / in.)											Dynamic load ratings (N)	Static load ratings (N)
	d	d ₁	H	a	B	m	t	C	s	S ₁	S ₂		
ST209-1-1/8	...	32.0	29.972	127.0	42.8	42	6	127.0	13.5	13.5	17.45	32700	20900
ST209-30S	...	34.5	31.353	127.0	42.8	42	6	127.0	13.5	13.5	17.45	32700	20900
ST209-1-1/4	...	34.5	32.766	127.0	42.8	42	6	127.0	13.5	13.5	17.45	32700	20900
ST491B	38.860	127.0	42.8	42	6	127.0	13.5	13.5	17.45	32700	20900
ST209-40R	40.878	127.0	42.8	42	6	127.0	13.5	13.5	17.45	32700	20900
ST491A	45.000	127.0	42.8	42	6	127.0	13.5	13.5	17.45	32700	20900
ST209-45R	45.340	127.0	42.8	42	6	127.0	13.5	13.5	17.45	32700	20900
ST491AD	45.000	121.0	46.0	42	6	121.0	13.5	32700	20900
ST211-1-1/2	...	42.0	38.890	139.7	50.8	46	8	139.7	13.5	13.5	17.45	43300	29200
ST211-40S	...	43.1	40.878	139.7	50.8	46	8	139.7	13.5	13.5	17.45	43300	29200
ST211-50R	50.400	139.7	50.8	46	8	139.7	13.5	13.5	17.45	43300	29200
ST211-55R	55.575	139.7	50.8	46	8	139.7	13.5	13.5	17.45	43300	29200
ST211-1-3/4	45.212	139.7	55.6	46	8	139.7	13.5	13.5	17.45	43300	29200
ST211-2-3/16	55.575	139.7	55.6	46	8	139.7	13.5	13.5	17.45	43300	29200
ST211-1-15/16	49.238	139.7	69.9	46	8	139.7	13.5	13.5	17.45	43300	29200
ST211	55.000	139.7	55.6	46	8	139.7	13.5	13.5	17.45	43300	29200
ST740	55.562	139.7	55.6	45	7	139.7	13.5	13.5	17.45	43300	29200

ΡΟΥΛΕΜΑΝ ΤΡΙΠΛΗΣ ΤΣΙΜΟΥΧΑΣ (R3) TYPE

Thermoplastic Bearing Housing UCFPL 200

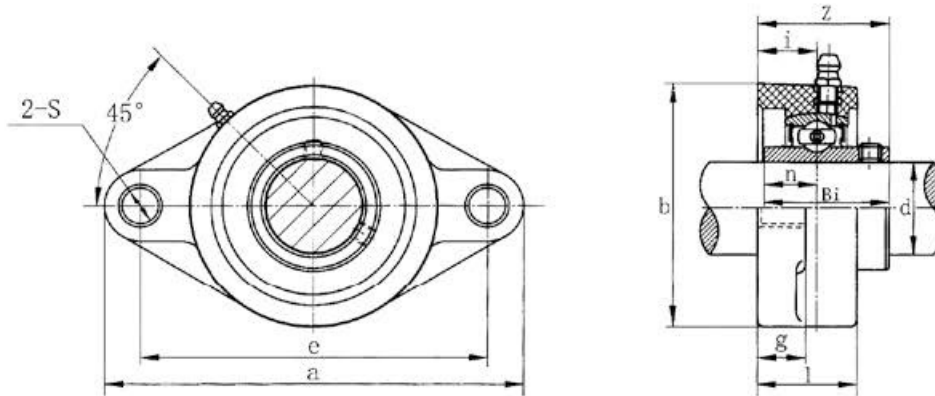


Bearing unit No.	Shaft Dia.		Dimensions (in.) or (mm)								Bolt Size		Torque (N. m)	Bearing No.	Housing No.	Housing Weight (kg)	
	d (in.)	d (mm)	a	e	g	l	S	Z	i	B _i	n	(mm)					(in.)
UCFPL 201 201-8	$\frac{1}{2}$	12															
UCFPL 202-9 202	$\frac{3}{8}$	16	$3\frac{3}{4}$	$2\frac{1}{4}$	$\frac{3}{16}$	$1\frac{1}{8}$	$\frac{7}{16}$	$1\frac{3}{4}$	$\frac{5}{16}$	1.2205	0.5000	M10	$\frac{3}{4}$	18	UC 201-8 UC 202-9 202	FPL 203	0.12
UCFPL 203 202-10	$\frac{1}{2}$	17	86	63.6	13.4	27.8	11	36.3	18	31.0	12.7				UC 202-10 UC 203		
UCFPL 203-11	$\frac{11}{16}$														UC 203-11		
UCFPL 204-12 204	$\frac{1}{2}$	20	$3\frac{3}{4}$	$2\frac{1}{4}$	$\frac{3}{16}$	$1\frac{1}{8}$	$\frac{7}{16}$	$1\frac{3}{4}$	$\frac{5}{16}$	1.2205	0.5000	M10	$\frac{3}{4}$	18	UC 204-12 204	FPL 204	0.12
UCFPL 205-14 205-15 205	$\frac{3}{8}$	25	$3\frac{3}{4}$	$2\frac{1}{4}$	$\frac{3}{16}$	$1\frac{1}{8}$	$\frac{7}{16}$	$1\frac{3}{4}$	$\frac{5}{16}$	1.9425	0.5630	M10	$\frac{3}{4}$	25	UC 205-14 205-15 205	FPL 206	0.15
UCFPL 205-16	1		95	70	14	28	11	36.7	17	34.1	14.3				205-16		
UCFPL 206-17 206-18 206	$1\frac{1}{8}$ $1\frac{1}{4}$	30	$4\frac{7}{8}$	$3\frac{3}{4}$	$\frac{3}{16}$	$1\frac{3}{8}$	$\frac{7}{16}$	1	$\frac{3}{4}$	1.5000	0.6280	M10	$\frac{3}{4}$	30	UC 206-17 206-18 206	FPL 208	0.18
UCFPL 206-19 206-20	$1\frac{1}{8}$ $1\frac{1}{4}$		107	83	14.3	31.5	11	41.4	19.2	38.1	15.9				UC 206-19 206-20		
UCFPL 207-20 207-21 207-22 207	$1\frac{1}{4}$ $1\frac{1}{2}$ $1\frac{1}{2}$ $1\frac{1}{2}$	36	$4\frac{3}{4}$	$3\frac{1}{2}$	$\frac{3}{16}$	$1\frac{1}{4}$	$\frac{7}{16}$	$1\frac{3}{4}$	$\frac{3}{4}$	1.6890	0.6690	M12	$\frac{3}{4}$	35	UC 207-20 207-21 207-22 207	FPL 207	0.26
UCFPL 207-23	$1\frac{3}{8}$		118	93	16.5	34.8	13	46.9	21.5	42.9	17.5				207-23		
UCFPL 208-24 208-25 208	$1\frac{1}{4}$ $1\frac{3}{8}$	40	$5\frac{1}{4}$	$4\frac{1}{4}$	$\frac{3}{16}$	$1\frac{3}{8}$	$\frac{7}{16}$	$2\frac{1}{4}$	$\frac{3}{4}$	1.9370	0.7480	M12	$\frac{3}{4}$	40	UC 208-24 208-25 208	FPL 208	0.33
UCFPL 208-26 208-27 208-28 208	$1\frac{1}{4}$ $1\frac{3}{8}$ $1\frac{1}{4}$	45	$5\frac{3}{4}$	$4\frac{3}{4}$	$\frac{3}{16}$	$1\frac{3}{8}$	$\frac{7}{16}$	$2\frac{1}{4}$	$\frac{3}{4}$	1.9370	0.7480	M16	$\frac{3}{4}$	45	UC 208-26 208-27 208-28 208	FPL 209	0.42
UCFPL 209-26 209-27 209-28 209	$1\frac{1}{4}$ $1\frac{3}{8}$ $1\frac{1}{4}$		187	106	18	41	17	54.2	24	49.2	19.0				UC 209-26 209-27 209-28 209		
UCFPL 210-30 210-31 210	$1\frac{1}{2}$ $1\frac{3}{8}$	50	$5\frac{1}{4}$	$4\frac{1}{4}$	$\frac{3}{16}$	$1\frac{3}{8}$	$\frac{7}{16}$	$2\frac{1}{4}$	$\frac{3}{4}$	2.0815	0.7480	M16	$\frac{3}{4}$	50	UC 210-30 210-31 210	FPL 210	0.51

PBT/Material:PBT
/Solid base

Thermoplastic Bearing Housing UCFLPL 200

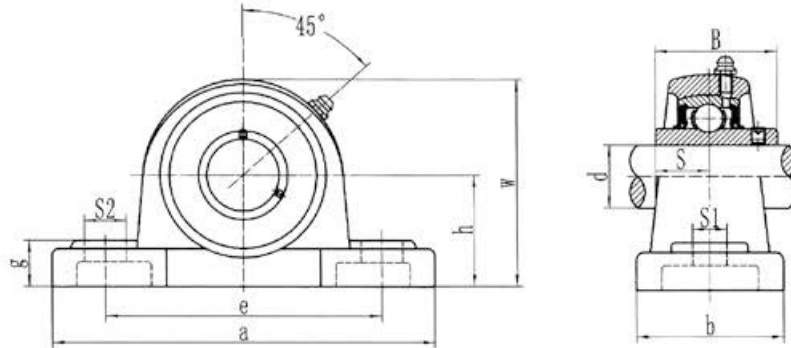
Stainless steel grease nipples as standard (suffix N)



Bearing unit No.	Shaft Dia.		Dimensions (in.) or (mm)										Bolt Size		Torque (N.m)	Bearing No.	Housing No.	Housing Weight (kg)	
	d (in.)	d (mm)	a	a	b	g	l	S	Z	i	Bi	n	(mm)	(in.)					
UCFLPL 201 201-8	1/2	12															UC 201 201-8	FLPL 203	0.08
UCFLPL 202-9 202	3/8	15	4 3/16	3 3/16	2 3/8	3/8	1 1/4	3/8	1 1/4	3/8	1.2205	0.5000	M10	3/8	18	UC 202-9 202			
UCFLPL 203 203-10	1/2	17	113	90	85	11.4	28.5	11	33.7	15.4	31.0	12.7				UC 203 203-10			
UCFLPL 203-11	1/2	17														UC 203 203-11			
UCFLPL 204-12 204	3/4	20	4 3/16	3 3/16	2 3/8	3/8	1 1/4	3/8	1 1/4	3/8	1.2205	0.5000	M10	3/8	18	UC 204-12 204	FLPL 204		
UCFLPL 205-14 205-15 205	7/8	26	5 3/16	4 3/16	3 1/2	1 1/2	1 1/4	3/8	1 3/4	1 1/2	1.3425	0.5630	M10	3/8	25	UC 205-14 205-15 205	FLPL 205	0.10	
UCFLPL 206-17 206-18 206	1 1/8	30	5 7/16	4 3/16	3 3/8	1 1/2	1 1/4	3/8	1 1/2	1 1/4	1.5000	0.6250	M10	3/8	30	UC 206-17 206-18 206	FLPL 206	0.13	
UCFLPL 206-19 206-20	1 1/8	30	148	117	80	13.3	30.5	11	41.2	19	38.1	15.9				UC 206-19 206-20			
UCFLPL 207-20 207-21 207-22 207	1 1/4	35	6 3/16	5 1/8	3 3/4	1 3/4	1 3/4	3/4	1 3/4	1 3/4	1.8890	0.6890	M12	3/4	35	UC 207-20 207-21 207-22 207	FLPL 207	0.16	
UCFLPL 207-23	1 1/4	35	164	130	90	18.1	32.8	13	43.4	18	42.9	17.5				UC 207-23			
UCFLPL 208-24 208-25 208	1 1/2	40	6 3/16	5 3/8	3 3/4	1 3/4	1 3/4	3/4	2 1/4	1 3/4	1.9370	0.7480	M12	3/4	40	UC 208-24 208-25 208	FLPL 208	0.24	
UCFLPL 209-26 209-27 209-28 209	1 3/4	46	7 1/2	6 3/8	4 1/4	1 3/4	1 3/4	3/4	2 3/4	1 3/4	1.9370	0.7480	M16	3/4	45	UC 209-26 209-27 209-28 209	FLPL 209	0.32	
UCFLPL 210-30 210-31 210	1 3/4	50	7 3/4	6 3/4	4 3/8	1 3/4	1 3/4	3/4	2 3/4	1 3/4	2.0315	0.7480	M16	3/4	50	UC 210-30 210-31 210	FLPL 210	0.42	



Stainless Steel Pillow Block Series



Bearing Unit No.	Bore Dia		Dimensions (mm)										Bearing No.	Housing No.	Weight (kg)
	d		h	a	e	b	S ₁	S ₂	g	W	S	B			
	in	mm													
SUCP201 SUCP201-8 SUCP202 SUCP202-10 SUCP203 SUCP203-11	1/2 5/8 11/16	12 15 17	33.3	127	96	36	13	19	13	60	12.7	31	SUC201 SUC201-8 SUC202 SUC202-10 SUC203 SUC203-11	SP203	0.75
SUCP204 SUCP204-12	3/4	20	33.3	126	95	37	13	19	14	64	12.7	31	SUC204 SUC204-12	SP204	0.73
SUCP205 SUCP205-14 SUCP205-15 SUCP205-16	7/8 15/16 1	25	36.5	139	105	38	13	19	15	69	14.3	34.1	SUC205 SUC205-14 SUC205-15 SUC205-16	SP205	0.91
SUCP206 SUCP206-17 SUCP206-18 SUCP206-19 SUCP206-20	1-1/16 1-1/8 1-3/16 1-1/4	30	42.9	163	121	48	17	20	17	81	15.9	38.1	SUC206 SUC206-17 SUC206-18 SUC206-19 SUC206-20	SP206	1.32
SUCP207 SUCP207-20 SUCP207-21 SUCP207-22 SUCP207-23	1-1/4 1-5/16 1-3/8 1-7/16	35	47.6	167	127	48	17	22	18	91	17.5	42.9	SUC207 SUC207-20 SUC207-21 SUC207-22 SUC207-23	SP207	1.72
SUCP208 SUCP208-24 SUCP208-25	1-1/2 1-9/16	40	49.2	181	137	51	17	22	18	97	19.0	49.2	SUC208 SUC208-24 SUC208-25	SP208	2.14
SUCP209 SUCP209-26 SUCP209-27 SUCP209-28	1-5/8 1-11/16 1-3/4	45	54.0	185	146	51	17	22	20	104	19.0	49.2	SUC209 SUC209-26 SUC209-27 SUC209-28	SP209	2.45
SUCP210 SUCP210-29 SUCP210-30 SUCP210-31 SUCP210-32	1-13/16 1-7/8 1-15/16 2	50	57.2	201	159	58	20	24	22	111	19.0	51.6	SUC210 SUC210-29 SUC210-30 SUC210-31 SUC210-32	SP210	3.10
SUCP211 SUCP211-32 SUCP211-33 SUCP211-34 SUCP211-35	2 2-1/16 2-1/8 2-3/16	55	63.5	219	171	60	20	25	23	126	22.2	55.6	SUC211 SUC211-32 SUC211-33 SUC211-34 SUC211-35	SP211	3.85
SUCP212 SUCP212-36 SUCP212-37 SUCP212-38 SUCP212-39	2-1/4 2-5/16 2-3/8 2-7/16	60	69.8	241	184	70	20	25	25	137	25.4	65.1	SUC212 SUC212-36 SUC212-37 SUC212-38 SUC212-39	SP212	5.10
SUCP213 SUCP213-40 SUCP213-41	2-1/2 2-9/16	65	76.2	265	203	70	25	30	27	150	25.4	65.1	SUC213 SUC213-40 SUC213-41	SP213	6.26
SUCP214 SUCP214-42 SUCP214-43 SUCP214-44	2-5/8 2-11/16 2-3/4	70	79.4	265	210	72	25	30	27	155	30.2	74.6	SUC214 SUC214-42 SUC214-43 SUC214-44	SP214	6.90
SUCP215 SUCP215-45 SUCP215-46 SUCP215-47 SUCP215-48	2-13/16 2-7/8 2-15/16 3	75	82.6	274	217	74	25	31	28	162	33.3	77.8	SUC215 SUC215-45 SUC215-46 SUC215-47 SUC215-48	SP215	7.62
SUCP216 SUCP216-50	3-1/8	80	88.9	292	232	78	25	31	30	172	33.3	82.6	SUC216 SUC216-50	SP216	9.03
SUCP217 SUCP217-52	3-1/4	85	95.2	309	247	83	25	31	32	186	34.1	85.7	SUC217 SUC217-52	SP217	11.28
SUCP218 SUCP218-56	3-1/2	90	101.6	326	262	88	27	36	33	198	39.7	96	SUC218 SUC218-56	SP218	13.45

Note: the bolt size is the same as UCP200 series.