

Edition / Izdanje  
2019

# FKLO®

MADE IN SERBIA

## Factory of Rolling Bearings and Cardan Shafts



Product catalogue / Katalog

### Customer Tailored Solutions in Agriculture

*Poljoprivredni program prema zahtevu kupca*



Your partner for

# Providing the Best Solutions



Copyright © 2019 FKL. All rights reserved.

These contents are the copyright of the publisher and may not be reproduced, in total or partially, without express consent of the publisher. Every precautions were taken to ensure the accuracy of the information in this publication but no liability can be accepted for any errors or omissions. Prepared in Factory of rolling bearings and cardan shafts Temerin, Serbia

Editor in Chief: Laslo Koman, *B. Sc. Mechanical Engineer*

Copy Editor: Zoran Jandrić, *B. Sc. Mechanical Engineer*; Biljana Obrenović, *Master in Mechanical Engineer*

Photos, Layout and Prepress: Jasenka Martinović and Monja Madić, *Master in Graphic Engineer and Design*



# FKL<sup>®</sup> O

CATALOGUE  
KATALOG

Edition 2019.  
*Izdanje 2019.*



# Customer Tailored Solutions in Agriculture

## Poljoprivredni program prema zahtevu kupca

### AGRO POINT HUB

*AGRO POINT ležaj*

Agro Point IL20	7
Agro Point IL30	8
Agro Point IL40	9
Agro Point IL40 M	10
Agro Point IL50	11
Agro Point IL50 without shaft	12
Agro Point IL50 M	13
Agro Point IL50S	14
Agro Point IL60	15

### Disc Harrow Solutions

*Ležajevi tanjirače*



PL-127	16
PL-140	17
PL-185-M30-R (L)	18
306230	19
3206 B.2RS1	20
3209 NPPB.AH02	21
3307 B.2RS1	22
357234A	23
BW1-357233	24
GWST 209PPB13	25
GWST 209PPB29	26
GWST 211PPB20	27
GWST 211PPBP40.X3	28
GW 211PP25	29
GW 211PP202	30
GWR 209PPB30	31
GWR 211PPB21	32
SBX 1227	33
GWHG 211PP25	34
GWHGR 211PP202	35

# Content/Sadržaj

## Seeding Machine Solutions

*Ležajevi sejačice*



VP-16/40/74,5	36
885152	37
885154B	38
3204 B.2RS1	39
3204 T	40
3205 B.2RS1	41
5206 KPP3	42
SL 3303 2S	43
SL 5203 2T	44
SL2 5203-2T	45
VP-M20x1.5/40/72-R (L)	46
06C04-2Z	47
Q 203PP.AH02	48
Q 203PP.AH05	49
SL 53-014-2T	50
SL 5316 2T	51
SLE 53-012-2T	52
SLU 53-012-2T	53
205KRP2	54
LY 312 2F	55
SLE 47-16S-2RS	56
203KRR.AH02/203KPP.AH02	57
203KRR.AH05/203KPP.AH05	58
204KRR2	59
204KRR	60
204KRRB2	61
203KRR	62
PL-7517/7520	63

# Customer Tailored Solutions in Agriculture

## Poljoprivredni program prema zahtevu kupca

### Packer Roller Solutions

*Ležajevi valjka*



LSFR 308 TBT.H.T.Zn/LSFR 308 2TB.H.T.Zn	64
LSGR 205 FS	65
LSGR 207 TBS	66
LSNN 208 TDT.H.T*K	67
LSNR 205 2T	68
LSNR 207 TBS	69
LSQFG 210 2PB.H	70
LEFN 212 M 2TB/LEFN 212 M 2TB.H	71

### Packer Baller Solutions

*Ležajevi balirke*



LR-35/72	72
SL 15/40/14.4 2RS	73



# Content/Sadržaj

## Combine Solutions

*Ležajevi kombajna*



SL 40/90/36.5	74
209 KRR K/50.135	75
207KRRB9	76
G207 KPP3 AH16	77
LY 208-108 2F.SH	78
W 208PPB16	79
W 208PP16	80

## Universal Solutions

*Univerzalna rešenja*



LEFG 210 TDT - Bearing unit ARMOR	81
LEFN 210 2PC	82

FKL Distributors/ <i>FKL Distributeri</i>	84
---	----

# Customer Tailored Solutions in Agriculture

*Poljoprivredni program prema zahtevu kupca*





# AGRO POINT HUB

## AGRO POINT ležaj



### AGRO POINT IL20

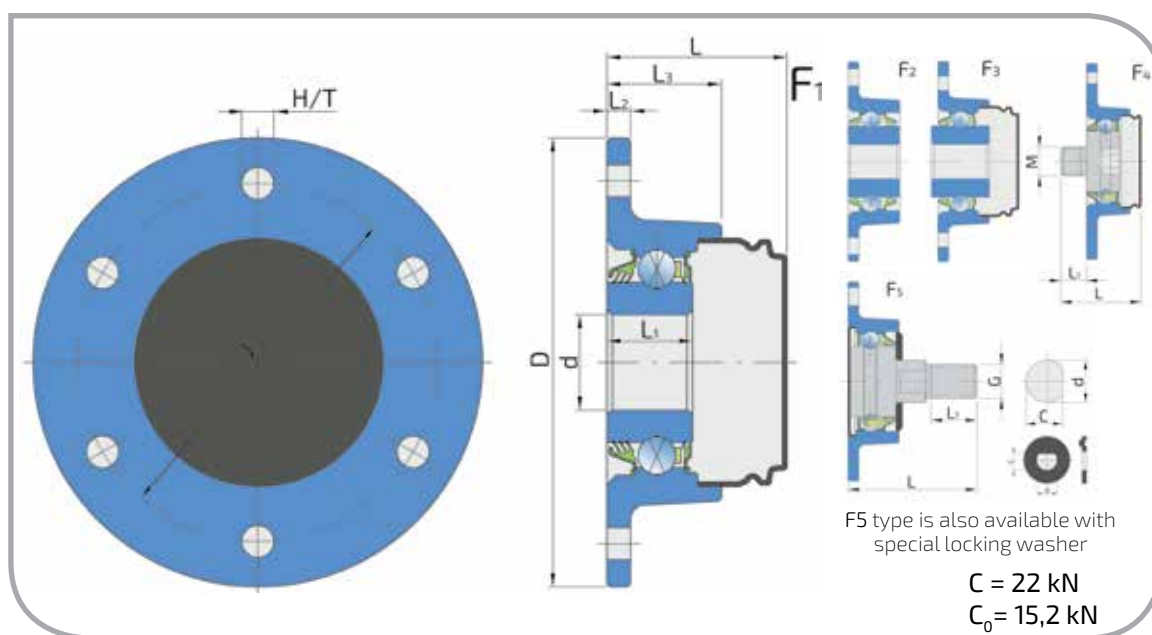


#### COMPARATIVE DESIGNATION

#### UPOREDNE OZNAKE

FKL	Comparative	
IL20-73/6H-B16	HORSCH	24156400
IL20-75/6H-B17+GK	GASPARDO	15223651
IL20-80/5H-M16	PEER	HUB-20MM-X

AGRO POINT HUB  
AGRO POINT ležaj



#### Dimensions/Osnovne mere (mm)

Designation/Oznaka	J	D	H/T	d	G	C	L	L <sub>1</sub>	L <sub>2</sub>	L <sub>3</sub>	kg	Figure
IL20-73/6H-B16	73.5	94	6x6,5	16	-	-	37,7	27	5	24	0,6	3
IL20-75/5H-M16-R	75	94	5x6,5	-	M16	-	44	14	5	24	0,53	4
IL20-75/5H-M16-L	75	94	5x6,5	-	M16-Left	-	44	14	5	24	0,53	4
IL20-75/6H-B16	75	94	6x6,5	16	-	-	37,7	18	5	24	0,5	1
IL20-75/6H-B17	75	94	6x6,5	17	-	-	37,7	18	5	24	0,5	1
IL20-75/6H-B17+GK	75	94	6x6,5	17	-	-	37,7	18	5	24	0,75	1
IL20-75/6H-B20	75	94	6x6,5	20	-	-	37,7	18	5	24	0,5	1
IL20-79/6H-B16	79.4	94	6x8,1	16	-	-	24	24	5	24	0,5	2
IL20-80/5H-M16	80	94	5x8,5	20	M16	18,5	60,5	21,5	5	24	0,59	5
IL20-82/5T-B16	82	108	5xM8	16,2	-	-	24	24	6	24	0,64	2
IL20-92/5H-M16-R	92	108	5x6,5	-	M16	-	44	14	6	24	0,67	4
IL20-92/5H-M16-L	92	108	5x6,5	-	M16-Left	-	44	14	6	24	0,67	4

Seeding Machines  
Sejačice

Note/Napomena

The cover is set by the user/Zaštitnu kapu postavlja korisnik

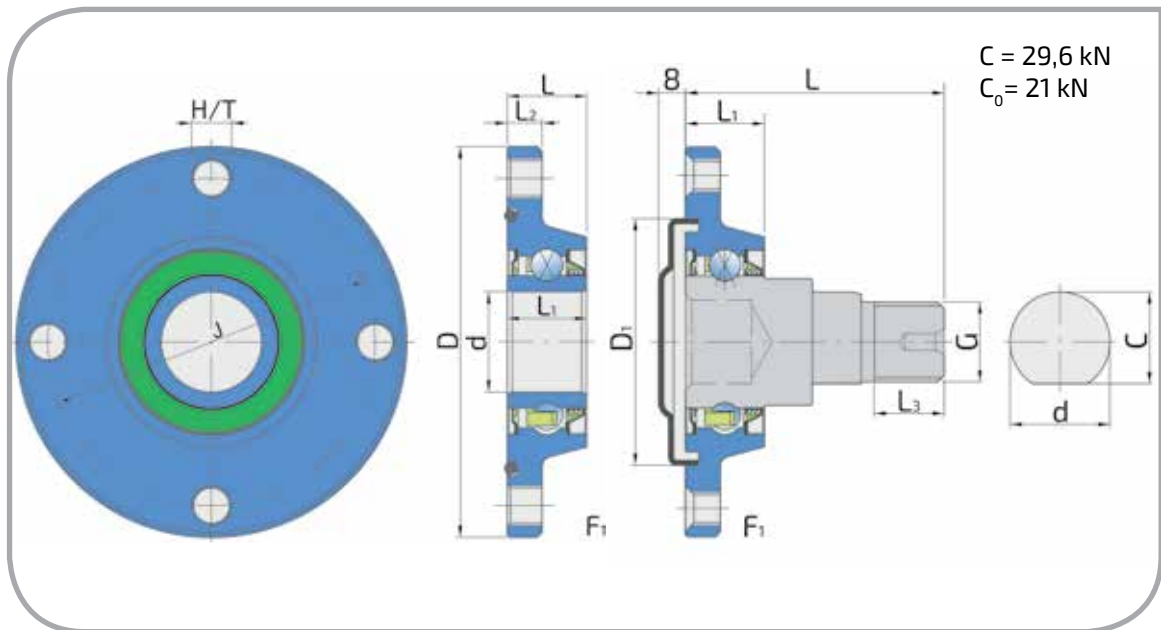
Typical Applications:  
Potencijalno mesto ugradnje i primena:



# AGRO POINT HUB

## AGRO POINT ležaj

### AGRO POINT IL30



Dimensions/Osnovne mere (mm)

Designation/Oznaka	J	D	D <sub>1</sub>	H/T	d	G	C	L	L <sub>1</sub>	L <sub>2</sub>	L <sub>3</sub>	kg	Figure
IL30-98/4T-B30	98	117	-	4xM12x1,25	30	-	-	23,8	23,8	10,5	-	0,905	1
IL30-98/5T-B30	98	117	-	5xM12x1,25	30	-	-	23,8	23,8	10,5	-	0,925	1
IL30-98/4H-B30	98	117	-	4xØ10	30	-	-	23,8	23,8	10,5	-	0,905	1
IL30-100/4T-M24x2	100	117	74	4xM10	30	M24x2	27,5	89	23,8	10,5	28	1,52	2

Typical Applications:  
 Potencijalno mesto ugradnje i primena:

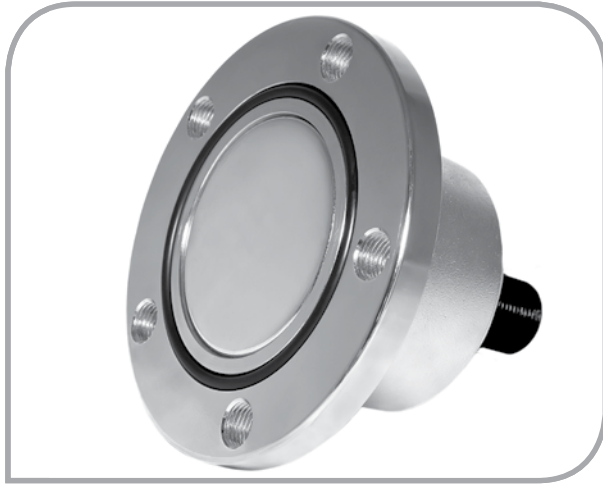
Seeding Machines/Sejačice  
 Ploughs/Plugovi

# AGRO POINT HUB

## AGRO POINT ležaj



### AGRO POINT IL40

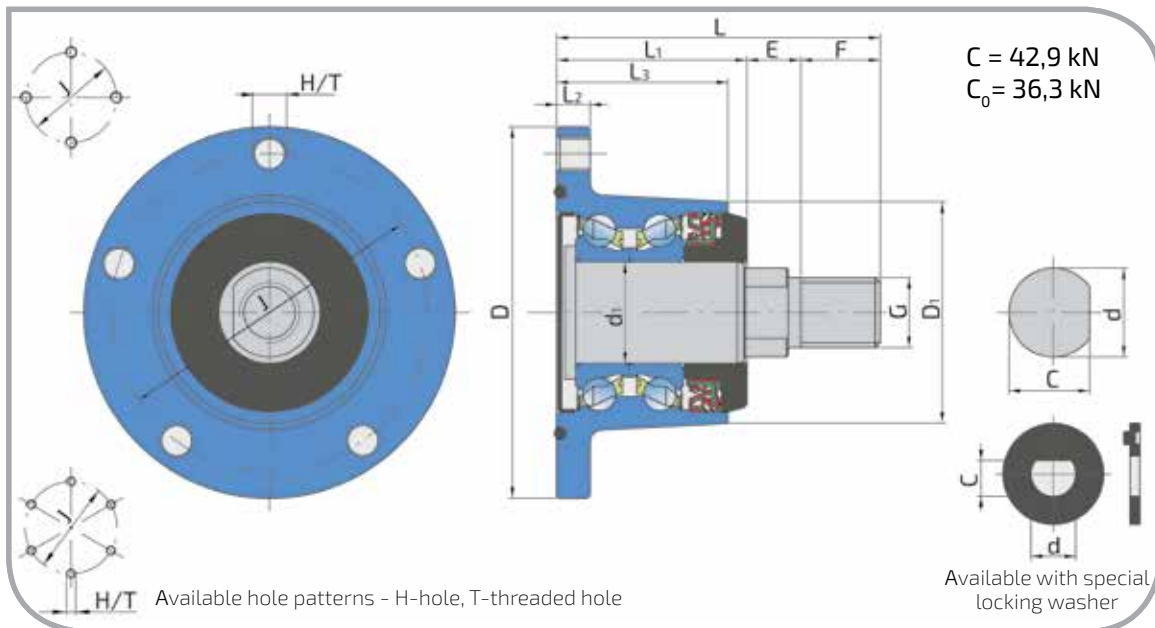


#### COMPARATIVE DESIGNATION

#### UPOREDNE OZNAKE

FKL	Comparative
IL40-98/4T-M22	SNR HUA11-4M12-S01
IL40-98/5T-M22	SNR HUA11-5M12-S01
IL40-98/6T-M22	SNR HUA11-6M12-S01

AGRO POINT HUB  
AGRO POINT ležaj



#### Dimensions/Osnovne mere (mm)

Designation/Oznaka	J	D	D <sub>1</sub>	H/T	d	d <sub>1</sub>	G	C	L	L <sub>1</sub>	L <sub>2</sub>	L <sub>3</sub>	E	F	kg
IL40-98/4T-M22	98	117	70	4xM12x1,25	27,95	32	M22x1,5	25,4	102	60	10,5	54	17	25	2
IL40-98/5T-M22	98	117	70	5xM12x1,25	27,95	32	M22x1,5	25,4	102	60	10,5	54	17	25	2
IL40-98/6T-M22	98	117	70	6xM12x1,25	27,95	32	M22x1,5	25,4	102	60	10,5	54	17	25	2
IL40-98/4T-M24	98	117	78,5	4xM12x1,25	30	32	M24x2	27,5	106	60	10,5	59	17	29	2,55
IL40-98/5T-M24	98	117	78,5	5xM12x1,25	30	32	M24x2	27,5	106	60	10,5	59	17	29	2,55
IL40-98/6T-M24	98	117	78,5	6xM12x1,25	30	32	M24x2	27,5	106	60	10,5	59	17	29	2,55

Typical Applications:  
Potencijalno mesto ugradnje i primena:

Disc Harrows  
Tanjirače



# AGRO POINT HUB

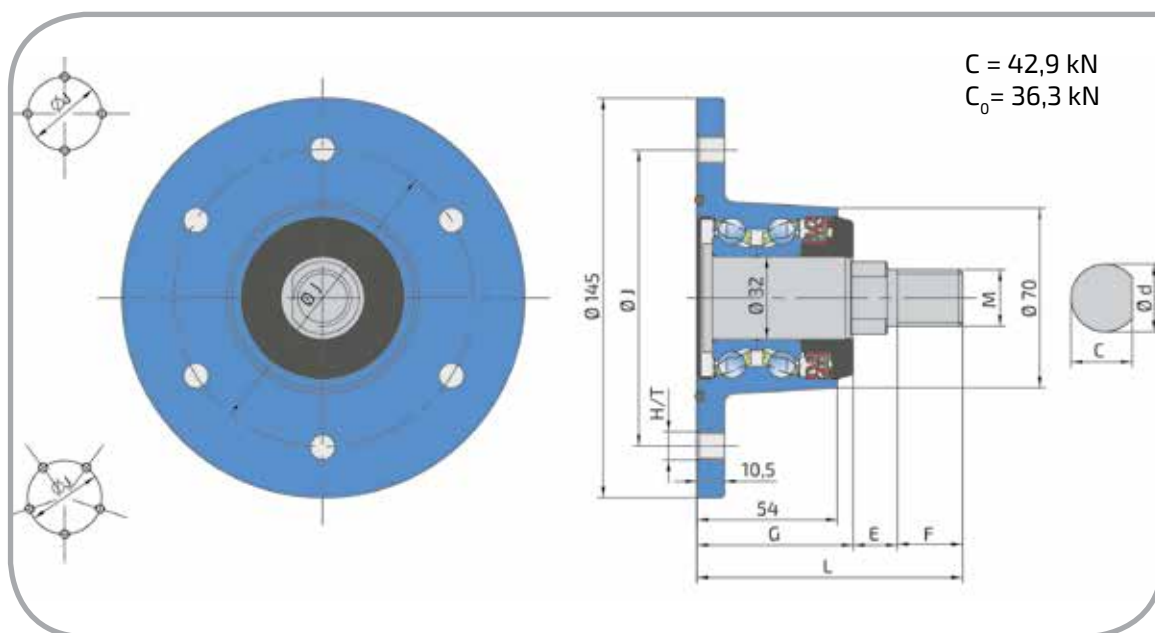
## AGRO POINT ležaj

### Agro Point IL40 M

#### COMPARATIVE DESIGNATION

UPOREDNE OZNAKE

FKL	Comparative
IL40-110/4H-M24x1.5	POTTINGER 9755.02.140.0
IL40-112/5T-M24x2	NWG AHU30140A-01
	PEER HUB-35MM



#### Dimensions/Osnovne mere (mm)

Designation/Oznaka	d	H/T	d	C	M	E	F	G	L	kg
IL40-104/5T-M22x1.5-01	104	5xM12x1,25	27,95	25,4	M22x1,5	21	25	55	101	2,5
IL40-110/4H-M24x1.5	110	4x13	24	22,5	M24x1,5	35	20	74	129	2,8
IL40-112/5T-M24x2	112	5xM12x1,5	30	28	M24x2	21	25	55	101	2,5
IL40-115/5H-M22x1.5	115	5x13	28	25,5	M22x1,5	28	18	55	101	2,5

Typical Applications:

Potencijalno mesto ugradnje i primena:

Disc Harrows  
Tanjirače

# AGRO POINT HUB

## AGRO POINT ležaj



### Agro Point IL50

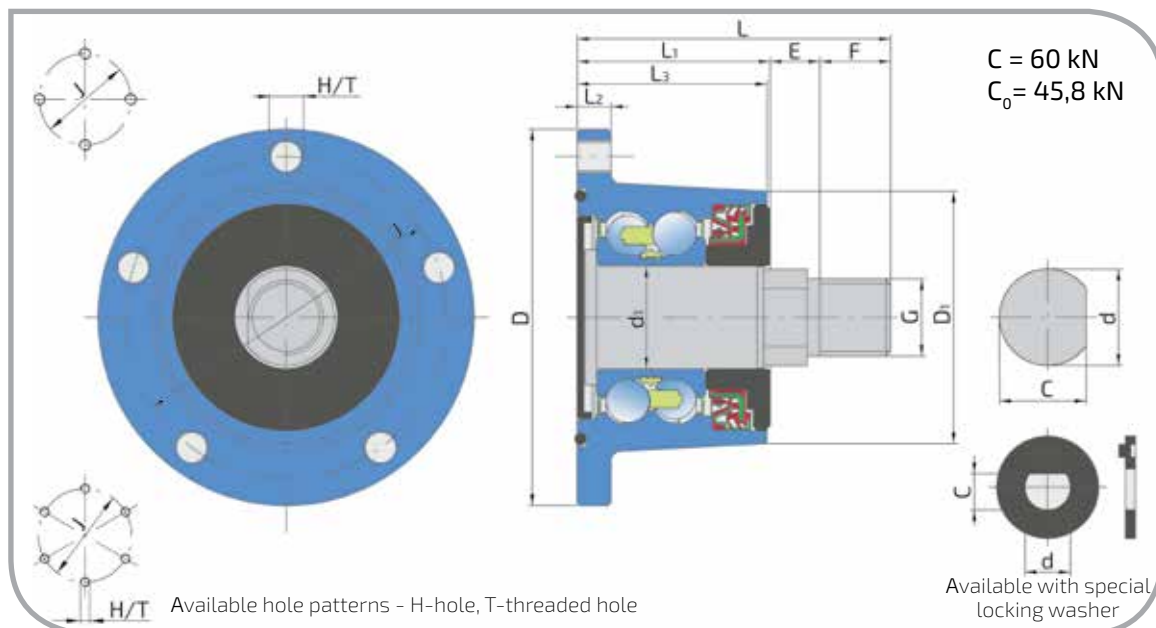


#### COMPARATIVE DESIGNATION

#### UPOREDNE OZNAKE

FKL	Comparative	
IL50-98/4T-M22	<b>GASPARDO</b>	F06160015
	<b>KOCKERLING</b>	910974
	<b>NSK</b>	AHU 28117A-01
	<b>SNR</b>	HUA11-4M12-S01
IL50-98/5T-M22	<b>NSK</b>	AHU 28117A-02
	<b>SNR</b>	HUA11-5M12-S01
IL50-98/6T-M22	<b>NSK</b>	AHU 28117A-03
IL50-100/4T-1"	<b>NWG</b>	AHU28117A-O4
IL50-100/6T-M24-R	<b>LEMKEN</b>	5554512; 55510012
IL50-100/6T-M24-L	<b>LEMKEN</b>	5554513; 55510013

AGRO POINT HUB  
AGRO POINT ležaj



#### Dimensions/Osnovne mere (mm)

Designation/Oznaka	J	D	D <sub>1</sub>	H/T	d	d <sub>1</sub>	G	C	L	L <sub>1</sub>	L <sub>2</sub>	L <sub>3</sub>	E	F	kg
IL50-98/4T-M22	98	117	78,5	4xM12x1,25	27,95	32	M22x1,5	25,4	102	60	10,5	59	17	25	2,5
IL50-98/5T-M22	98	117	78,5	5xM12x1,25	27,95	32	M22x1,5	25,4	102	60	10,5	59	17	25	2,5
IL50-98/6T-M22	98	117	78,5	6xM12x1,25	27,95	32	M22x1,5	25,4	102	60	10,5	59	17	25	2,5
IL50-98/6T-M22-113	98	117	78,5	6xM12x1,25	27,95	32	M22x1,5	25,4	113	60	10,5	59	28	25	2,54
IL50-98/4T-M24	98	117	78,5	4xM12x1,25	30	32	M24x2	27,5	106	60	10,5	59	17	29	2,55
IL50-98/5T-M24	98	117	78,5	5xM12x1,25	30	32	M24x2	27,5	106	60	10,5	59	17	29	2,55
IL50-98/6T-M24	98	117	78,5	6xM12x1,25	30	32	M24x2	27,5	106	60	10,5	59	17	29	2,55
IL50-100/4T-1"	100	117	78,5	4xM12x1,25	30	32	1" SAE14h	27,5	125	60	10,5	59	36	29	2,65
IL50-100/6T-M24-R	100	117	78,5	6xM10x1,25	30	32	M24x1,5	27	97,5	60	10,5	59	15,5	22	2,65
IL50-100/6T-M24-L	100	117	78,5	6xM10x1,25	30	32	M24x1,5-Left	27	97,5	60	10,5	59	15,5	22	2,65

Disc Harrows  
Tanjirače

Typical Applications:  
Potencijalno mesto ugradnje i primena:

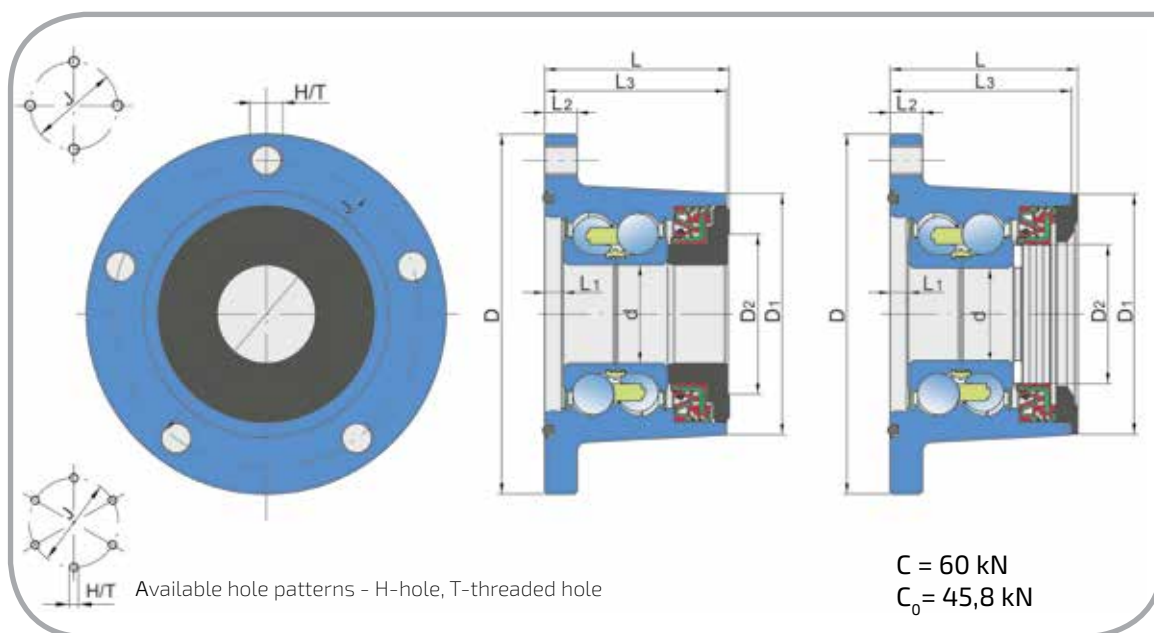
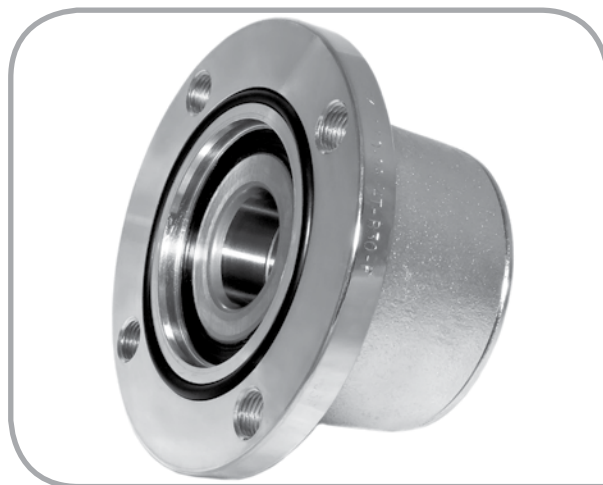




# AGRO POINT HUB

## AGRO POINT ležaj

### Agro Point IL50 without shaft



#### Dimensions/Osnovne mere (mm)

Designation/Oznaka	J	D	D <sub>1</sub>	D <sub>2</sub>	H/T	d	L	L <sub>1</sub>	L <sub>2</sub>	L <sub>3</sub>	kg
IL50-98/4T-B30-F	98	117	78,5	52	4xM12x1,25	30	60	6	10,5	59	1,75
IL50-98/4T-B30-J	98	117	78,5	45	4xM12x1,25	30	61	6	10,5	59	1,6

Typical Applications:  
 Potencijalno mesto ugradnje i primena:

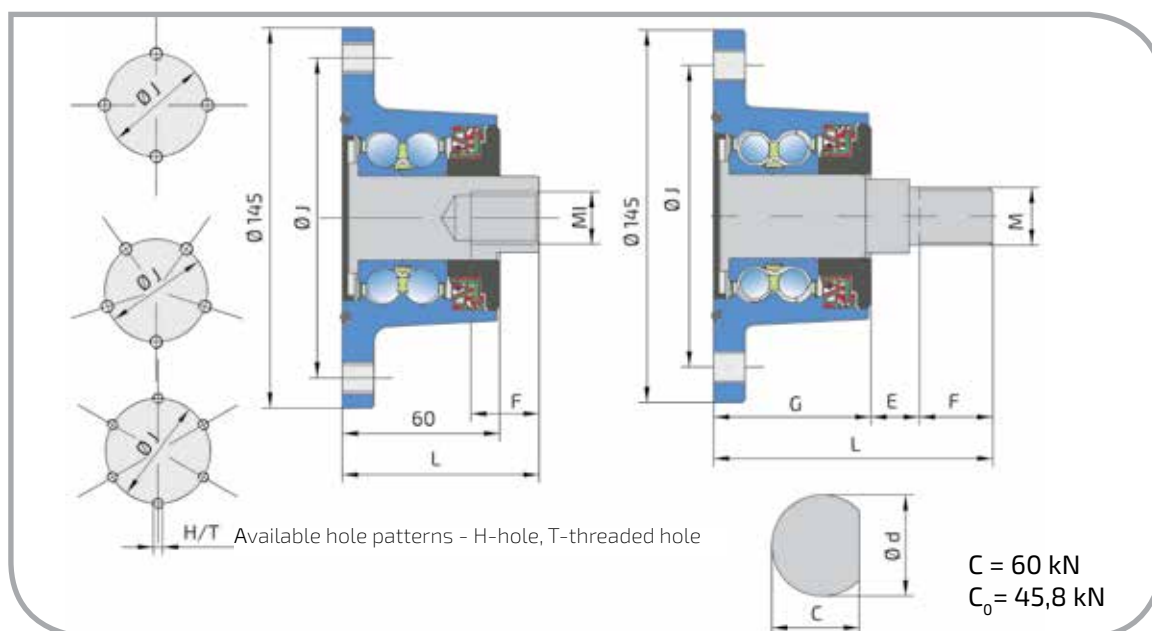
Disc Harrows  
 Tanjirače

# AGRO POINT HUB

## AGRO POINT ležaj



### Agro Point IL50 M



#### Dimensions/Osnovne mere (mm)

Designation/Oznaka	J	H/T	d	C	M	MI	E	F	G	L	kg
IL50-110/4H-M24x1,5	110	4x13	24	22,5	M24x1,5	-	35	20	74	129	3,4
IL50-112/5T-M24x2	112	5xM12x1,5	30	28	M24x2	-	21	25	60	106	3,2
IL50-115/5H-M22x1,5	115	5x13	28	25,5	M22x1,5	-	28	18	60	106	3,2
IL50-122/6T-M20x1,5	122	M12x1,25	31,3	29	-	M20x1,5	-	26	-	75	3

#### Typical Applications:

Potencijalno mesto ugradnje i primena:

Disc Harrows  
Tanjirače



# AGRO POINT HUB

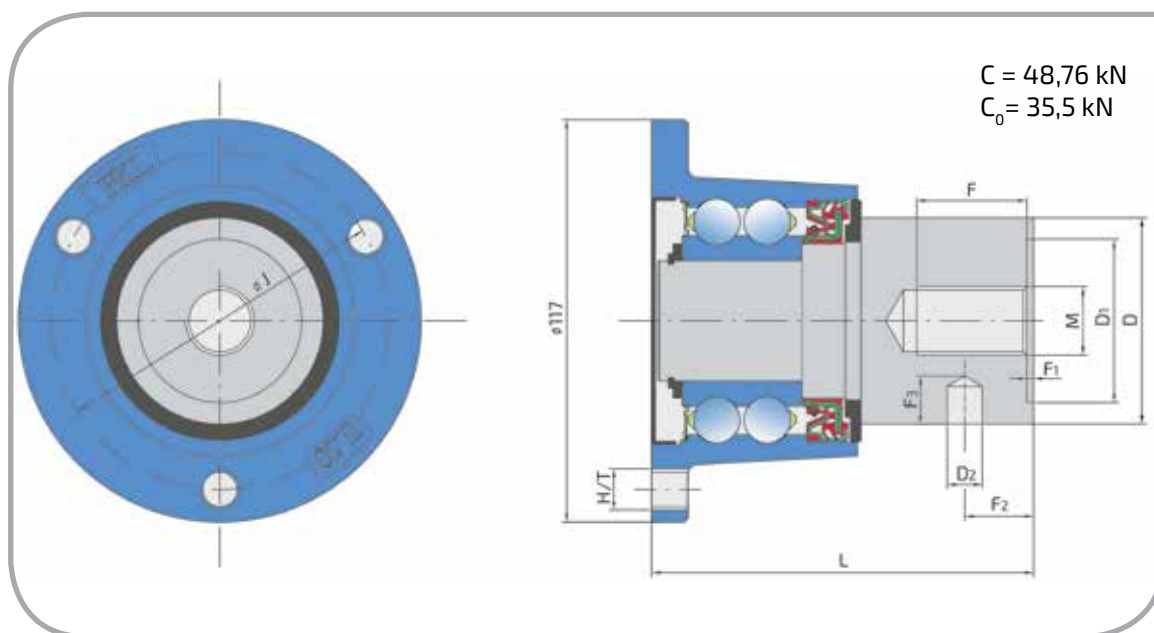
## AGRO POINT ležaj

### Agro Point IL50S

#### COMPARATIVE DESIGNATION

UPOREDNE OZNAKE

FKL	Comparative
IL50S-98/3T-M20	HORSCH 23246700



Dimensions/Osnovne mere (mm)

D	D <sub>1</sub>	D <sub>2</sub>	J	H/T	L	F	F <sub>1</sub>	F <sub>2</sub>	F <sub>3</sub>	kg
60	47,5	10,2	98	M12	111	32	2	20	14	3,3

Typical Applications:  
 Potencijalno mesto ugradnje i primena:

Disc Harrows  
 Tanjirače

# AGRO POINT HUB

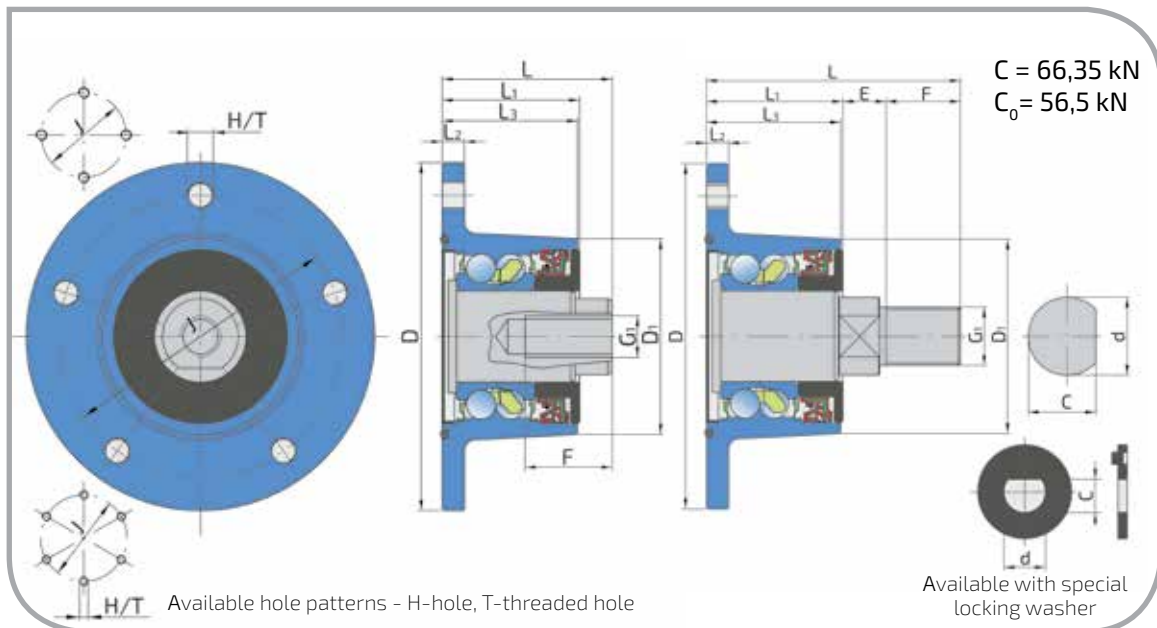
## AGRO POINT ležaj



### Agro Point IL60



AGRO POINT HUB  
AGRO POINT ležaj



#### Dimensions/Osnovne mere (mm)

Designation/Oznaka	J	H/T	d	C	M	MI	E	F	L	kg
IL60-00-M20x1.5	-	without	31	34,9	-	M20x1,5	-	40	78	4,2
IL60-120/4H-M20	120	4x11	34	31	-	M20	-	14	96	4,35
IL60-120/4x12,5H-M20	120	4x12,5	34	31	-	M20	-	14	96	4,35
IL60-122/6H-M24	122	6x12	35	32,5	M24x2	-	16,5	27	106,5	4,2
IL60-130/6T-M24	130	6xM12x1,25	30	28	M24x2	-	24,5	33,5	121	4,6
IL60-130/6T-M27	130	6xM12x1,25	36	33,5	M27x2	-	21	33,5	117,5	4,4
IL60-130/6T-M30-03	130	6xM12x1,25	40	37	M30x1,5	-	32	29	124	4,8
IL60-130/6T-M30-112-03	130	6xM12x1,25	40	37	M30x1,5	-	20	29	112	4,4
IL60-133/4H-3/4-16UNF	133,35	4x13,5	31	34,9	-	3/4-16UNF	-	40	78	4,1
IL60-140/5T-M27	140	5xM12x1,25	36	33,5	M27x2	-	21	33,5	117,5	4,4
IL60-140/6T-M27	140	6xM12x1,25	36	33,5	M27x2	-	21	33,5	117,5	4,4

Typical Applications:

Potencijalno mesto ugradnje i primena:

Disc Harrows  
Tanjirače



# Bearing Unit

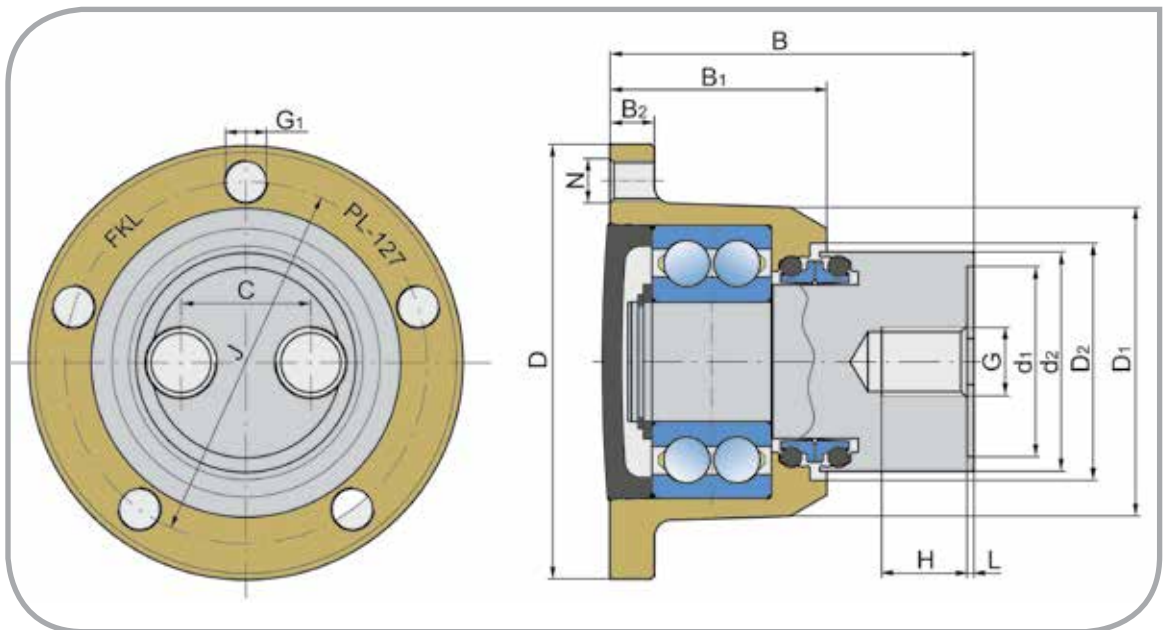
## Ležajna jedinica

PL-127

### COMPARATIVE DESIGNATION

#### UPOREDNE OZNAKE

FKL	PL-127
HORSCH	28071300
	28085600
	28077800
	28077900



Dimensions/Osnovne mere (mm)

D	D <sub>1</sub>	D <sub>2</sub>	d <sub>1</sub>	d <sub>2</sub>	J	H	L	B	B <sub>1</sub>	B <sub>2</sub>	N	G <sub>1</sub>	G	C	kg
127,3	90,4	69,5	64,2	55,7	106	25	2	106,5	63,5	13	13	M12	M20	38	4

#### Typical Applications:

Potencijalno mesto ugradnje i primena:

Disc Harrows  
Tanjirače

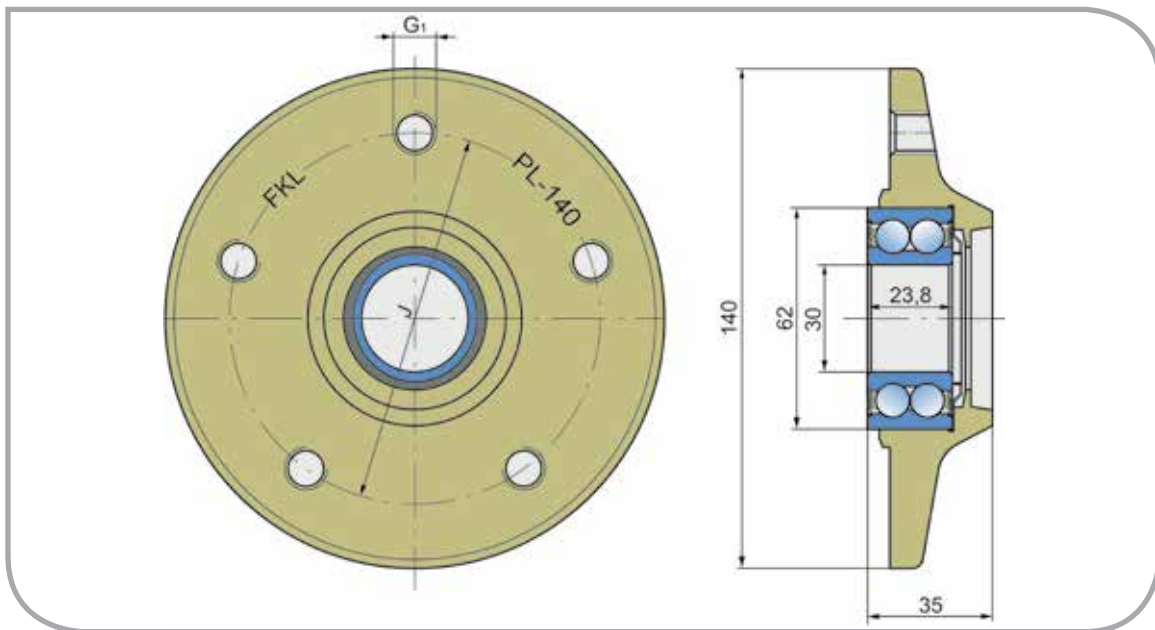


# Bearing Unit

## Ležajna jedinica



PL-140



Dimensions/Osnovne mere (mm)

J	M	kg
104	M12	1,5

Disc Harrows  
Tanjirače

Typical Applications:  
Potencijalno mesto ugradnje i primena:

Disc Harrow Solutions  
Ležajevi tanjirače



# Bearing Unit

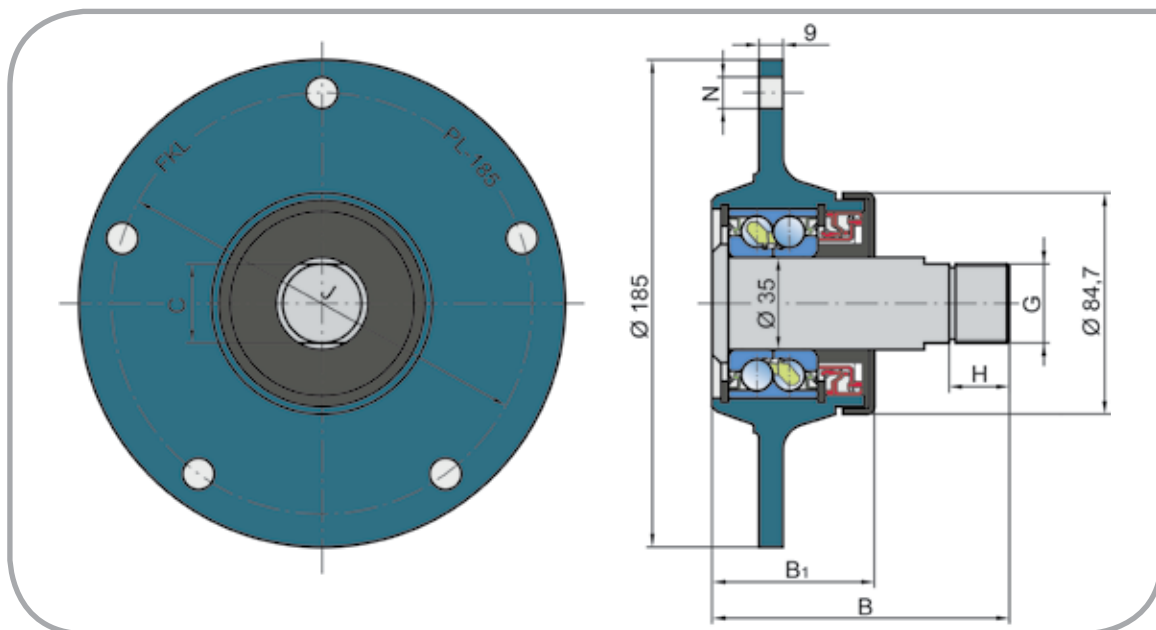
## Ležajna jedinica

### PL-185-M30-R (L)

#### COMPARATIVE DESIGNATION

UPOREDNE OZNAKE

FKL	PL-185-M30-R (L)
LEMKEN	5554502 (5554503) 55510014 (55510015)



#### Dimensions/Osnovne mere (mm)

Designation/Oznaka	C	J	N	B	B <sub>1</sub>	H	G	kg
PL-185-M30-R	30	160	12	113	61,6	23	M30x1,5	3,92
PL-185-M30-L	30	160	12	113	61,6	23	M30x1,5-L	3,92

Part/Deo	FKL designation/ FKL oznaka	Comparative designations/ Uporedne oznake	Proizvođač/ Producer
Nut/Navrtka	M 30x1,5 DIN 439 ZN6.PS.CB M 30x1,5-LH DIN 439 ZN6.PS.CB	3030994 3030995	LEMKEN
Cap/Poklopac	PL-185/4	32310065	LEMKEN
Washer/Podloška	PL-185/9	3051327	LEMKEN
Dirtblock seal/Zaptivka	ST16 45-70-14/17	3238301	LEMKEN

#### Typical Applications:

Potencijalno mesto ugradnje i primena:

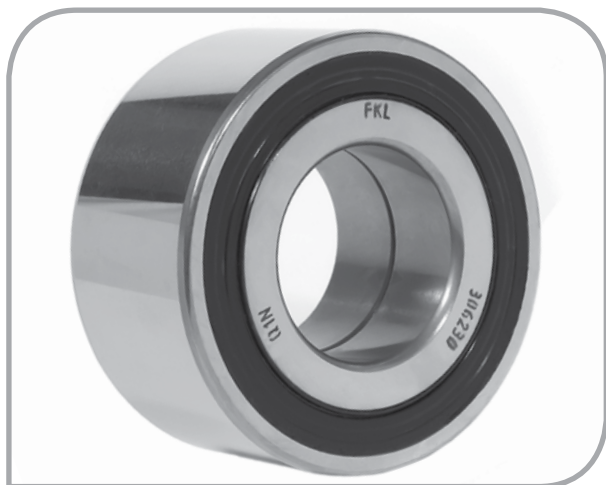
Disc Harrows  
Tanjirače

# Double Row Angular Contact Ball Bearing

## Dvoredni kuglični ležaj sa kosim dodirom



306230

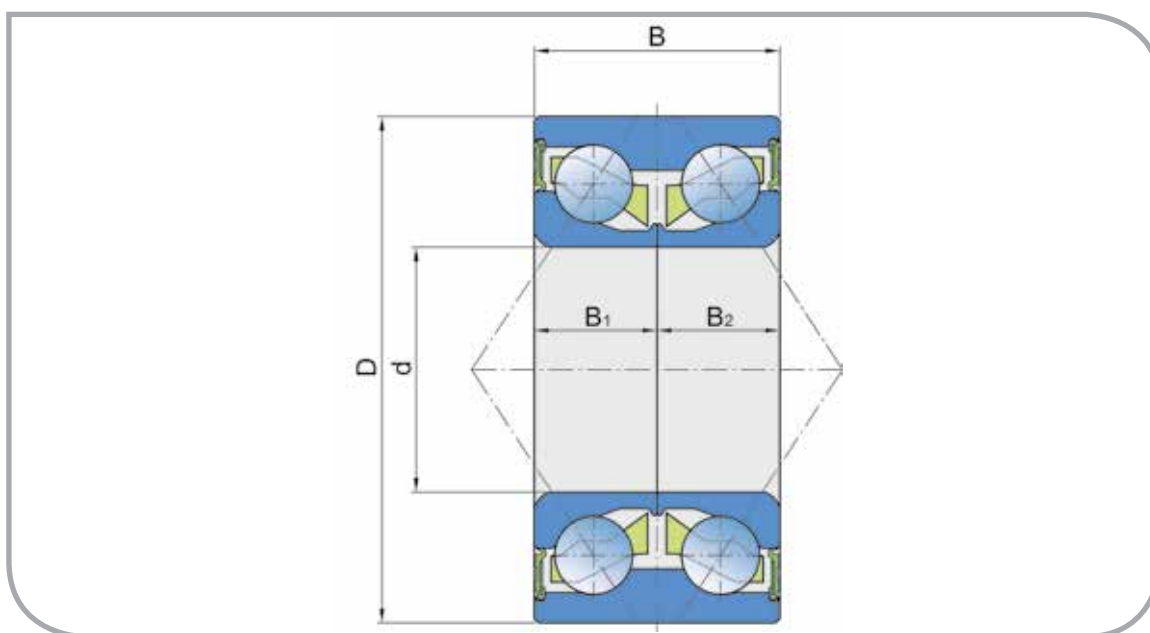


### COMPARATIVE DESIGNATION

#### UPOREDNE OZNAKE

FKL	306230
LEMKEN	3198760

Disc Harrow Solutions  
Ležajevi tanjirače



Dimensions/Osnovne mere (mm)

d	D	B	B <sub>1</sub>	B <sub>2</sub>	kg
30	62	30	15	15	0,390

Disc Harrows  
Tanjirače

Typical Applications:  
Potencijalno mesto ugradnje i primena:

# Double Row Angular Contact Ball Bearing

## Dvoredni kuglični ležaj sa kosim dodirom

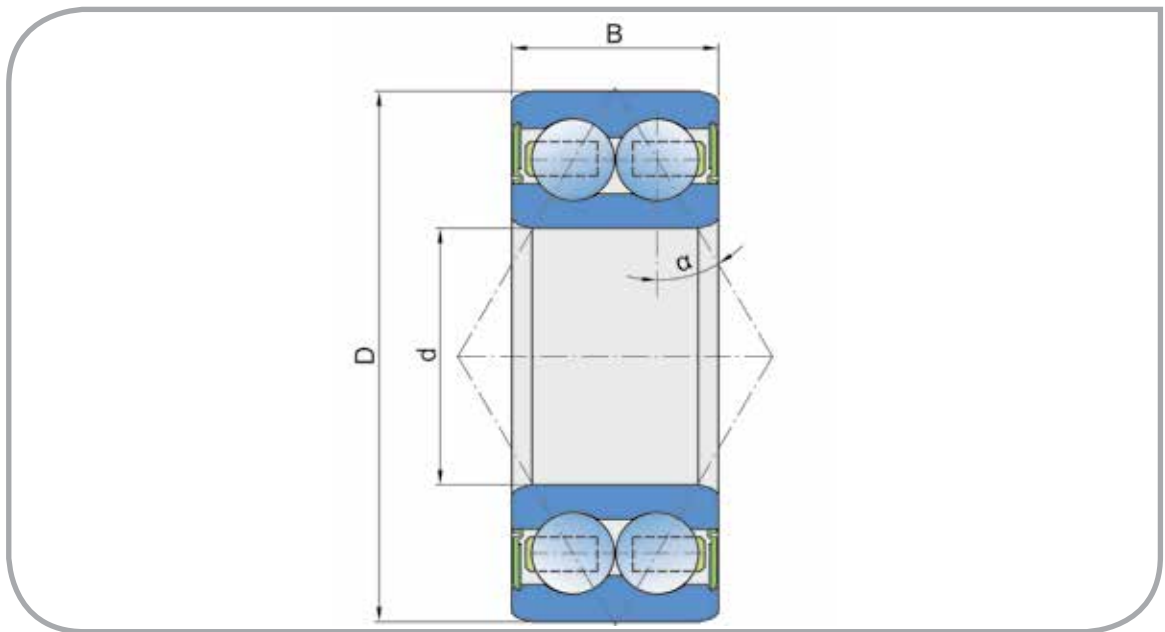
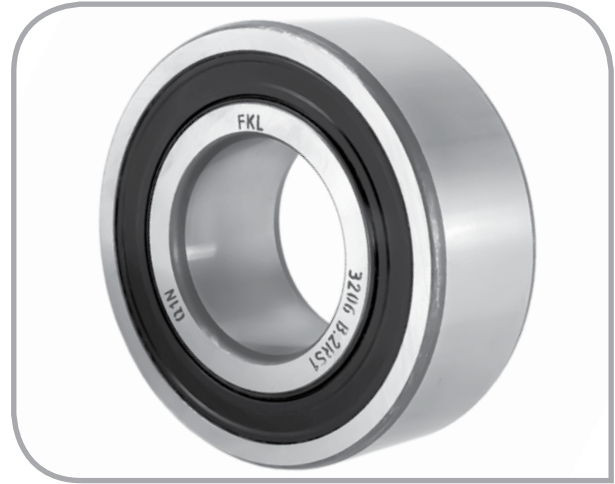


### 3206 B.2RS1

#### COMPARATIVE DESIGNATION

UPOREDNE OZNAKE

FKL	3206 B.2RS1
FAG	3206-BD-XL-2HRS-TVH
HORSCH	00240161
KVERNELAND	AC671261
NTN	5206 C LLU
SNR	5206 EEG15



Dimensions/Osnovne mere (mm)

d	D	B	$\alpha$	kg
30	62	23,8	30°	0,285

Typical Applications:

Potencijalno mesto ugradnje i primena:

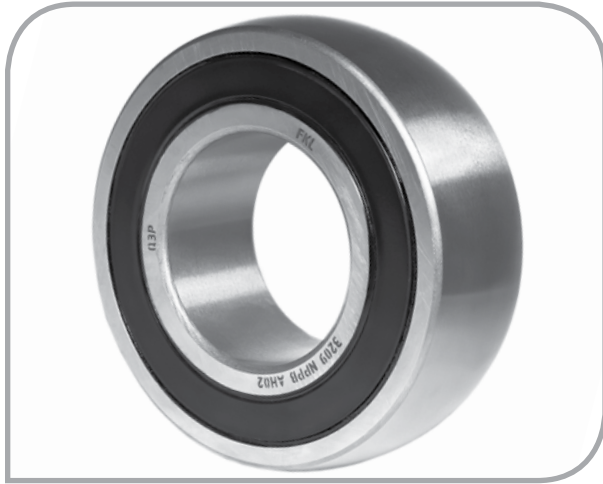
Disc Harrows  
Tanjirače

# Double Row Angular Contact Ball Bearing

## Dvoredni kuglični ležaj sa kosim dodirom



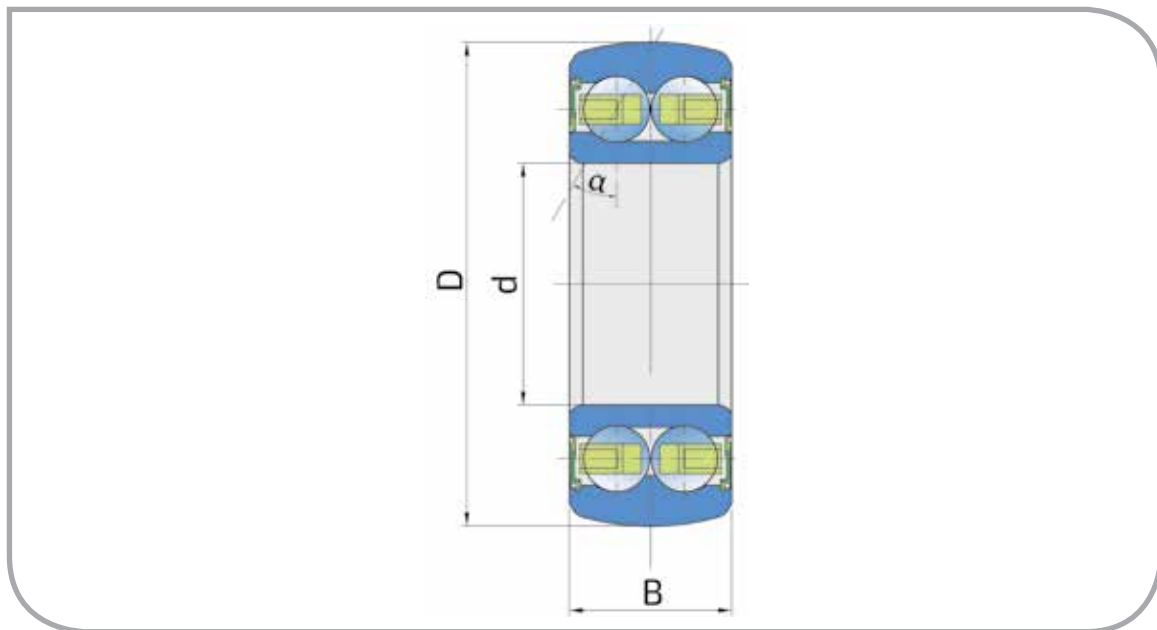
### 3209 NPPB.AH02



#### COMPARATIVE DESIGNATION

#### UPOREDNE OZNAKE

FKL	3209 NPPB.AH02
INA	3209NPPBAH02
JOHN DEERE	AZ37467



Dimensions/Osnovne mere (mm)

d	D	B	$\alpha$	kg
45	90	30,2	30°	0,63

Disc Harrows  
Tanjirače

Typical Applications:  
Potencijalno mesto ugradnje i primena:

Disc Harrow Solutions  
Ležajevi tanjirače



# Double Row Angular Contact Ball Bearing

## Dvoredni kuglični ležaj sa kosim dodirom

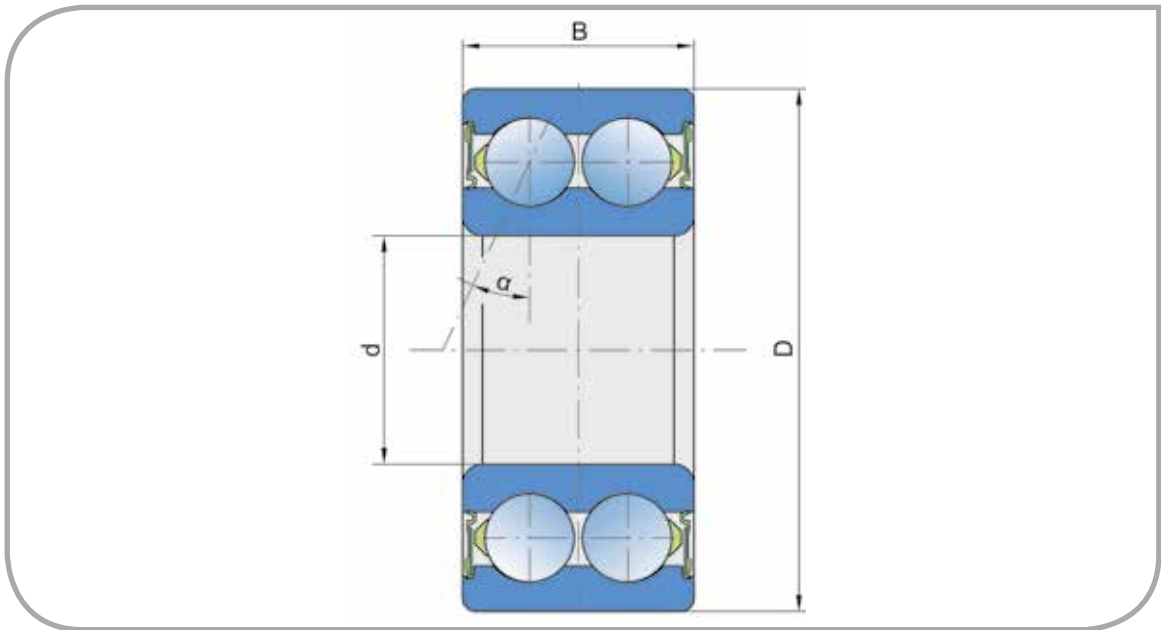


3307 B.2RS1

### COMPARATIVE DESIGNATION

#### UPOREDNE OZNAKE

<b>FKL</b>	<b>3307 B.2RS1</b>
HORSCH	00240189 00240213
INA/FAG	3307-BD-XL-2HRS-TVH
NSK	3307 B.2RS.TNG
NTN	5307 C LLU
SNR	5307EEG15



Dimensions/Osnovne mere (mm)

d	D	B	$\alpha$	kg
35	80	34,9	25°	0,7

#### Typical Applications:

Potencijalno mesto ugradnje i primena:

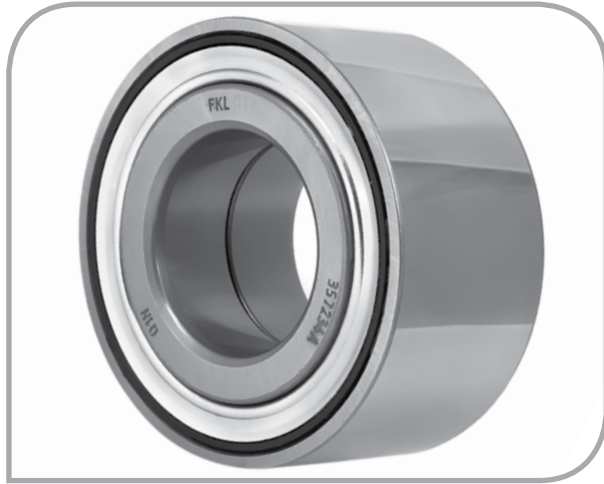
Disc Harrows  
Tanjirače

# Double Row Angular Contact Ball Bearing

## Dvoredni kuglični ležaj sa kosim dodirom



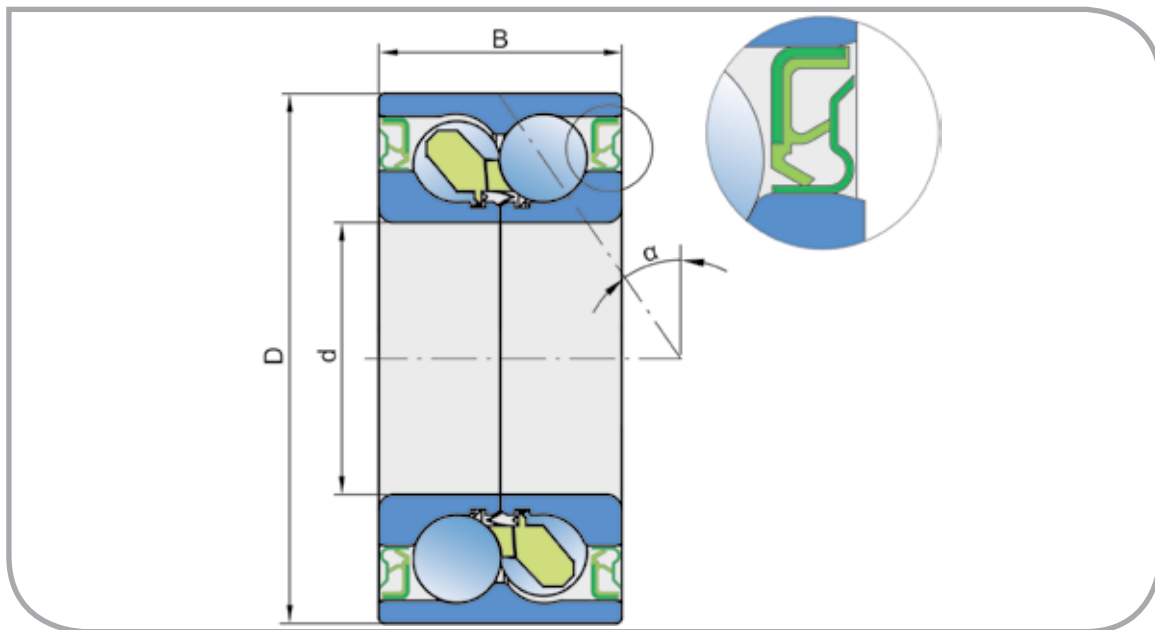
### 357234A



#### COMPARATIVE DESIGNATION

#### UPOREDNE OZNAKE

FKL	357234A
CLAAS	939717.0
FAG	540763
FERSA	F16201
KOYO	DAC35720034 A
LEMKEN	3198750 F214101-1
NKE	3198750
NSK	35BWD01C
SNR	GB-40582



#### Dimensions/Osnovne mere (mm)

d	D	B	$\alpha$	kg
35	72	34	40°	0,539

Disc Harrows  
Tanjirače

Typical Applications:  
Potencijalno mesto ugradnje i primena:

Disc Harrow Solutions  
Ležajevi tanjirače

# Double Row Angular Contact Ball Bearing

*Dvoredni kuglični ležaj sa kosim dodirom*

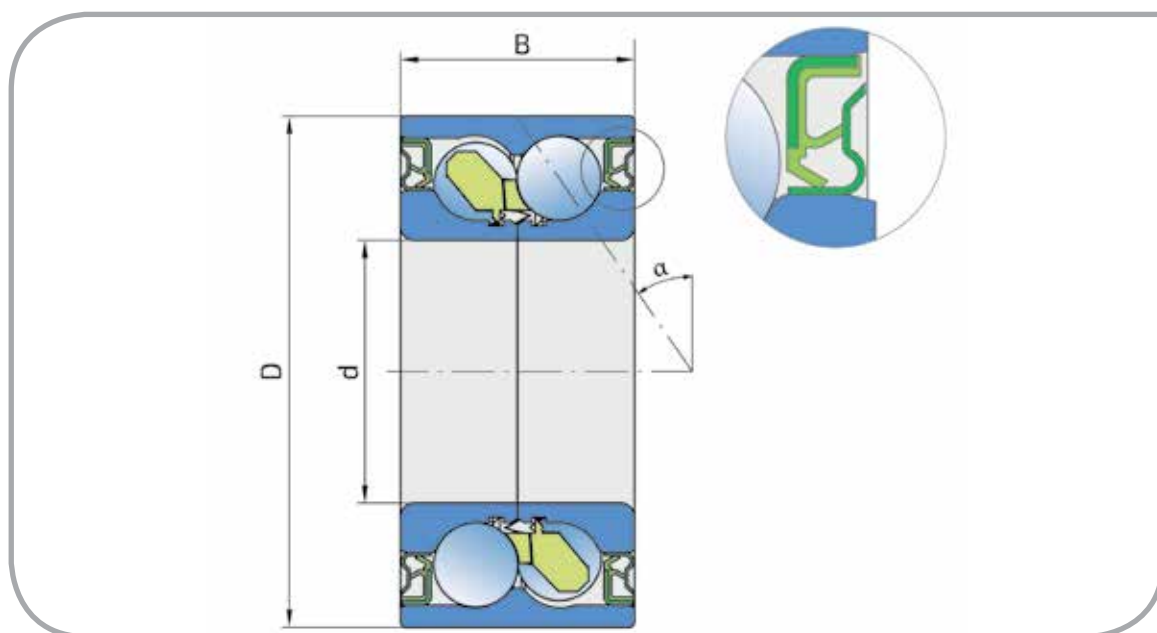
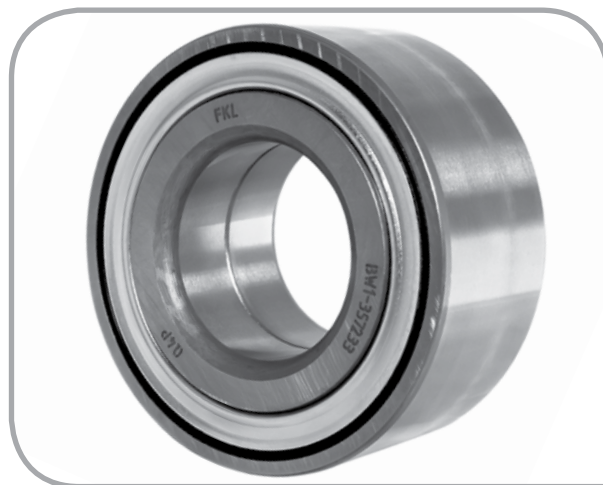


BW1 - 357233

## COMPARATIVE DESIGNATION

*UPOREDNE OZNAKE*

FKL	BW1 - 357233
FAG	548083
FERSA	F16026
JOHN DEERE	DC 23368
SNR	GB44386
	GB40582
	GB40714
	GB40878
	R159.14



Dimensions/Osnovne mere (mm)

d	D	B	$\alpha$	kg
35	72,043	33	40°	0,553

Typical Applications:

*Potencijalno mesto ugradnje i primena:*

Disc Harrows/Tanjirače  
Disc Mowers/Kosačice

# Bearing Unit with Pressed Steel Housing

## Ležajna jedinica sa limenim kućištem



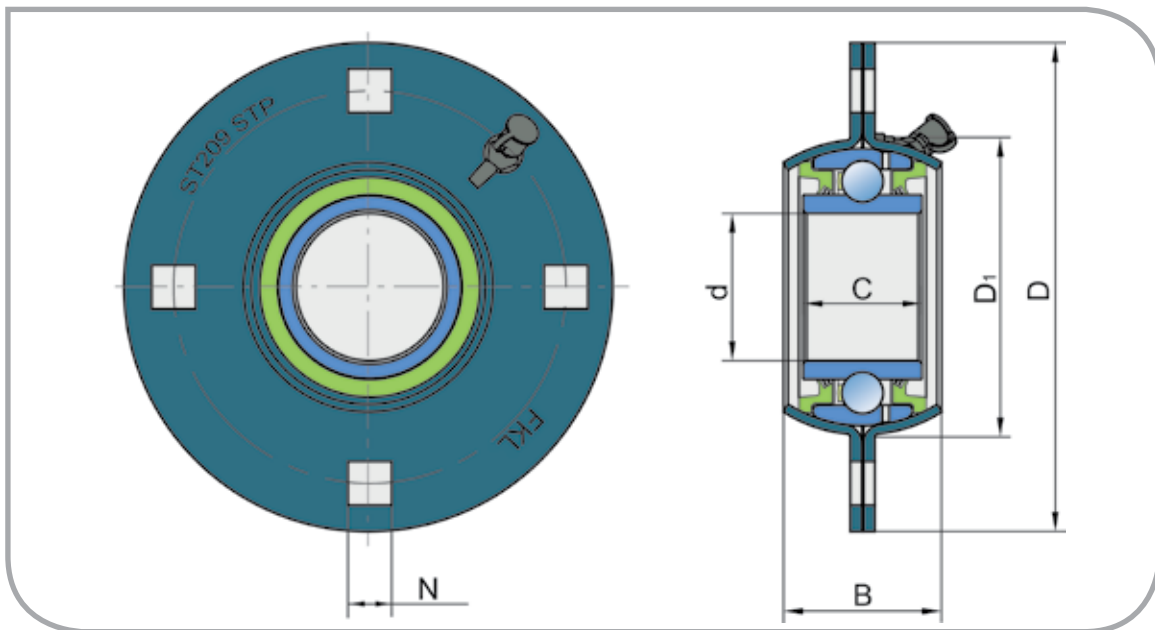
### GWST 209PPB13



#### COMPARATIVE DESIGNATION

#### UPOREDNE OZNAKE

FKL	GWST 209PPB13
BCA	DS209TTR13
GREAT PLAINS	822-207C
JOHN DEERE	AA28184 AA29784 AA30941 ST 209 1 3/4
KENT	FC2286



Dimensions/Osnovne mere (mm)

d	D	D <sub>1</sub>	B	C	N	kg
45,24	150	93	48,5	36,53	13,5	1,836

Disc Harrows  
Tanjirače

Typical Applications:  
Potencijalno mesto ugradnje i primena:

Disc Harrow Solutions  
Ležajevi tanjirače

# Bearing Unit with Pressed Steel Housing

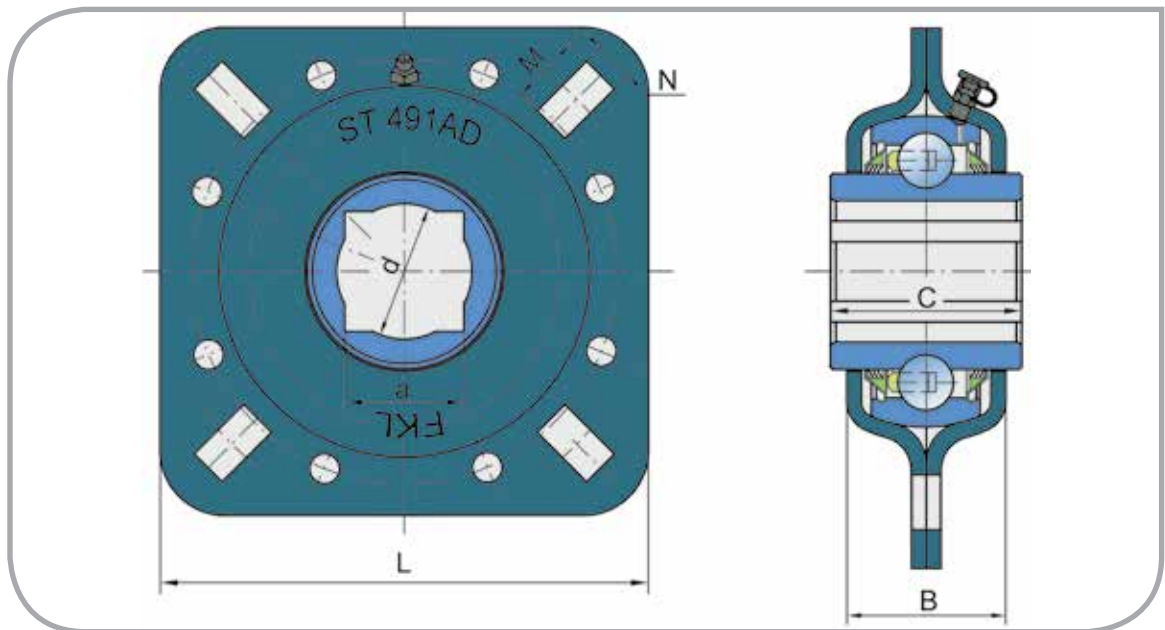
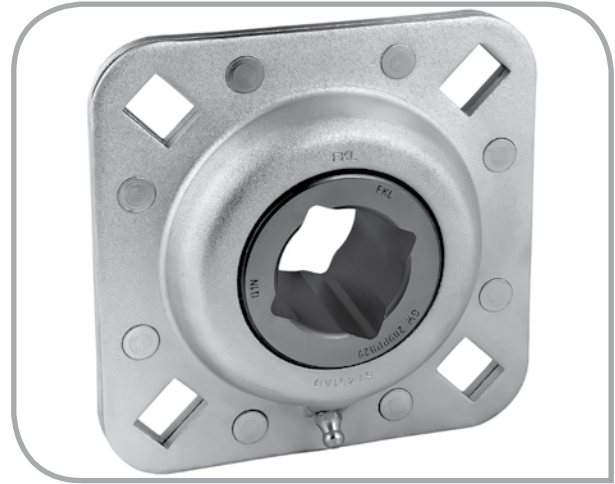
## Ležajna jedinica sa limenim kućištem



### GWST 209PPB29

#### COMPARATIVE DESIGNATION UPOREDNE OZNAKE

FKL	GWST 209PPB29
FAFNIR	DHU1145209
GREAT PLAINS	822-209C
KRAUSE	40-128 ST 209 11/45Q
KUHN	FD209RK
NEW HOLLAND	84151226
QUINSTAR	311007



Dimensions/Osnovne mere (mm)

a	d	B	C	L	M	N	kg
32,8	35,5	39	42,85	127	17,5	13,5	1,630

#### Typical Applications:

Potencijalno mesto ugradnje i primena:

Disc Harrows  
Tanjirače

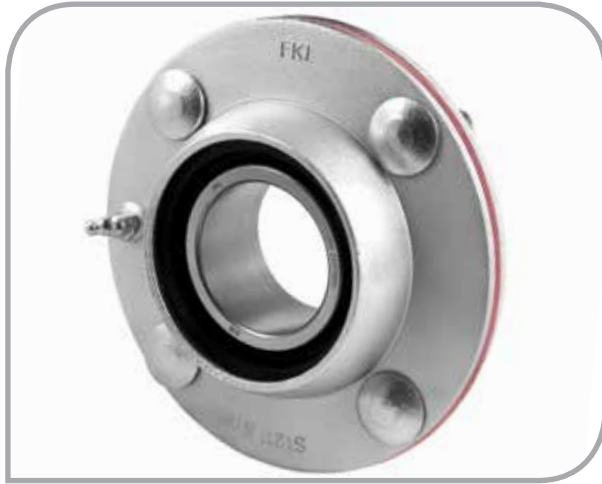


# Bearing Unit with Pressed Steel Housing

## Ležajna jedinica sa limenim kućištem



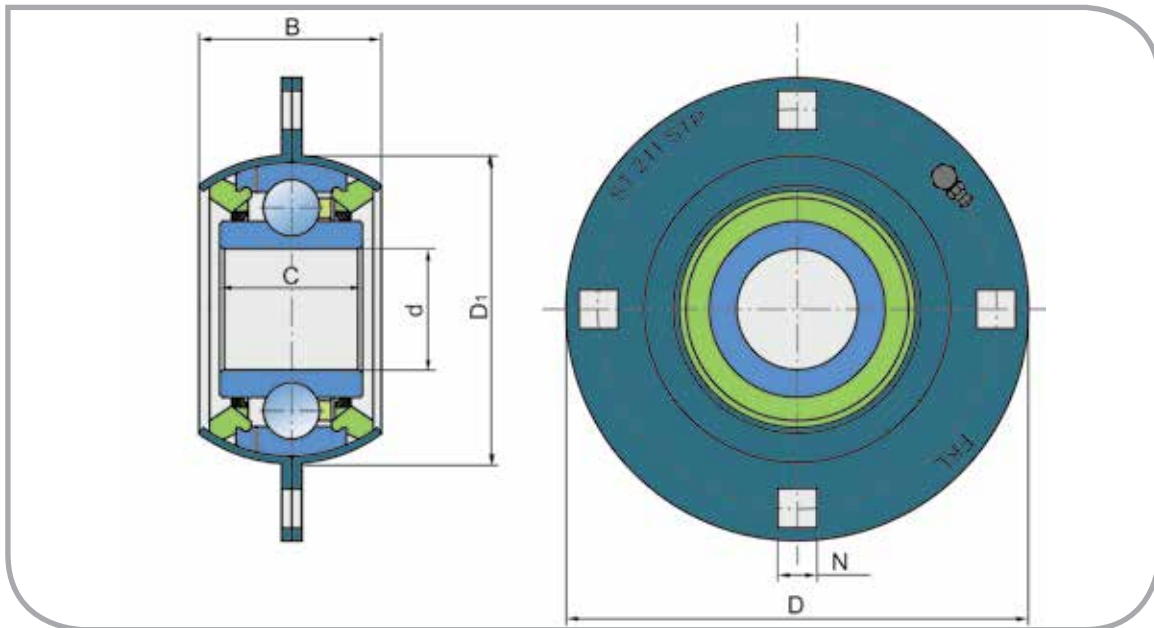
### GWST 211PPB20



#### COMPARATIVE DESIGNATION

#### UPOREDNE OZNAKE

FKL	GWST 211PPB20
BCA	DS211TTR20
JOHN DEERE	AA27172 AA28186 AA30942 ST 211-2 3/16



Dimensions/Osnovne mere (mm)

d	D	D <sub>1</sub>	B	C	N	kg
55,7	167	109	56,5	39,7	13,5	2,706

Disc Harrows  
Tanjirače

Typical Applications:  
Potencijalno mesto ugradnje i primena:

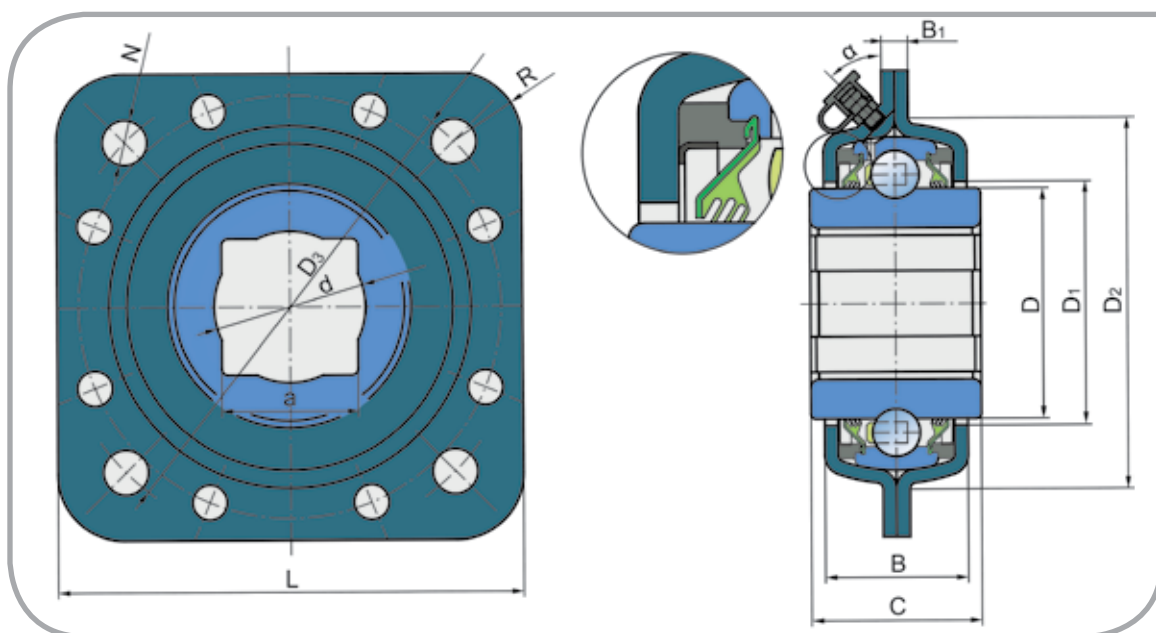
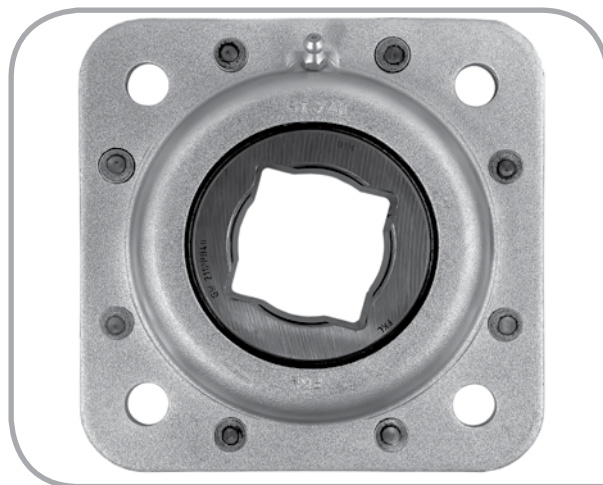
Disc Harrow Solutions  
Ležajni tanjirače

# Bearing Unit with Pressed Steel Housing

## Ležajna jedinica sa limenim kućištem



GWST 211PPBP40.X3



Dimensions/Osnovne mere (mm)

a	d	C	B	B <sub>1</sub>	D	D <sub>1</sub>	D <sub>2</sub>	D <sub>3</sub>	L	N	R	α	kg
40,5	45,5	55,55	44,7	8	69,1	73,2	113	140	140	13,5	20	45°	2,26

Typical Applications:

Potencijalno mesto ugradnje i primena:

Disc Harrows  
Tanjirače

# Ball Bearing

## Kuglični ležaj

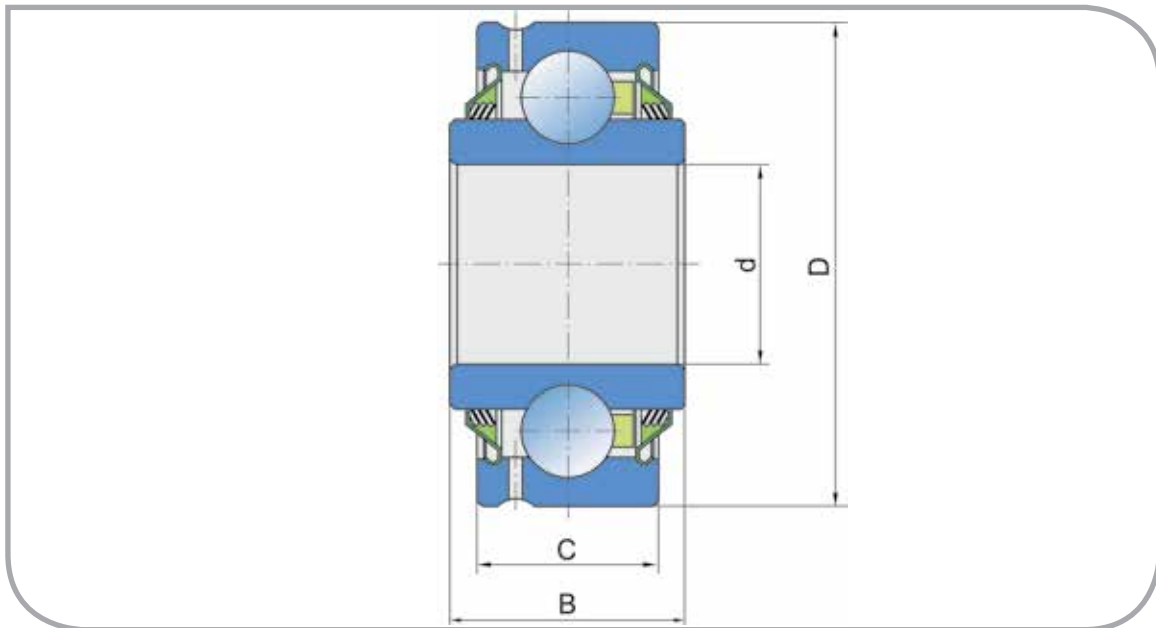


### GW 211PP25



#### COMPARATIVE DESIGNATION UPOREDNE OZNAKE

FKL	GW 211PP25
BCA	DC211TTR21
CHALLENGER	GW 211PP25
FAFNIR	GW 211PP37
INA	GW 211PP25
LANDOLL	140464
PEER	GW 211PP25
SUNFLOWER	SN3091



#### Dimensions/Osnovne mere (mm)

d	D	B	C	kg
45,212	100	44,5	33,34	1,11

Disc Harrows  
Tanjirače

Typical Applications:  
Potencijalno mesto ugradnje i primena:

Disc Harrow Solutions  
Ležajevi tanjirače



# Ball Bearing

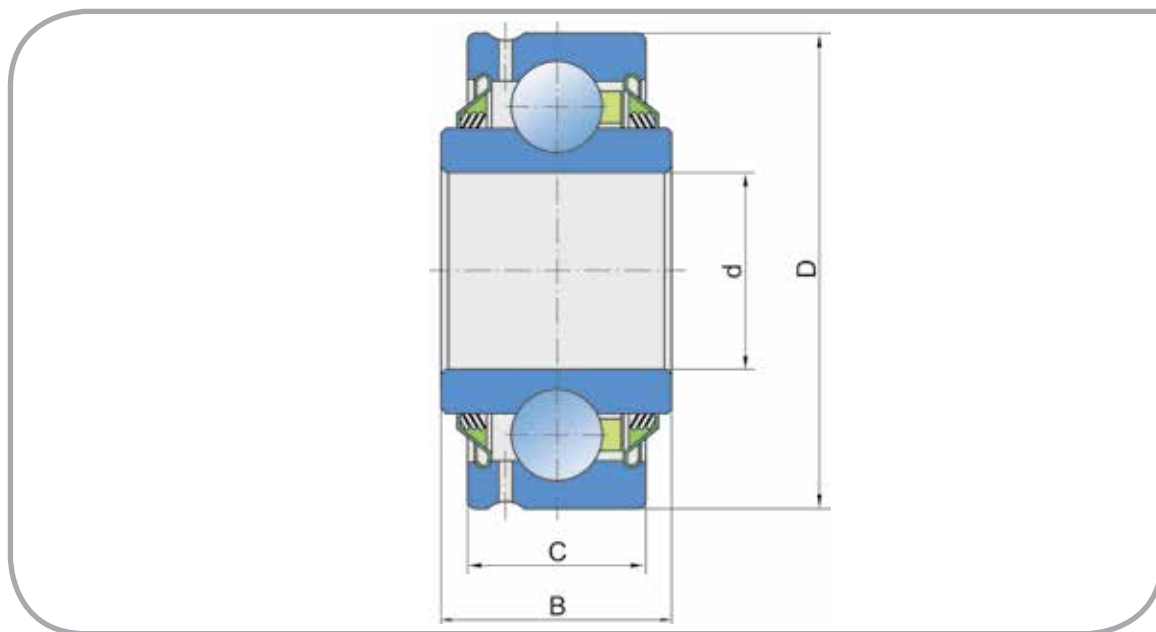
## Kuglični ležaj

### GW 211PP202

#### COMPARATIVE DESIGNATION

#### UPOREDNE OZNAKE

FKL	GW 211PP202
INA	GW211PP202
SUMMERS	8K2000



Dimensions/Osnovne mere (mm)

d	D	B	C	kg
51,308	100	60,3	33,34	1,11

#### Typical Applications:

Potencijalno mesto ugradnje i primena:

Disc Harrows  
Tanjirače

# Rubberized Bearing Unit

## Gumirana ležajna jedinica



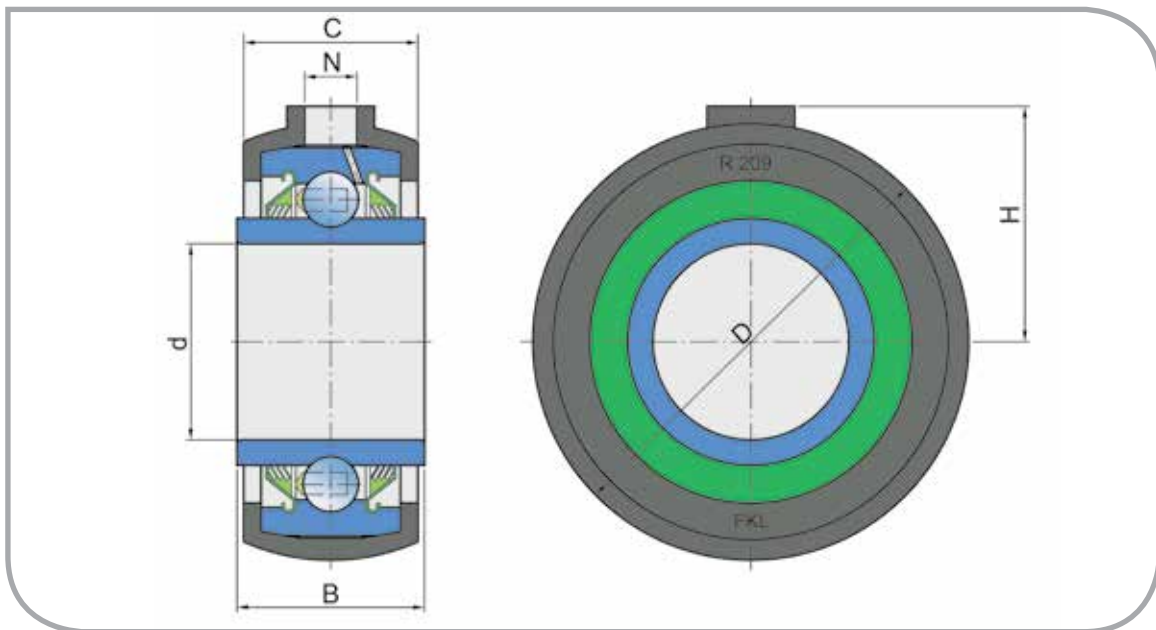
### GWR 209PPB30



#### COMPARATIVE DESIGNATION

#### UPOREDNE OZNAKE

FKL	GWR 209PPB30
KABAT	1927-11-0
KRAUSE	40-167 Q4008350
PEER	GW209PPB23+BR209RH



Dimensions/Osnovne mere (mm)

d	D	B	H	C	N	kg
44,958	101	42,86	54	40	12,7	0,92

Disc Harrows  
Tanjirače

Typical Applications:  
Potencijalno mesto ugradnje i primena:

Disc Harrow Solutions  
Ležajevi tanjirače





# Rubberized Bearing Unit

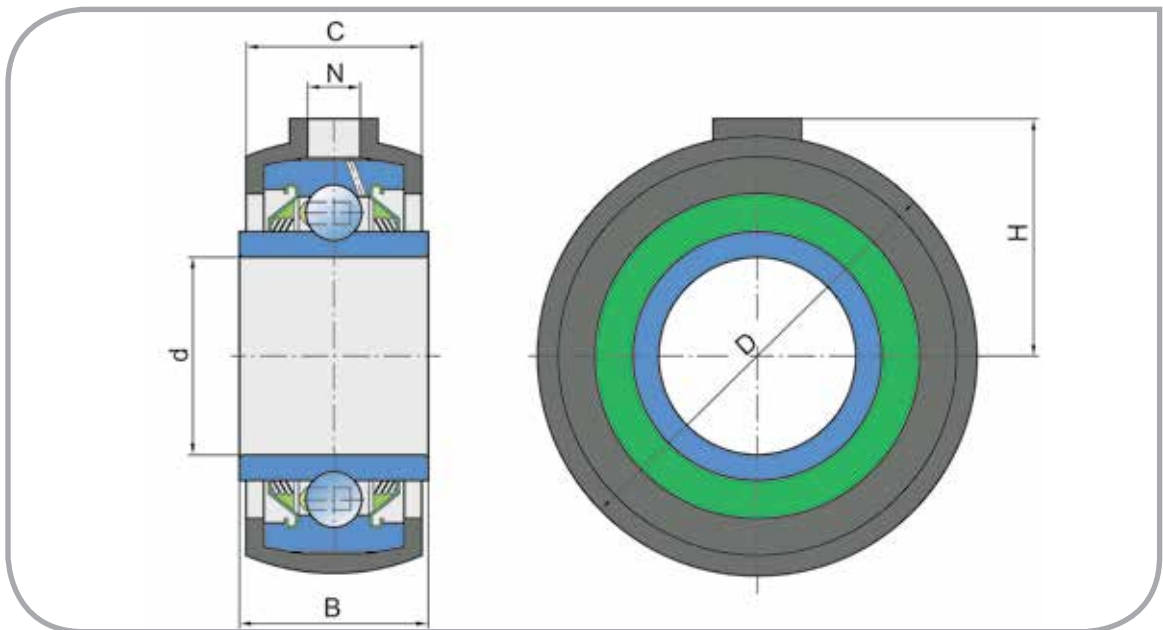
## Gumirana ležajna jedinica

### GWR 211PPB21

#### COMPARATIVE DESIGNATION

#### UPOREDNE OZNAKE

FKL	GWR 211PPB21
GREAT PLAINS	822-026
KRAUSE	40-173 2410-11-0 CDS211TTR23/3A
NTN	CDS211TTR23
PEER	GW211PPB21+BR211RH



Dimensions/Osnovne mere (mm)

d	D	B	H	C	N	kg
45,212	113	53,975	60,5	44,7	12,7	1,620

#### Typical Applications:

Potencijalno mesto ugradnje i primena:

Disc Harrows  
Tanjirače

# Ball Bearing

## Kuglični ležaj



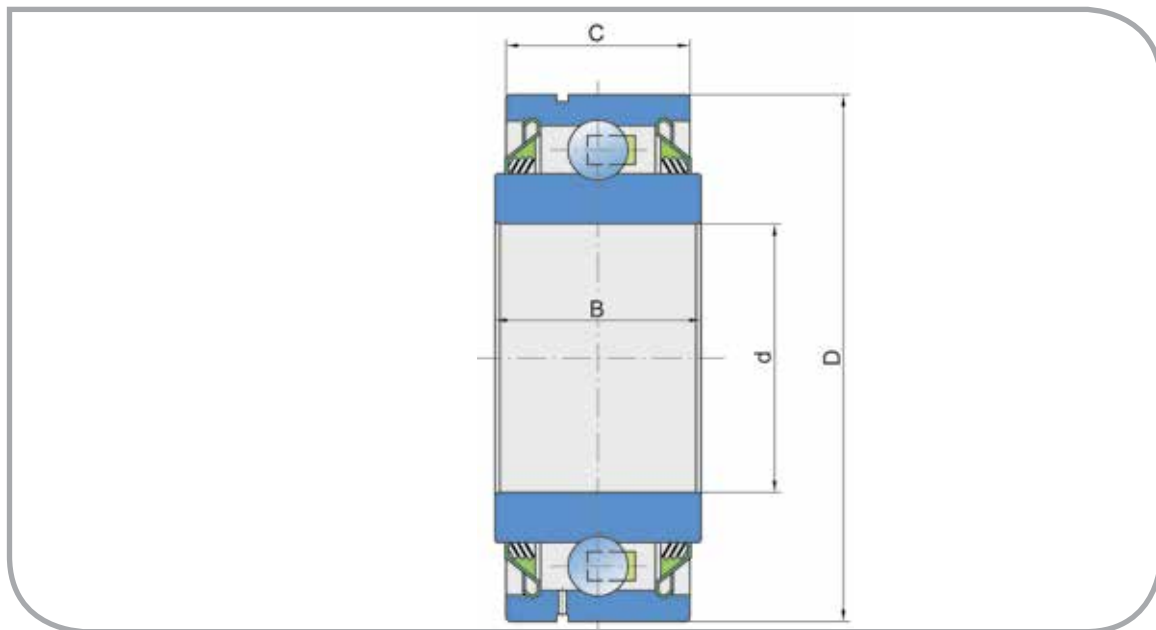
### SBX 1227



#### COMPARATIVE DESIGNATION UPOREDNE OZNAKE

FKL	SBX 1227
BCA	DS212TTRBN
CASE	409556A1
FAFNIR	GW212PPRBN
NTN	SBX1227LLSQ1

Disc Harrow Solutions  
Ležajevi tanjirače



Dimensions/Osnovne mere (mm)

d	D	B	C	kg
55,562	110	55,562	38,3	1,8

Disc Harrows  
Tanjirače

Typical Applications:  
Potencijalno mesto ugradnje i primena:



# Trunnion Bearing Unit

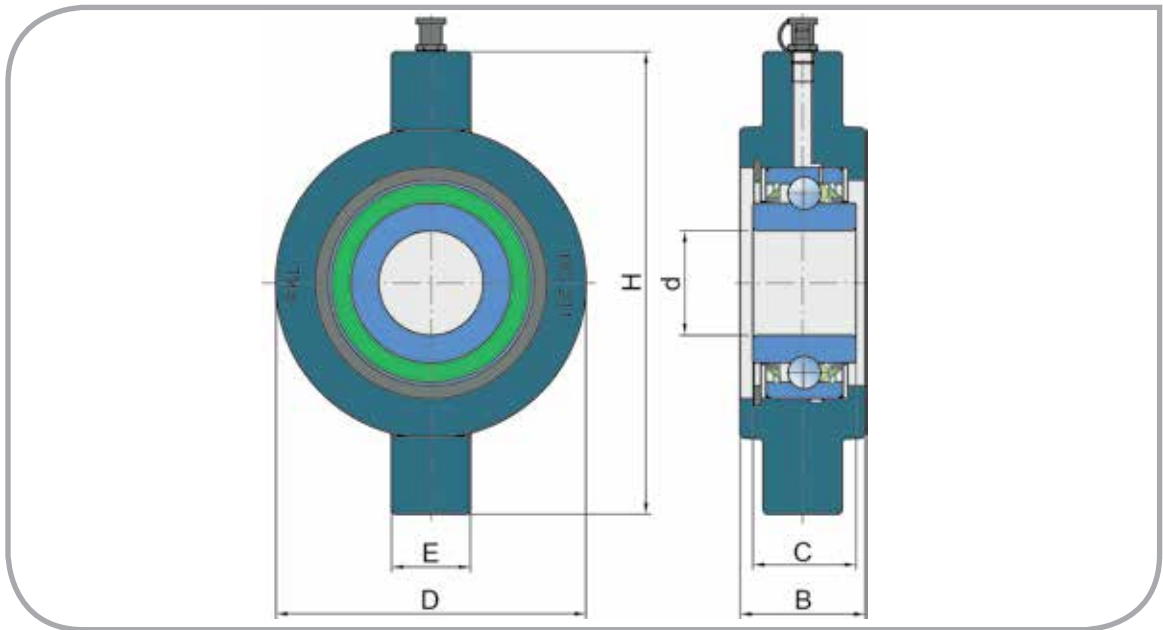
## Podešljiva ležajna jedinica

GWHG 211PP25

### COMPARATIVE DESIGNATION

#### UPOREDNE OZNAKE

FKL	GWHG 211PP25
CHALLENGER	SN30390
LANDOLL	140477
SUNFLOWER	SN3090



Dimensions/Osnovne mere (mm)

d	B	H	D	E	C	kg
45,212	54	200	134	34	44,5	4,88

### Typical Applications:

Potencijalno mesto ugradnje i primena:

Disc Harrows  
Tanjirače

# Trunnion Bearing Unit

## Podešljiva ležajna jedinica



GWHGR 211PP202

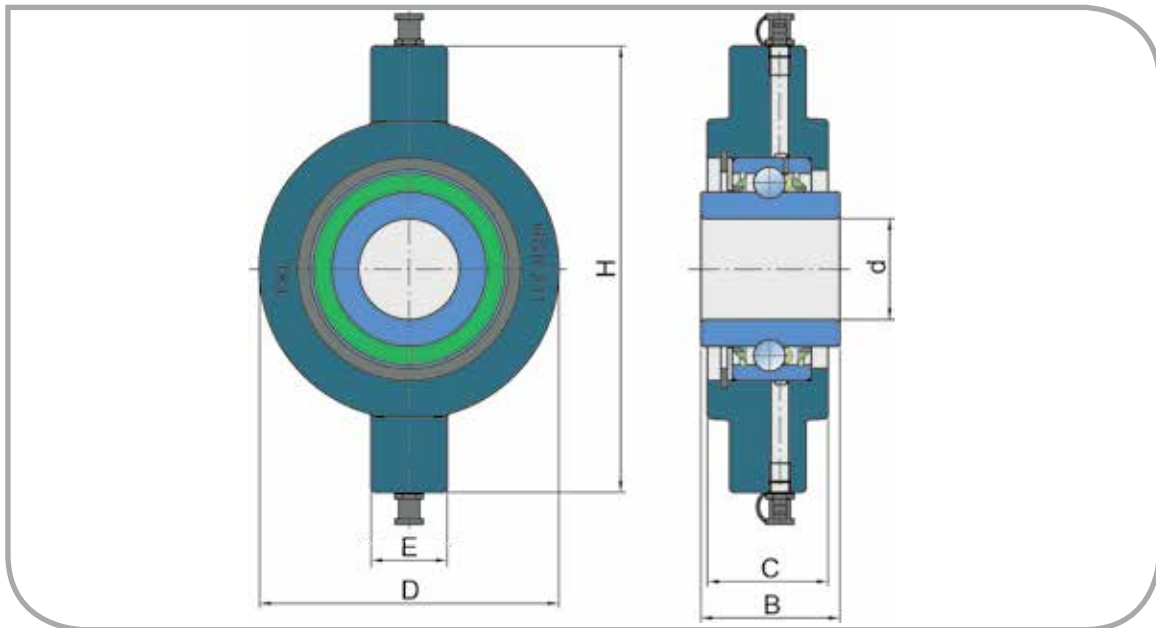


### COMPARATIVE DESIGNATION

#### UPOREDNE OZNAKE

FKL	GWHGR 211PP202
SUMMERS	8K2050

Disc Harrow Solutions  
Ležajevi tanjirače



Dimensions/Osnovne mere (mm)

d	B	H	D	E	C	kg
51,308	60,3	202,5	129,5	37	57	4,8

Disc Harrows  
Tanjirače

Typical Applications:  
Potencijalno mesto ugradnje i primena:



# Double Row Ball Bearing with Shaft

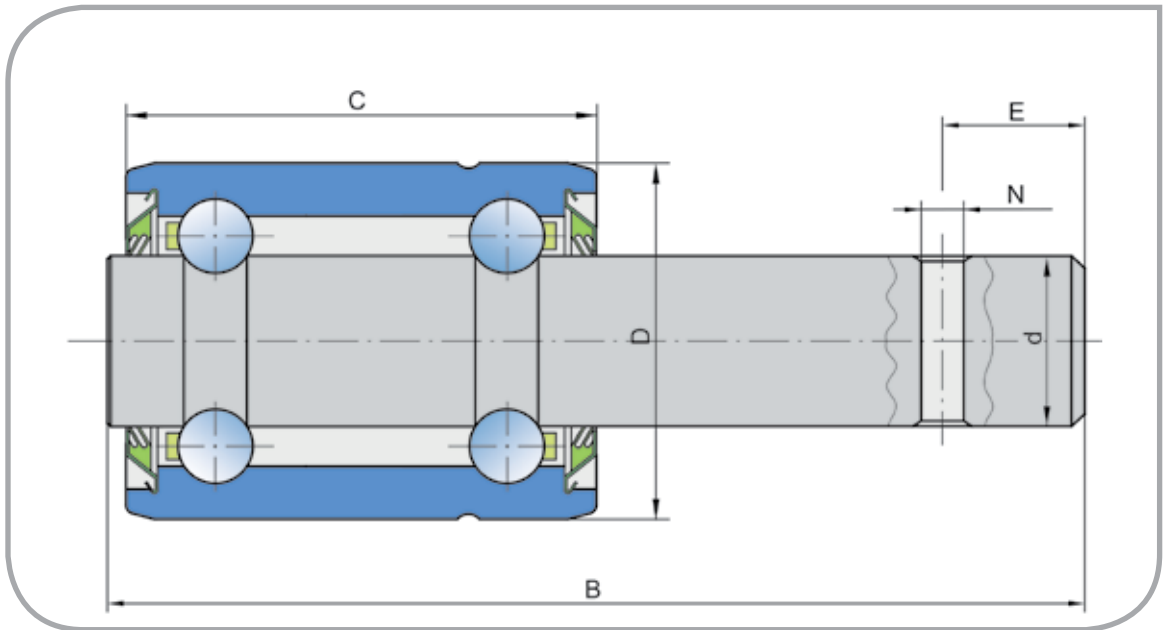
## Dvoredni kuglični ležaj sa osovnicom

VP-16/40/74,5

### COMPARATIVE DESIGNATION

UPOREDNE OZNAKE

FKL	VP-16/40/74,5
GASPARDO	56345058 F04100040
KUHN	N00861A0



Dimensions/Osnovne mere (mm)

d	D	B	C	N	E	kg
15,918	40	74,5	38,9	6,5	12,95	0,352

Typical Applications:

Potencijalno mesto ugradnje i primena:

 Seeding Machine  
 Sejačica



# Double Row Ball Bearing with Shaft

## Dvoredni kuglični ležaj sa osovnicom



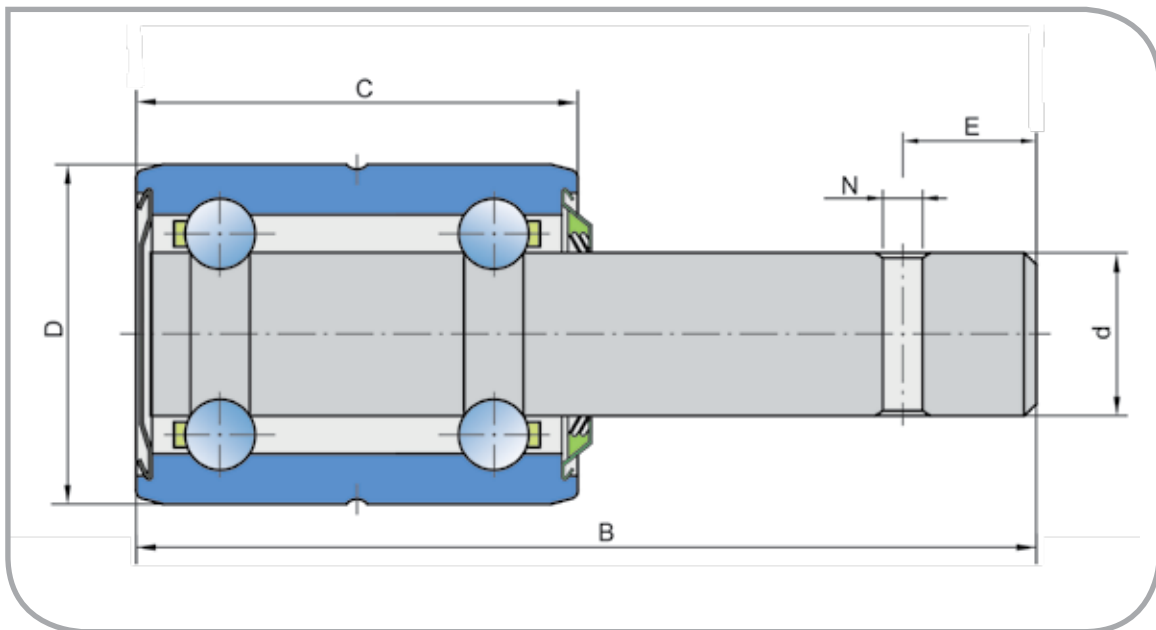
885152



### COMPARATIVE DESIGNATION

#### UPOREDNE OZNAKE

FKL	885152
CASE	128558C91 IH ST 022-096
GASPARDO	F04100041R
JOHN DEERE	AA21015 AA35741
KINZE	GA2022
TORO	751290 AC70593891



Dimensions/Osnovne mere (mm)

d	D	B	C	N	E	kg
15,918	30	69,3	38,9	6,5	11,2	0,178

Seeding Machine  
Sejačica

Typical Applications:  
Potencijalno mesto ugradnje i primena:

Seeding Machine Solutions  
Ležajevi sejačice



# Double Row Ball Bearing with Shaft

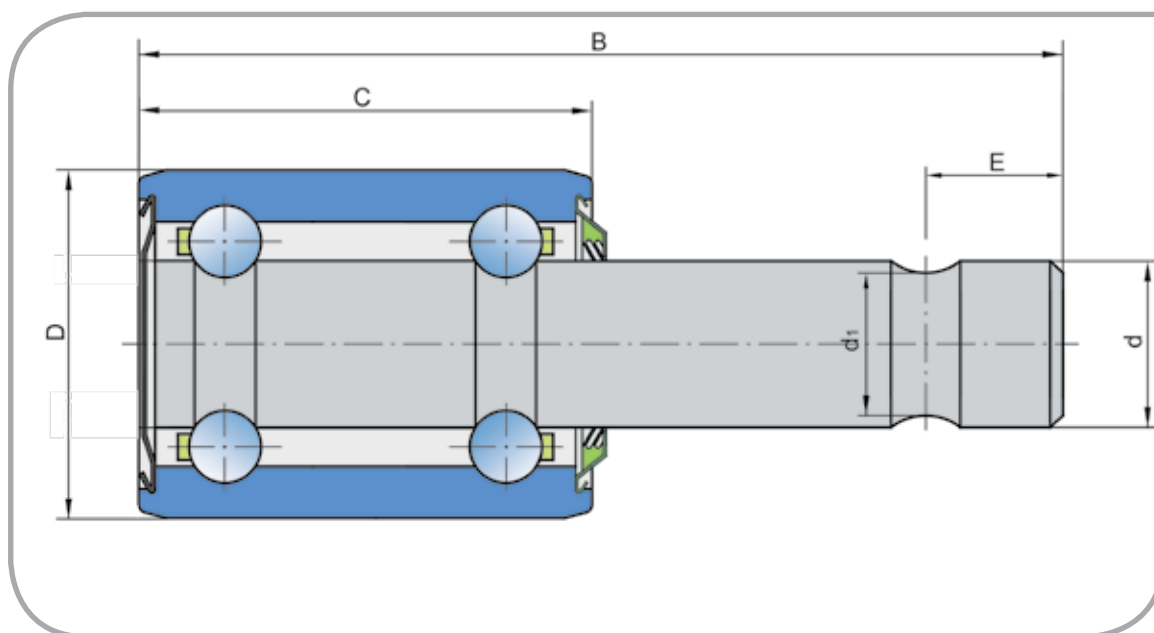
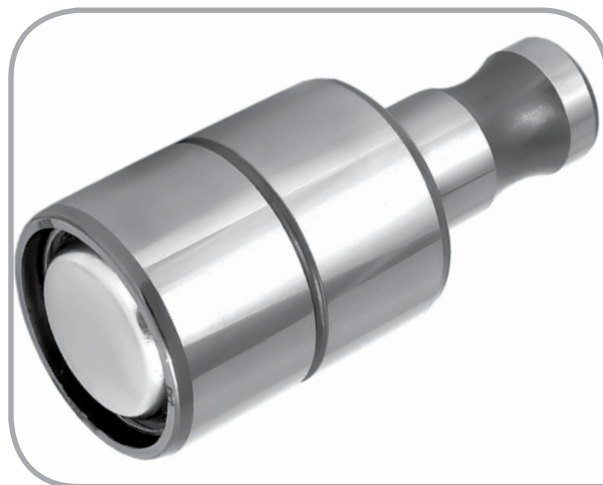
## Dvoredni kuglični ležaj sa osovnicom

885154B

### COMPARATIVE DESIGNATION

UPOREDNE OZNAKE

FKL	885154B
BCA	885154B
GREAT PLAINS	822-023C
HORSCH	00310131
JOHN DEERE	AA49161 AN131668
KOYO	IB06930S
MASSEY FERGUSON	446612MI
NOBLE	369851
TIMKEN	885154B



Dimensions/Osnovne mere (mm)

d	d <sub>1</sub>	D	B	C	E	kg
15,918	13,4	30	69,3	38,9	11,2	0,182

#### Typical Applications:

Potencijalno mesto ugradnje i primena:

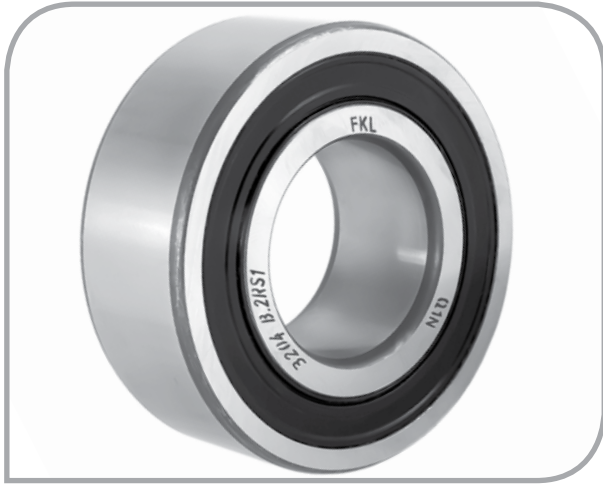
Seeding Machine  
Sejačica

# Double Row Angular Contact Ball Bearing

## Dvoredni kuglični ležaj sa kosim dodirom

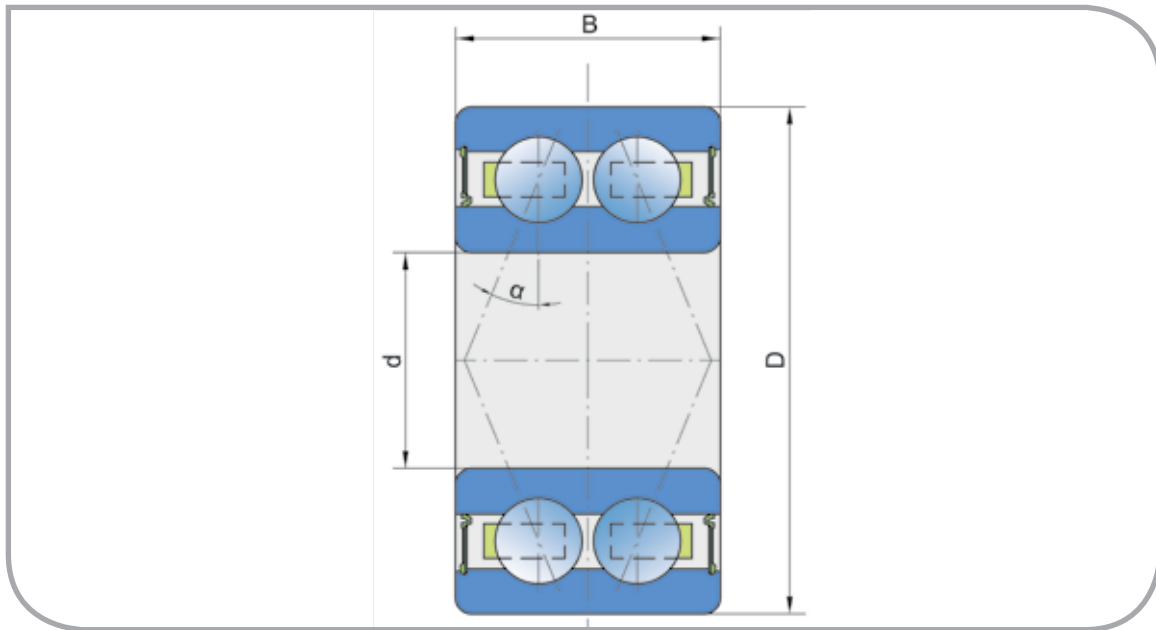


### 3204 B.2RS1



#### COMPARATIVE DESIGNATION UPOREDNE OZNAKE

FKL	3204 B.2RS1
FAG	3204 BD-2HRS-TVH
INA	3204-BD-XL-2HRS-TVH
MONOSEM	7014A
NSK	3204 B.2RS.TNG
NTN	5204C LLU
SNR	5204 EEG15



Dimensions/Osnovne mere (mm)

d	D	B	$\alpha$	kg
20	47	20,6	25°	0,16

Seeding Machine  
Sejačica

Typical Applications:  
Potencijalno mesto ugradnje i primena:

Seeding Machine Solutions  
Ležajevi sejačice

# Double Row Angular Contact Ball Bearing

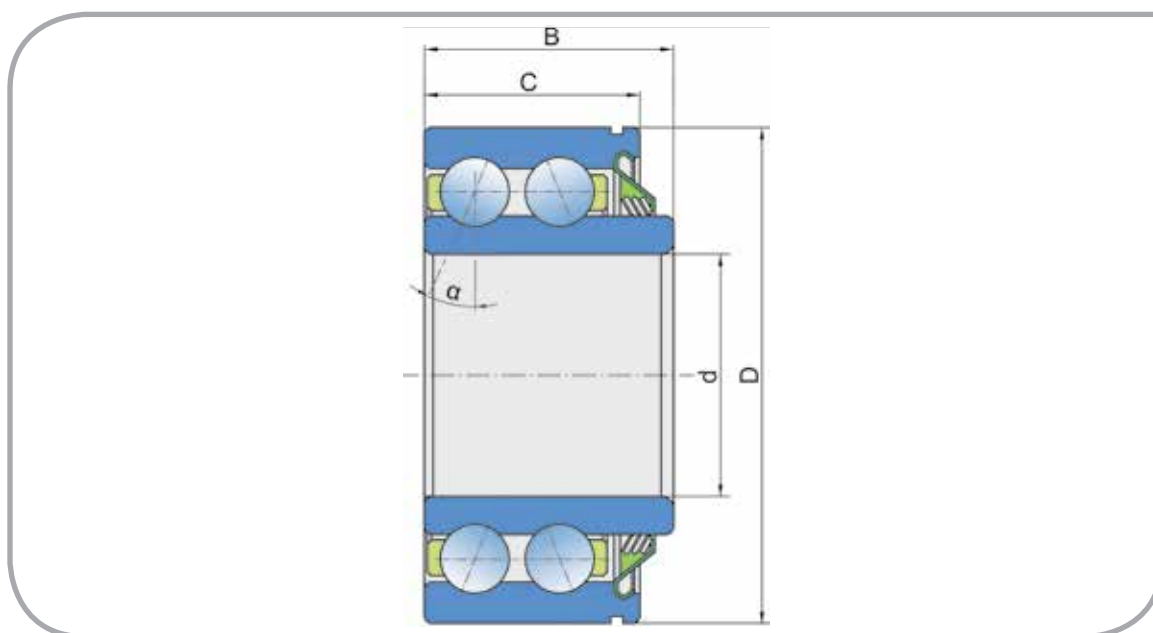
*Dvoredni kuglični ležaj sa kosim dodirom*

3204 T

## COMPARATIVE DESIGNATION

*UPOREDNE OZNAKE*

<b>FKL</b>	<b>3204 T</b>
FAG	F-110390
PFI	PF 110390
ROSTER	UNI01341
SEMEATO	9100-4109



Dimensions/Osnovne mere (mm)

d	D	B	C	$\alpha$	kg
20	47	25,2	22	25°	0,185

Typical Applications:

*Potencijalno mesto ugradnje i primena:*

Seeding Machine  
*Sejačica*

# Double Row Angular Contact Ball Bearing

## Dvoredni kuglični ležaj sa kosim dodirom

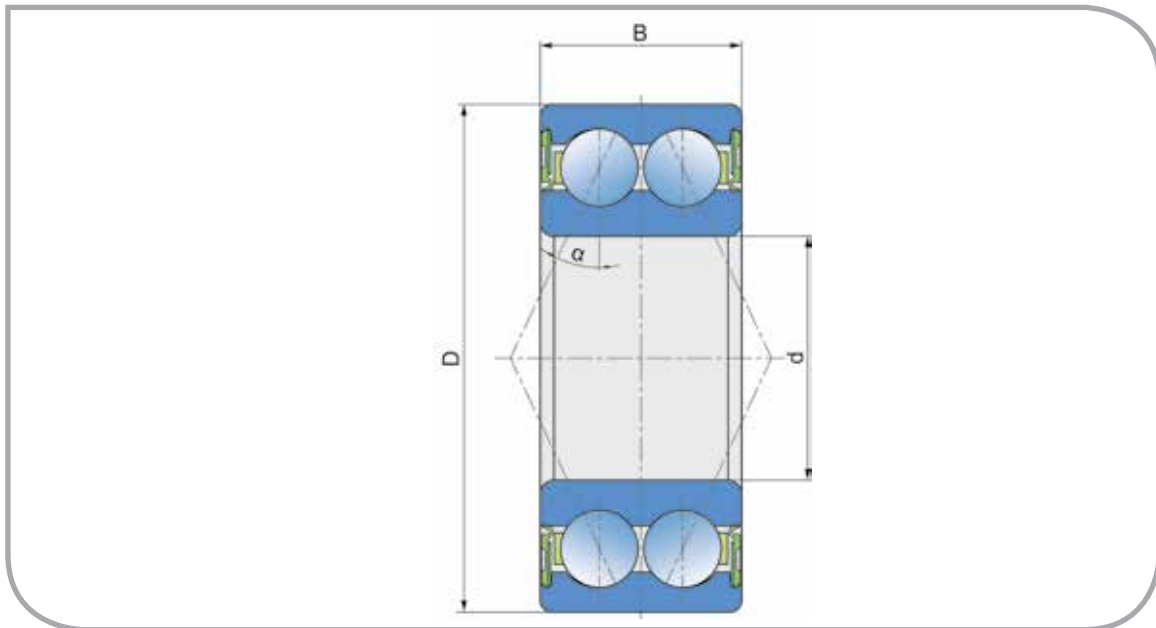


### 3205 B.2RS1



#### COMPARATIVE DESIGNATION UPOREDNE OZNAKE

FKL	3205 B.2RS1
FAG	3205 BD-2HRS-TVH
INA	3205-BD-XL-2HRS-TVH
JOHN DEERE	AZ64070
LEMKEN	3198708
SNR	5205 EEG15



#### Dimensions/Osnovne mere (mm)

d	D	B	$\alpha$	kg
25	52	20,6	25°	0,18

Seeding Machine  
Sejačica

Typical Applications:  
Potencijalno mesto ugradnje i primena:

Seeding Machine Solutions  
Ležajevi sejačice



# Double Row Angular Contact Ball Bearing

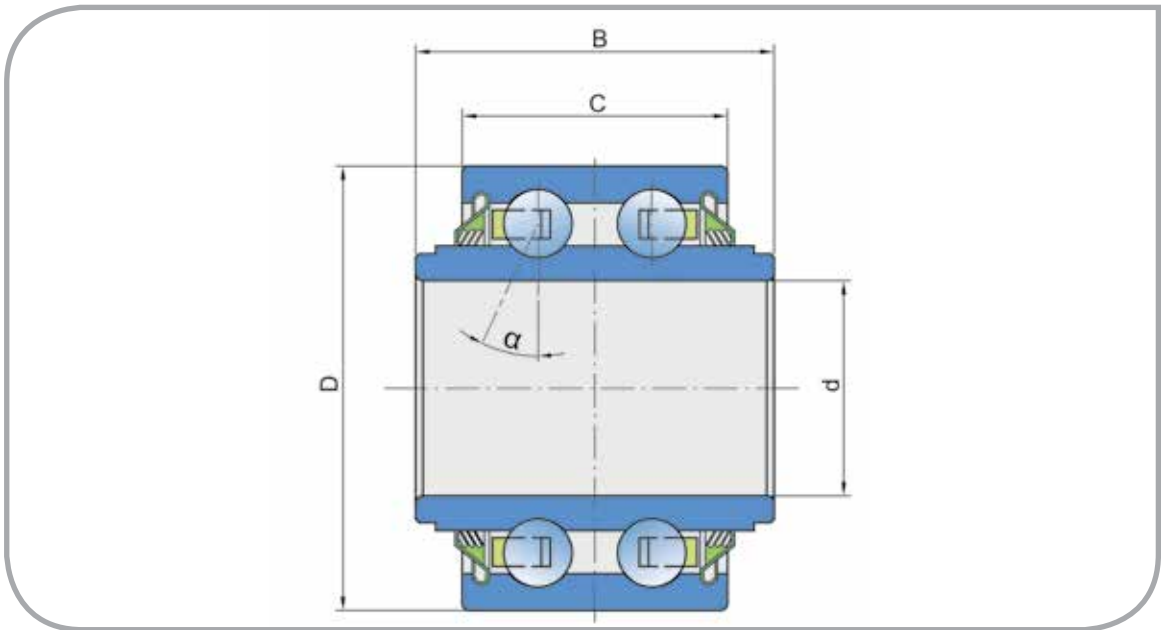
## Dvoredni kuglični ležaj sa kosim dodirom



5206 KPP3

### COMPARATIVE DESIGNATION UPOREDNE OZNAKE

FKL	5206 KPP3
FAFNIR	5206KPP3
GREAT PLAINS	822-215C
KINZE	GA8603 GA8641
PEER	5206KPP3



Dimensions/Osnovne mere (mm)

d	D	B	C	$\alpha$	kg
30,150	62	50	37	25°	0,500

#### Typical Applications:

Potencijalno mesto ugradnje i primena:

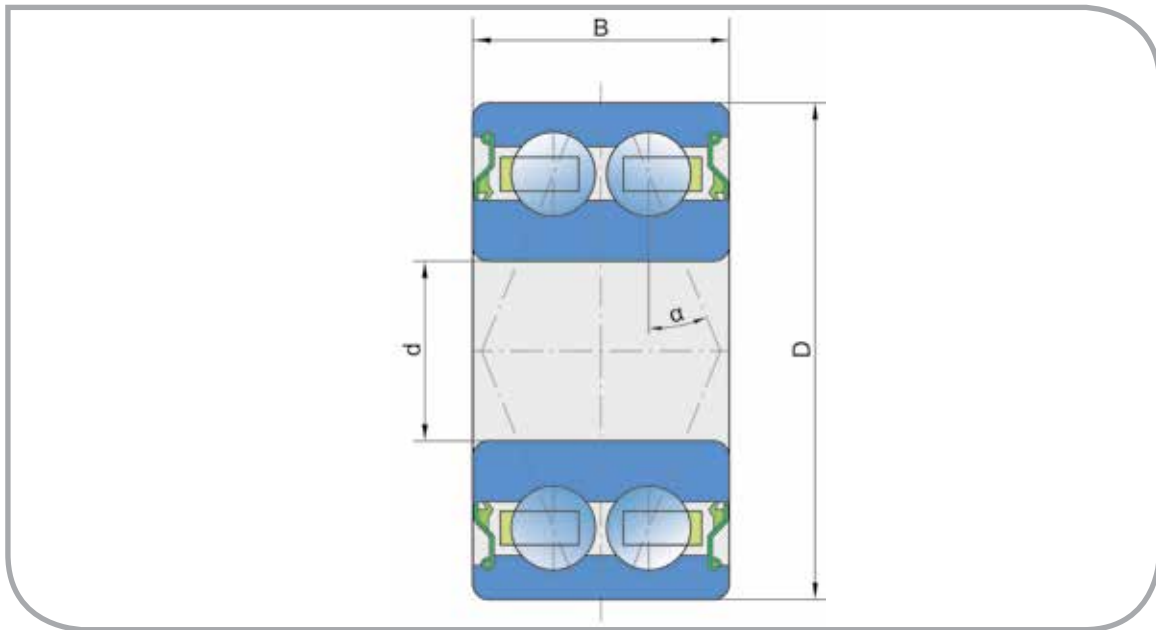
Seeding Machine  
Sejačica

# Double Row Angular Contact Ball Bearing

## Dvoredni kuglični ležaj sa kosim dodirom



SL 3303 2S



Dimensions/Osnovne mere (mm)

d	D	B	$\alpha$	kg
17	47	24,2	25°	0,20

Seeding Machine  
Sejačica

Typical Applications:  
Potencijalno mesto ugradnje i primena:

Seeding Machine Solutions  
Ležajevi sejačice

# Double Row Angular Contact Ball Bearing

*Dvoredni kuglični ležaj sa kosim dodirom*

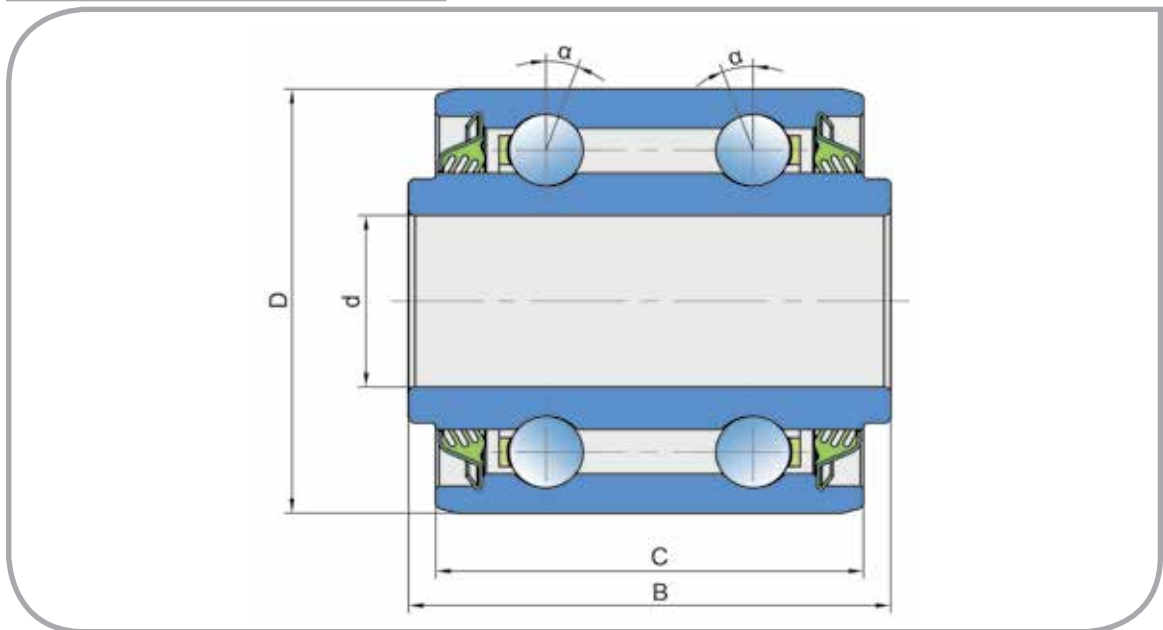
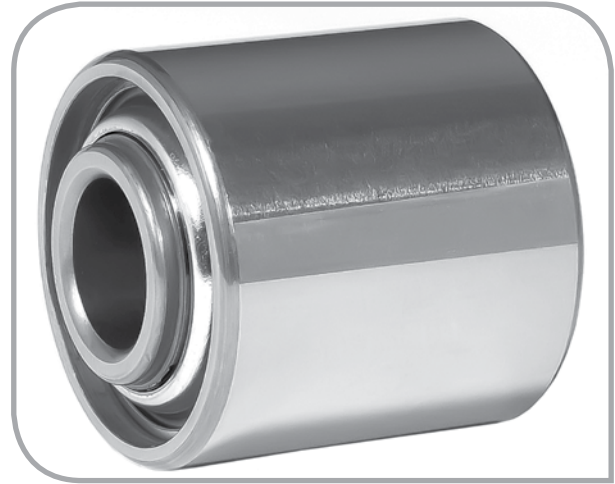


## COMPARATIVE DESIGNATION

### UPOREDNE OZNAKE

FKL	SL 5203 2T
BCA	5203VVAN
CASE	10161048; 306007A1; 324461A1
GASPARDO	F04100150R
GREAT PLAINS	822-170C
JOHN DEERE	AN212132
KINZE	GA6171; GA6615
KOYO	DAC164044-2RS
KRAUSE	40-156
KUHN	81101640
MONOSEM	7140A
MORRIS	2200-95
PEER	5203KPP2
SUNFLOWER	SL 5203 2T
TIMKEN	5203KYYZ
WHITE	854003

SL 5203 2T



Dimensions/Osnovne mere (mm)

d	D	B	C	α	kg
16,195	40	43,88	38,93	20°	0,218

### Typical Applications:

*Potencijalno mesto ugradnje i primena:*

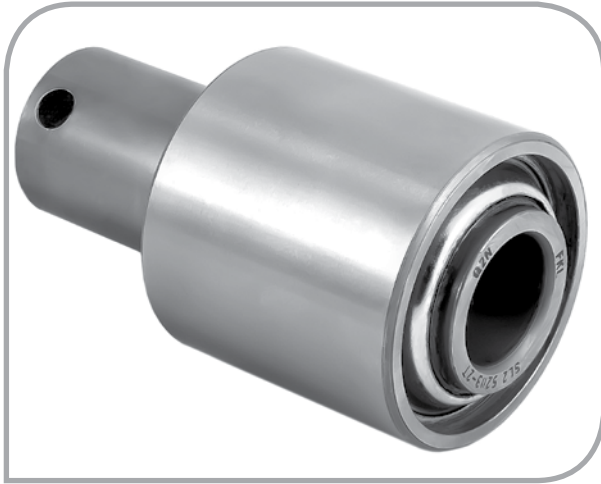
Seeding Machine  
Sejačica

# Double Row Angular Contact Ball Bearing

## Dvoredni kuglični ležaj sa kosim dodirom



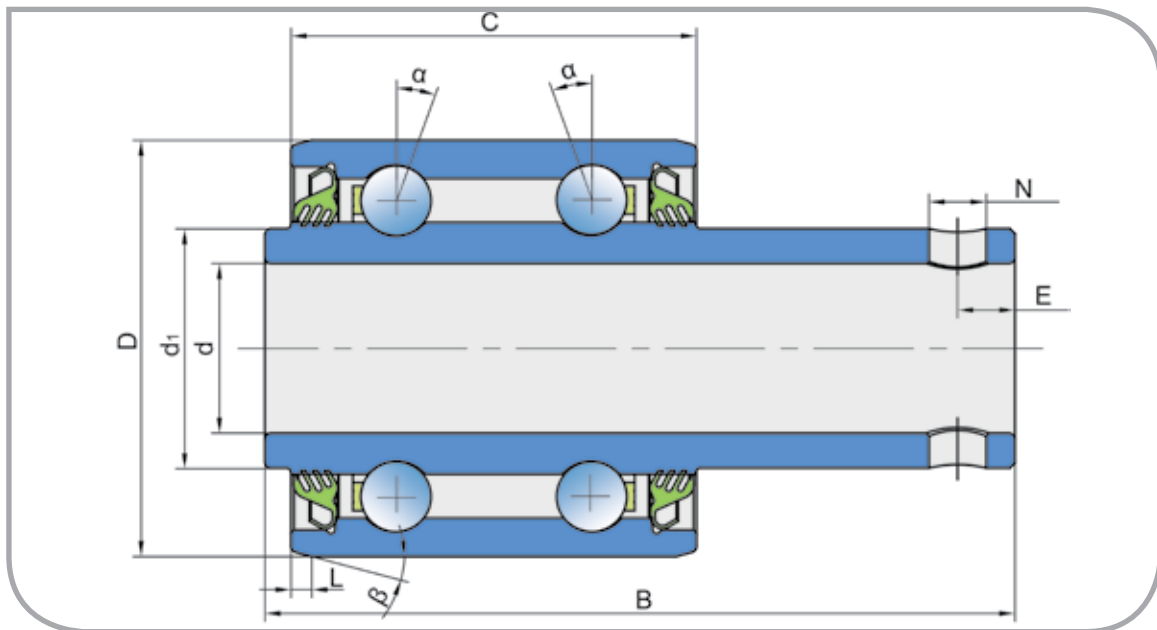
SL2 5203-2T



### COMPARATIVE DESIGNATION UPOREDNE OZNAKE

FKL	SL2 5203-2T
GASPARDO	F04100149

Seeding Machine Solutions  
Ležajevi sejačice



Dimensions/Osnovne mere (mm)

d	d <sub>1</sub>	D	B	C	N	E	L	$\alpha$	$\beta$	kg
16,3	23	40	72	38,93	5,5	5,5	2	20°	15°	0,267

### Typical Applications:

Potencijalno mesto ugradnje i primena:

Seeding Machine  
Sejačica



# Double Row Ball Bearing with Shaft

## Dvoredni kuglični ležaj sa osovnicom

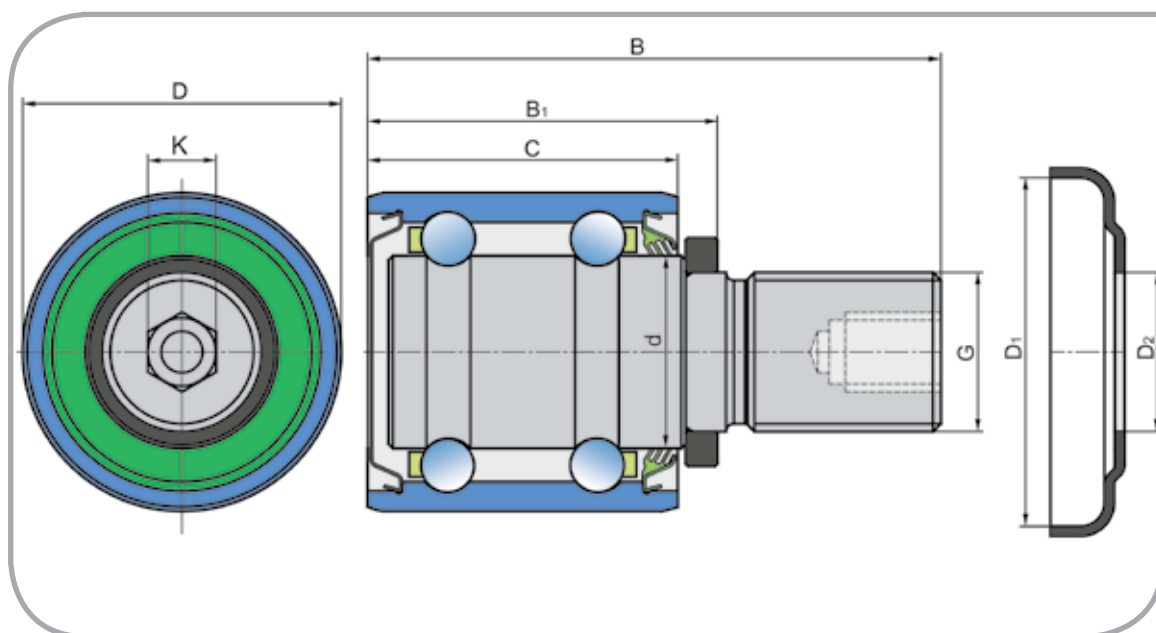
VP-M20x1.5/40/72-R (L)

### COMPARATIVE DESIGNATION

UPOREDNE OZNAKE

FKL VP-M20x1.5/40/72-R (L)

TEHNIKA-SERVICE, Russia VP-M20x1.5/40/72-R (L)



Dimensions/Osnovne mere (mm)

d	D	D <sub>1</sub>	D <sub>2</sub>	B	B <sub>1</sub>	C	G	K	α	kg
24,2	40	43,8	20,5	72	44	38,93	M20x1.5	10	20°	0,44

Typical Applications:

Potencijalno mesto ugradnje i primena:

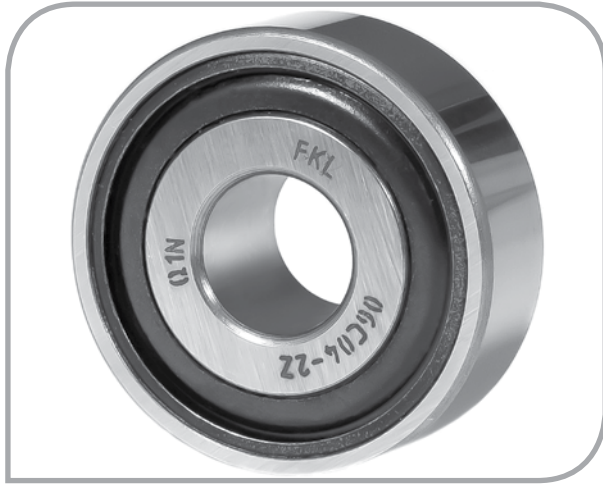
Seeding Machine  
Sejačica

# Four Point Contact Ball Bearing

Kuglični ležaj sa dodirom u četiri tačke



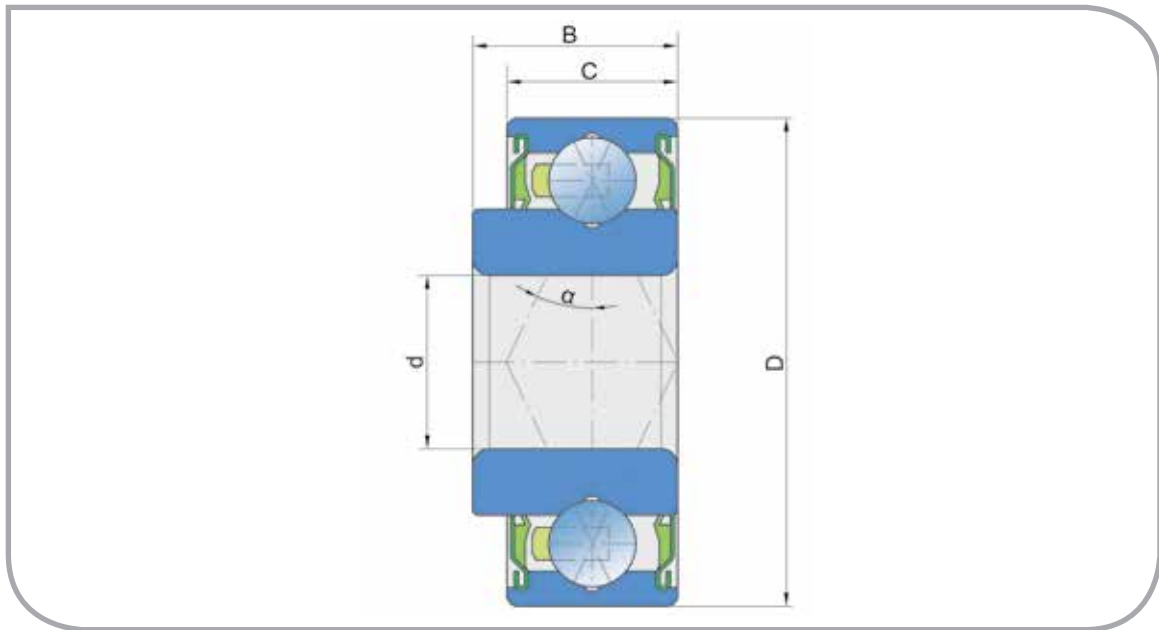
06C04-ZZ



## COMPARATIVE DESIGNATION

UPOREDNE OZNAKE

FKL	06C04-ZZ
CASE	1258017C91; 1268017C91; 145161C91; 492757R91; 493532R91
FAG	00240199
FAFNIR	204RY2
FITS TYPE	550-302
GREAT PLAINS	820-003C; 822-011C
HORSCH	00240199; 00509465
JOHN DEERE	AA21480
KINZE	GA2014
KRAUSE	40-138
NSK	F556129; QJ6204503LSLB-1
PEER	204JY3
SMA	851-SMA204RY2
SNR	204AGR; 204 XAGR
TIMKEN	204PY3



Dimensions/Osnovne mere (mm)

d	D	B	C	$\alpha$	kg
16	45,2	18,67	15,4	25°	0,23

Typical Applications:

Potencijalno mesto ugradnje i primena:

Seeding Machine  
Sejačica

Seeding Machine Solutions  
Ležajevi sejačice





# Four Point Contact Ball Bearing

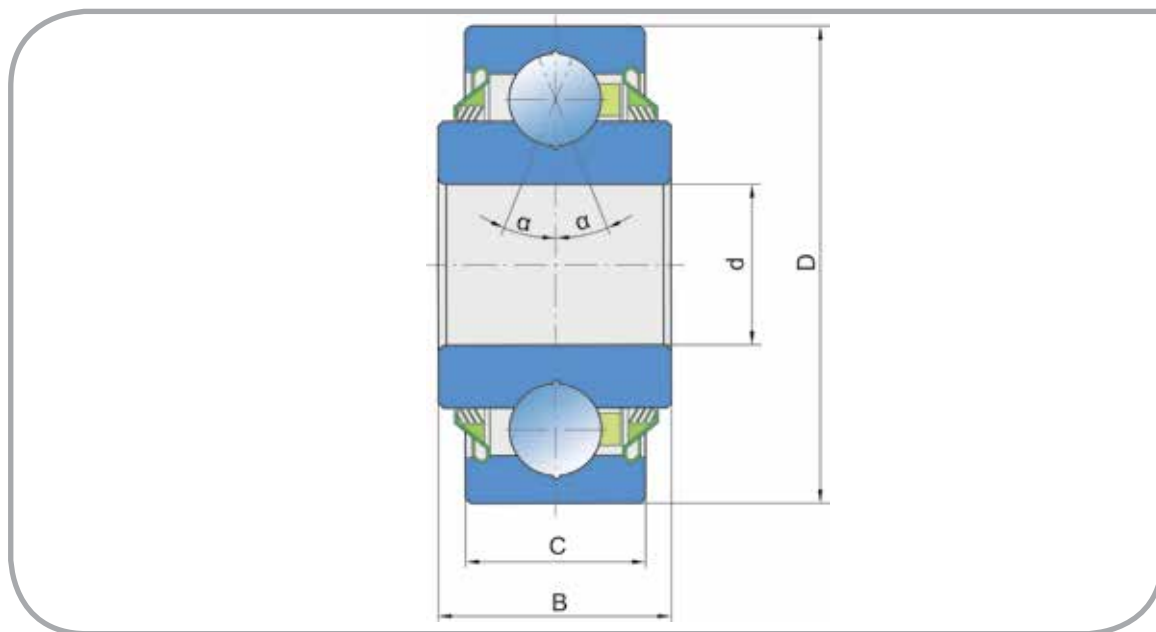
## Kuglični ležaj sa dodirom u četiri tačke

### Q 203PP.AH02

#### COMPARATIVE DESIGNATION

#### UPOREDNE OZNAKE

FKL	Q 203PP.AH02
CASE	2149261C91 666624R91
FAFNIR	BB203KRR2
IHC	2149261C91 666624R91
JOHN DEERE	AA281357 AA82881 AH63076 AN141120 AN142670 AN281357
MASSEY FERGUSON	832651M1
NTN	SX 0361LLCS41PX1/3AQ2
PEER	BB203KRR2 BB203KRR2FD



Dimensions/Osnovne mere (mm)

d	D	B	C	α	kg
16,256	40	18,29	12	25°	0,08

#### Typical Applications:

Potencijalno mesto ugradnje i primena:

Seeding Machine  
Sejačica

# Four Point Contact Ball Bearing

Kuglični ležaj sa dodirom u četiri tačke

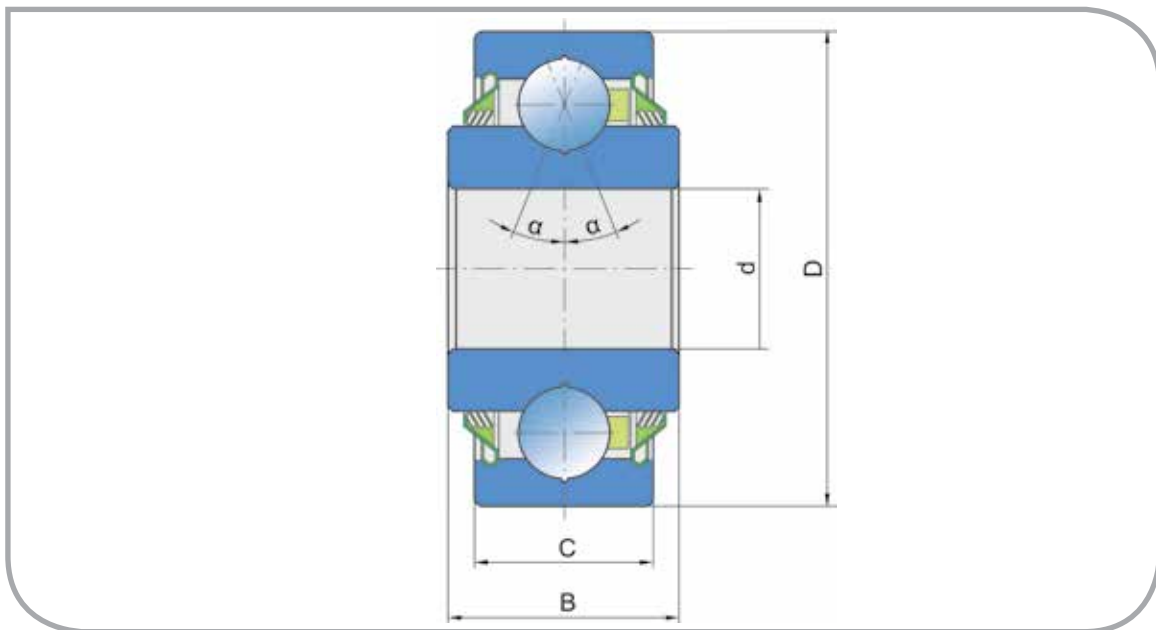


Q 203PP.AH05



## COMPARATIVE DESIGNATION UPOREDNE OZNAKE

FKL	Q 203PP.AH05
LEMKEN	3199369
PEER	BB203KRR5
TIMKEN	BB203KRR5



Dimensions/Osnovne mere (mm)

d	D	B	C	$\alpha$	kg
13,081	40	18,29	12	25°	0,091

Seeding Machine  
Sejačica

Typical Applications:  
Potencijalno mesto ugradnje i primena:

Seeding Machine Solutions  
Ležajevi sejačice



# Four Point Contact Ball Bearing

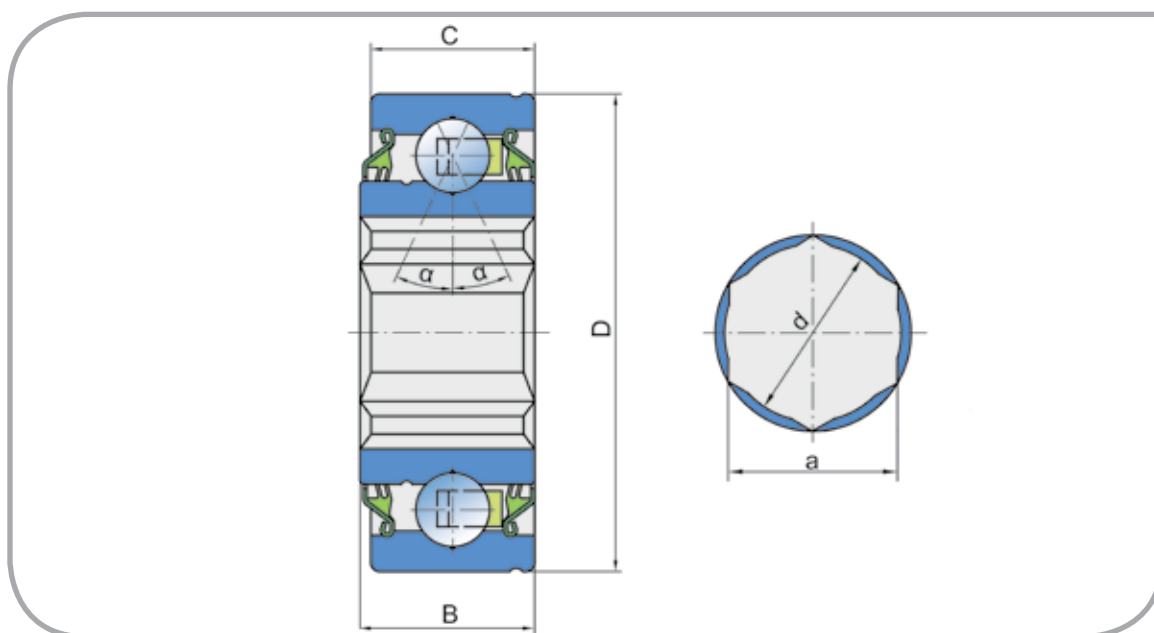
## Kuglični ležaj sa dodirom u četiri tačke

SL 53-014-2T

### COMPARATIVE DESIGNATION

UPOREDNE OZNAKE

FKL	SL 53-014-2T
GREAT PLAINS	188-006V



Dimensions/Osnovne mere (mm)

a	d	D	B	C	$\alpha$	kg
22,25	22,80	53,086	19,40	18,288	25°	0,174

#### Typical Applications:

Potencijalno mesto ugradnje i primena:

Seeding Machine  
Sejačica

# Four Point Contact Ball Bearing

*Kuglični ležaj sa dodirom u četiri tačke*

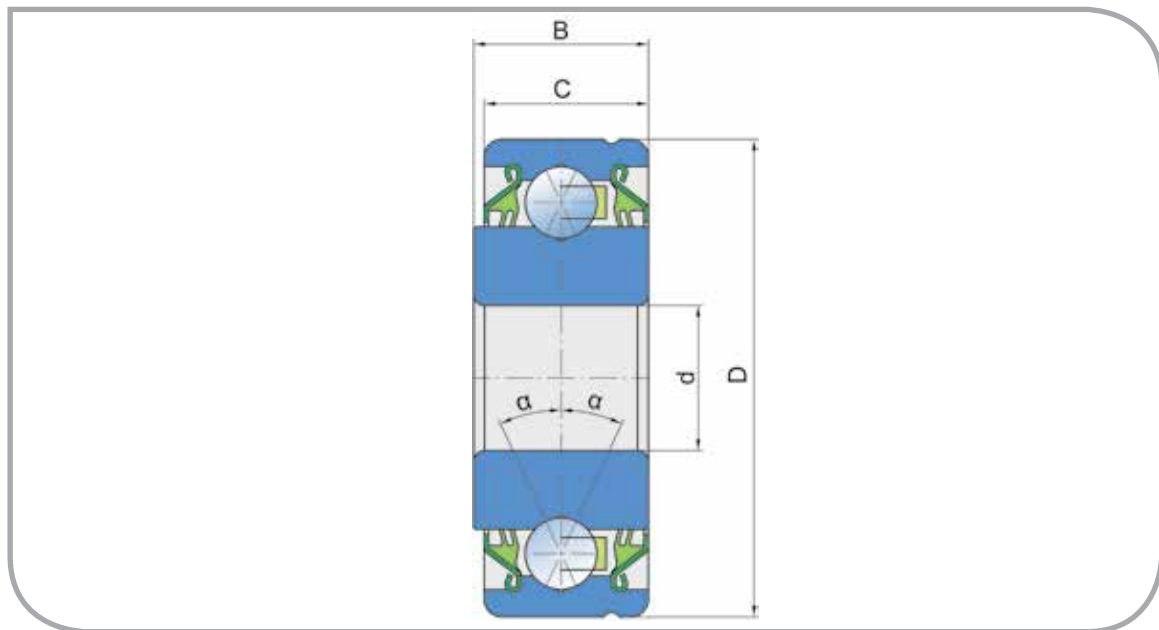


SL 5316 2T



## COMPARATIVE DESIGNATION UPOREDNE OZNAKE

FKL	SL 5316 2T
BCA	205VVH
CHINA	205GP
FAFNIR	205DDS-5/8 AA205DD
GREAT PLAINS	188-001V
KRAUSE	40-172



Dimensions/Osnovne mere (mm)

d	D	B	C	$\alpha$	kg
16	53,086	19,4	18,288	25°	0,28

Typical Applications:

*Potencijalno mesto ugradnje i primena:*

Seeding Machine  
*Sejačica*

Seeding Machine Solutions  
*Ležajevi sejačice*



# Four Point Contact Ball Bearing

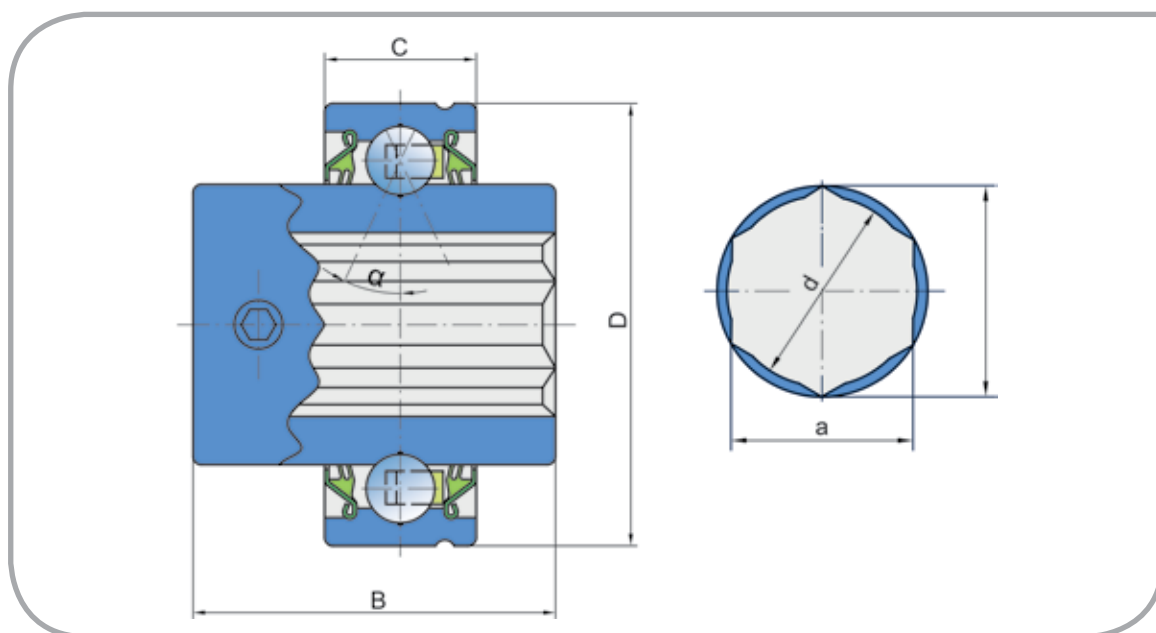
## Kuglični ležaj sa dodirom u četiri tačke

SLE 53-012-2T

### COMPARATIVE DESIGNATION

UPOREDNE OZNAKE

FKL	SLE 53-012-2T
GREAT PLAINS	188-009V



Dimensions/Osnovne mere (mm)

a	d	D	B	C	$\alpha$	kg
19,18	19,6	53,086	43,5	18,288	25°	0,299

### Typical Applications:

Potencijalno mesto ugradnje i primena:

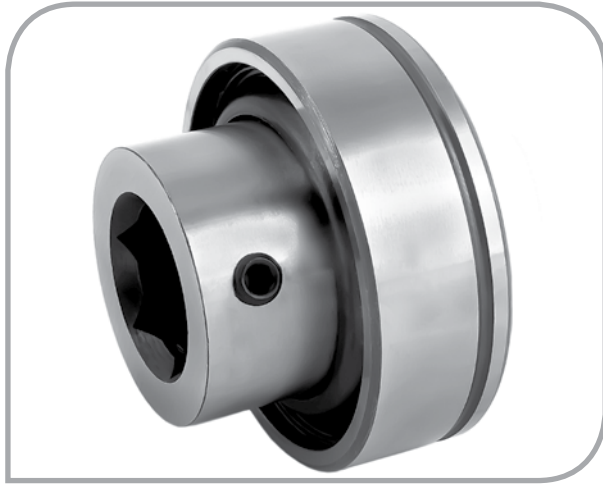
Seeding Machine  
Sejačica

# Four Point Contact Ball Bearing

*Kuglični ležaj sa dodirom u četiri tačke*



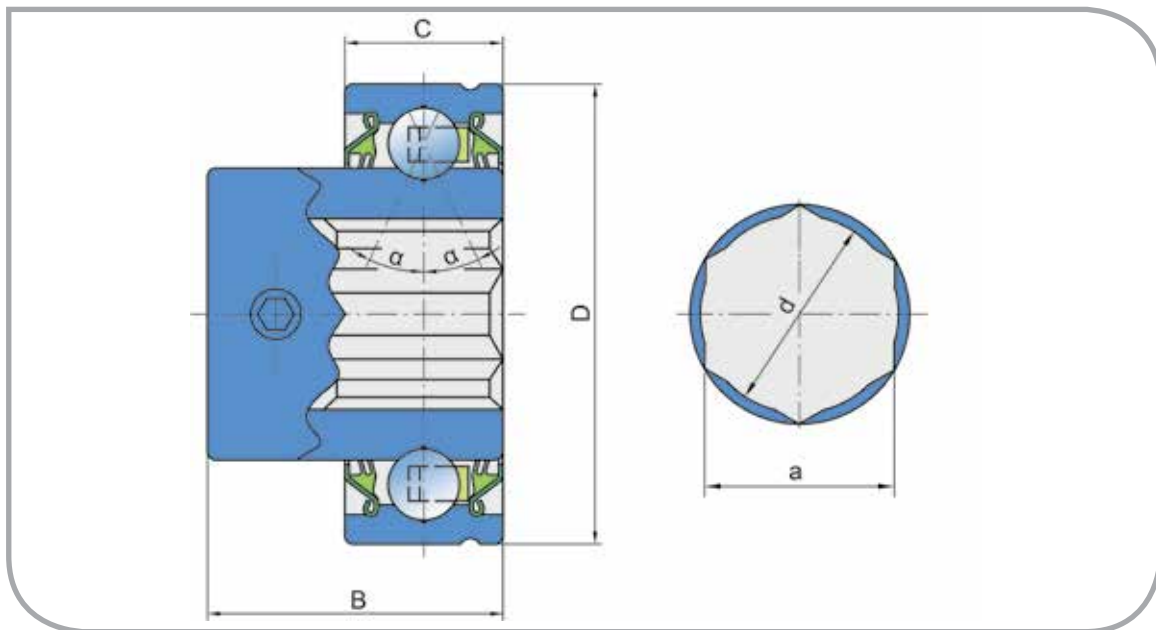
SLU 53-012-2T



## COMPARATIVE DESIGNATION UPOREDNE OZNAKE

FKL	SLU 53-012-2T
GREAT PLAINS	188-004V

Seeding Machine Solutions  
Ležajevi sejačice



Dimensions/Osnovne mere (mm)

a	d	D	B	C	α	kg
19,18	19,6	53,086	34,2	18,288	25°	0,257

Typical Applications:

*Potencijalno mesto ugradnje i primena:*

Seeding Machine  
*Sejačica*





# Ball Bearing

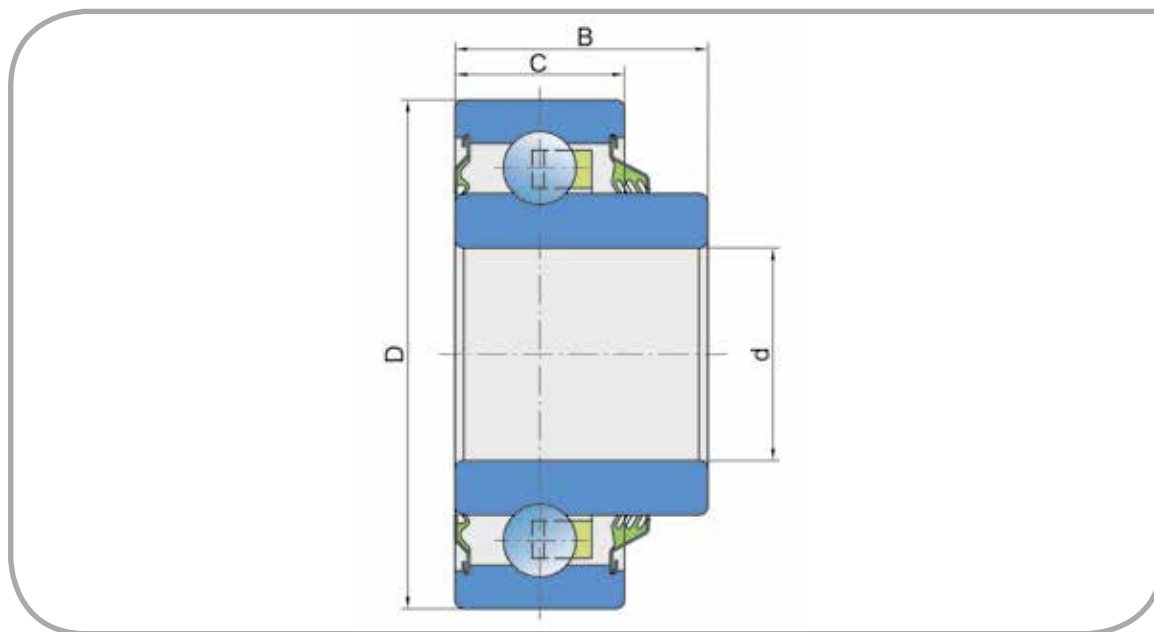
## Kuglični ležaj

205KRP2

### COMPARATIVE DESIGNATION

#### UPOREDNE OZNAKE

FKL	205KRP2
BCA	205RVA
CASE	1337998C1
FAFNIR	205KRP2
INA	205KRP2
JOHN DEERE	A27002 B30418
MARLISS	702020
NTN	SBX05A55
SUNFLOWER	SNDR30005
TIMKEN	205RRAN



Dimensions/Osnovne mere (mm)

d	D	B	C	kg
19,202	52	21,1	15	0,28

#### Typical Applications:

Potencijalno mesto ugradnje i primena:

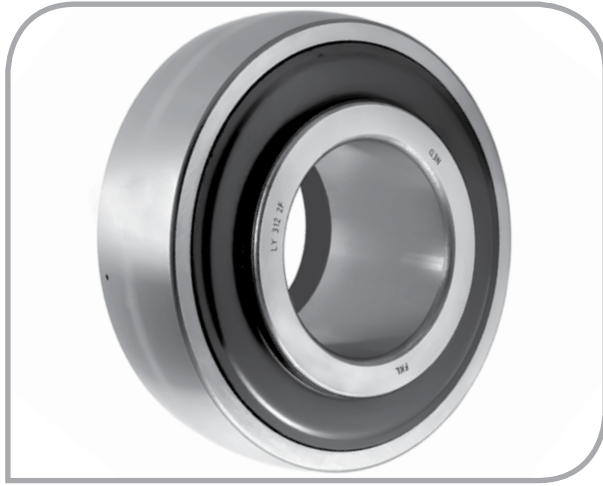
Seeding Machine  
Sejačica

# Ball Bearing

## Kuglični ležaj



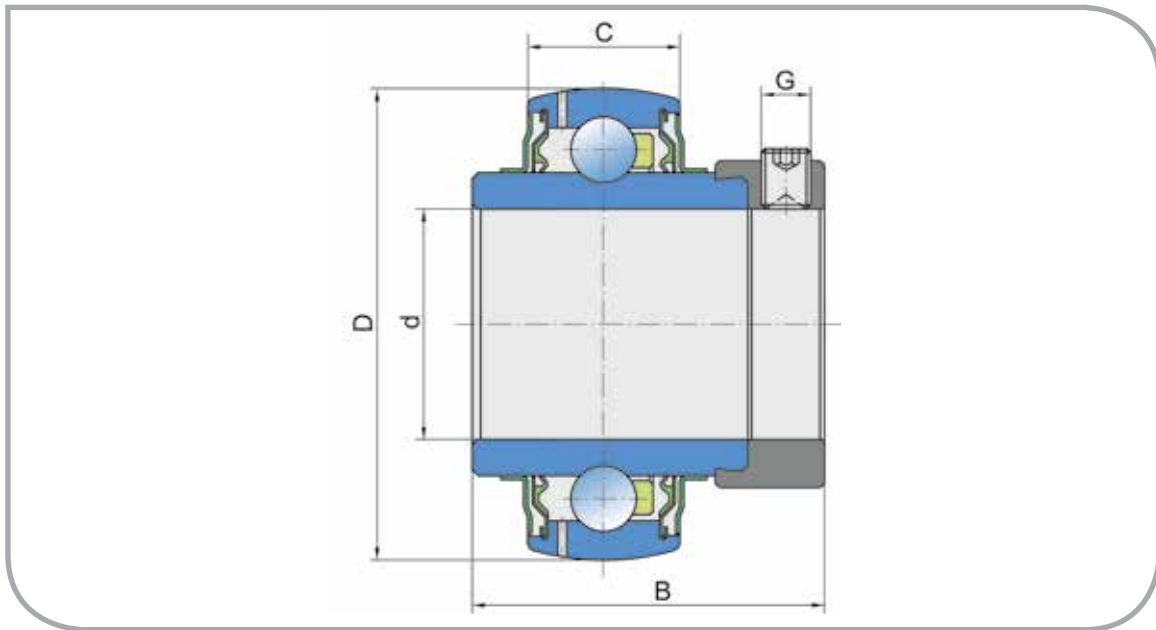
LY 312 2F



### COMPARATIVE DESIGNATION

#### UPOREDNE OZNAKE

FKL	LY 312 2F
HORSCH	00240039
INA	GNE60KRRB
SNR	EX 312 G2



Dimensions/Osnovne mere (mm)

d	D	B	C	G	kg
60	130	68,4	33	10x1	2,97

Seeding Machine  
Sejačica

Typical Applications:  
Potencijalno mesto ugradnje i primena:

Seeding Machine Solutions  
Ležajevi sejačice



# Ball Bearing

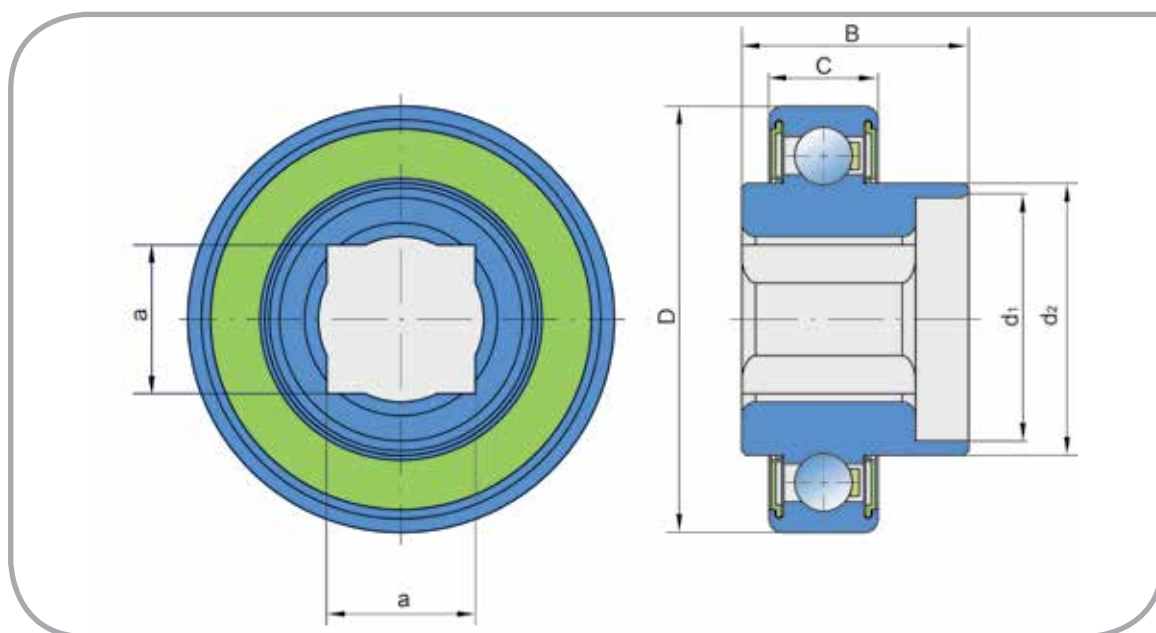
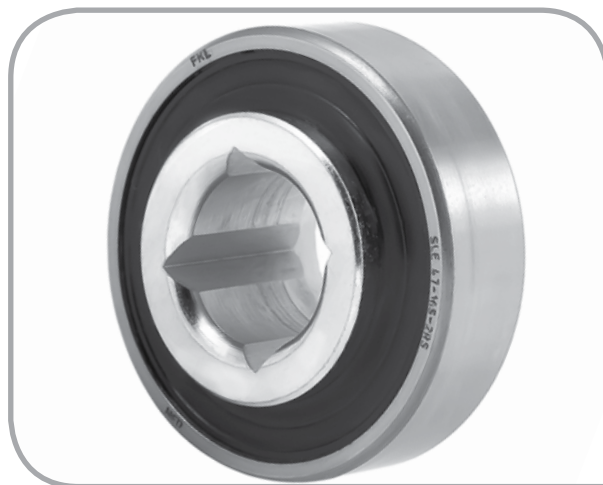
## Kuglični ležaj

### SLE 47-16S-2RS

#### COMPARATIVE DESIGNATION

#### UPOREDNE OZNAKE

FKL	SLE 47-16S-2RS
GASPARDO	G14830390



Dimensions/Osnovne mere (mm)

a	d <sub>1</sub>	d <sub>2</sub>	D	B	C	kg
16,4	26,8	30	47	25	12	0,11

#### Typical Applications:

Potencijalno mesto ugradnje i primena:

Seeding Machine  
Sejačica

# Ball Bearing

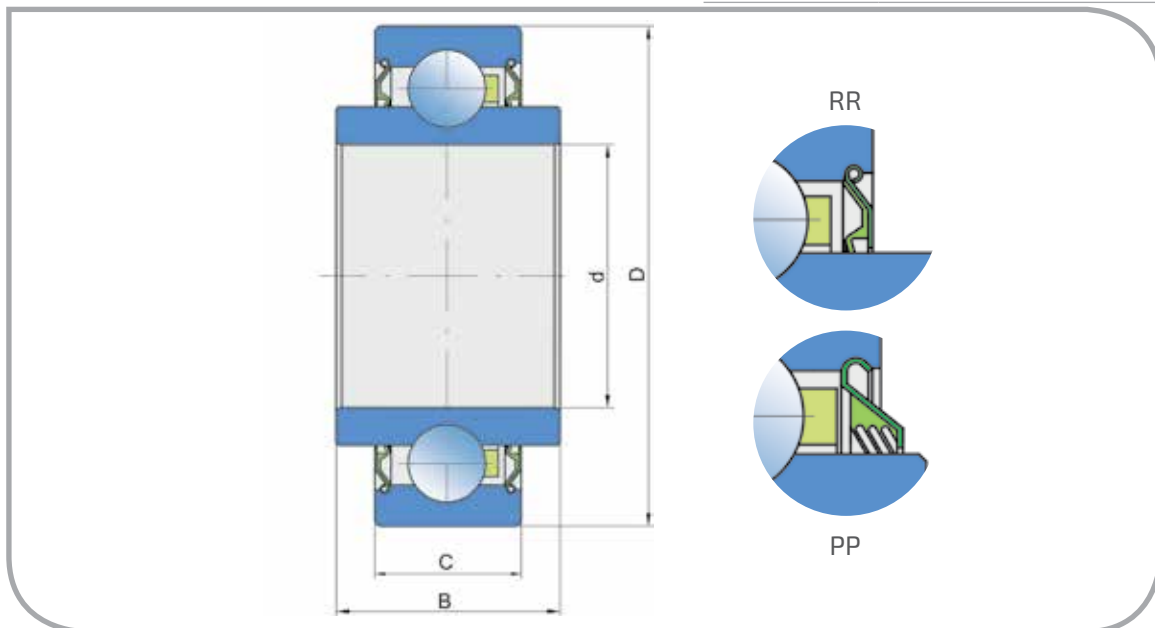
## Kuglični ležaj

203KRR.AH02  
203KPP.AH02



### COMPARATIVE DESIGNATION UPOREDNE OZNAKE

FKL	203KRR.AH02 203KPP.AH02
BCA	203RRAR10
CASE	149261C91; F16246
FAFNIR	203KRR2
FAG	518855
FORD	222279
GEHL	520117
GREAT PLAINS	822-095C
IHC	666624R91
INA	203-XL-KRR-AH02
JOHN DEERE	AA82881; AN100425; AN142670; AN281357; JD 9214
LINK BELT	126115
NEW HOLLAND	66553
NTN	23RRAR10; SX0361LLCS13
PEER	203KRR2



### Dimensions/Osnovne mere (mm)

d	D	B	C	kg
16,26	40	18,29	12	0,07

Typical Applications:  
Potencijalno mesto ugradnje i primena:

Seeding Machine/Sejačica  
Sprockets/Lančanici

Note/Napomena  
The bearing with triple lip sealing is also available/  
Ležaj je dostupan i sa trousnim zaptivanjem



# Ball Bearing

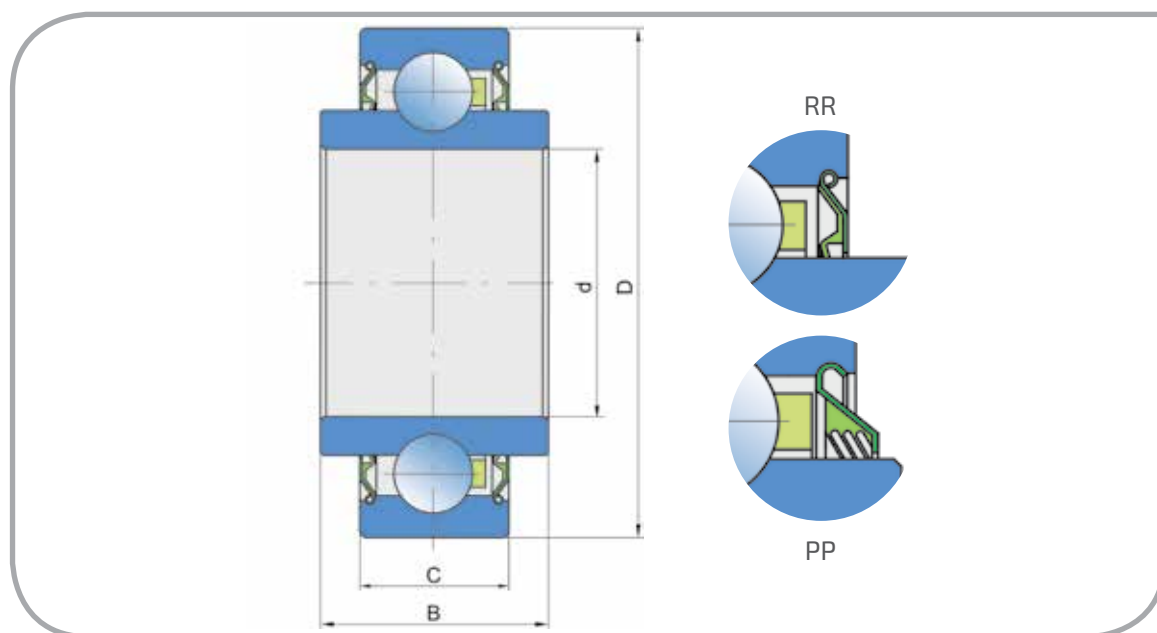
## Kuglični ležaj

203KRR.AH05  
203KPP.AH05

### COMPARATIVE DESIGNATION

#### UPOREDNE OZNAKE

FKL	203KRR.AH05 203KPP.AH05
AC	562134
BCA	203RRAR8
FAFNIR	203KRR5
IHC	107095C91; 611928R91
INA	203-XL-KRR-AH05
JOHN DEERE	JD10008; JD9295
LEMKEN	3198563; 3198702
NTN	SX0153LCS13PX1
TIMKEN	203KRR5
TYE	522-20SP



#### Dimensions/Osnovne mere (mm)

d	D	B	C	kg
13	40	18,29	12	0,09

#### Typical Applications:

Potencijalno mesto ugradnje i primena:

Seeding Machine/Sejačica  
Sprockets/Lančanic

#### Note/Napomena

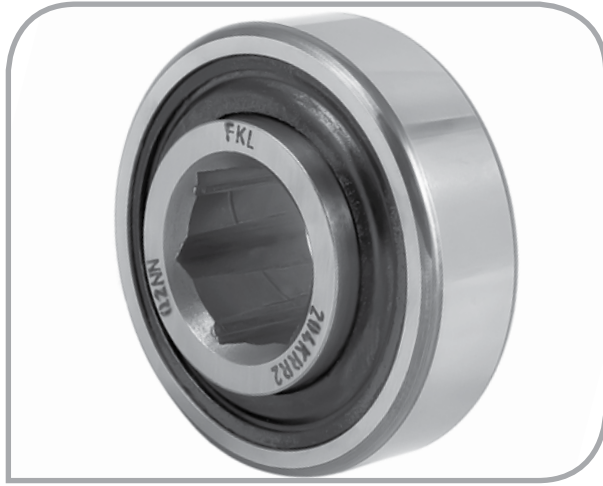
The bearing with triple lip sealing is also available/  
Ležaj je dostupan i sa trousnim zaptivanjem

# Ball Bearing

## Kuglični ležaj

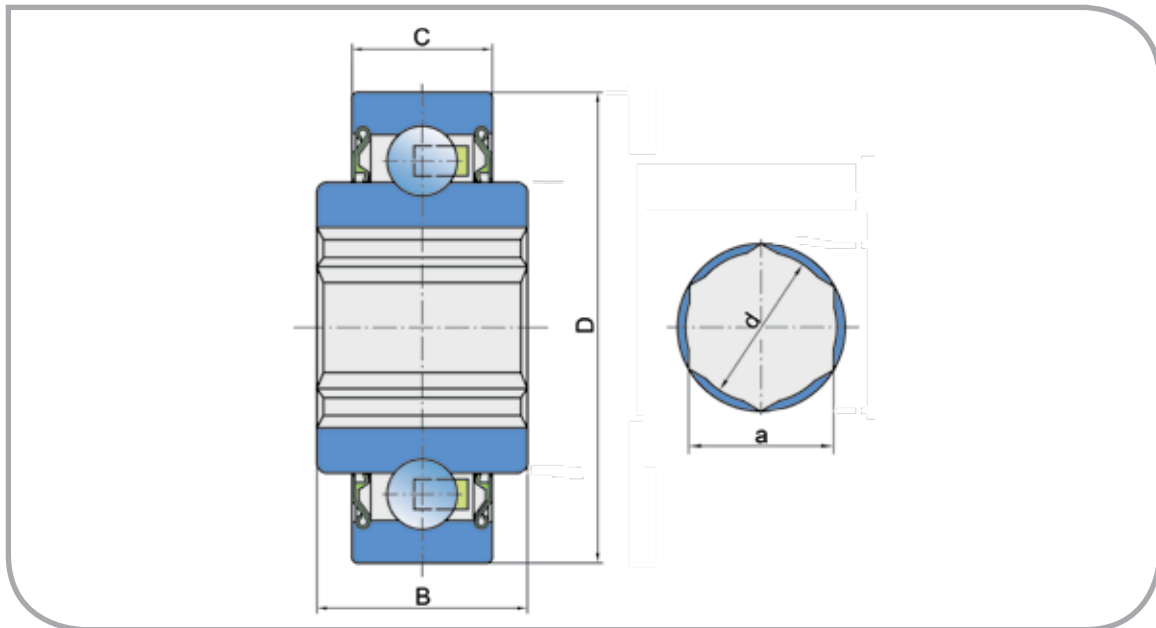


### 204KRR2



#### COMPARATIVE DESIGNATION UPOREDNE OZNAKE

FKL	204KRR2
BCA	HPC011GP
CASE	592141R91
FAFNIR	204KRR2; AH107148
INA	204KRR2
JOHN DEERE	JD7126; AXE10322
KOYO	88120A
LAND PRIDE	822-173C
LINK BELT	11KB204N
MASSEY FERGUSON	PS01102
NDH	1AH04-11/16
NTN	1AH04-11/16 1AH04-11/16LLM
PEER	204KRR2
TIMKEN	204KRR2



Dimensions/Osnovne mere (mm)

a	d	D	B	C	kg
17,65	18,2	47	20,96	14	0,145

Seeding Machine  
Sejačica

Typical Applications:  
Potencijalno mesto ugradnje i primena:

Seeding Machine Solutions  
Ležajevi sejačice





# Ball Bearing

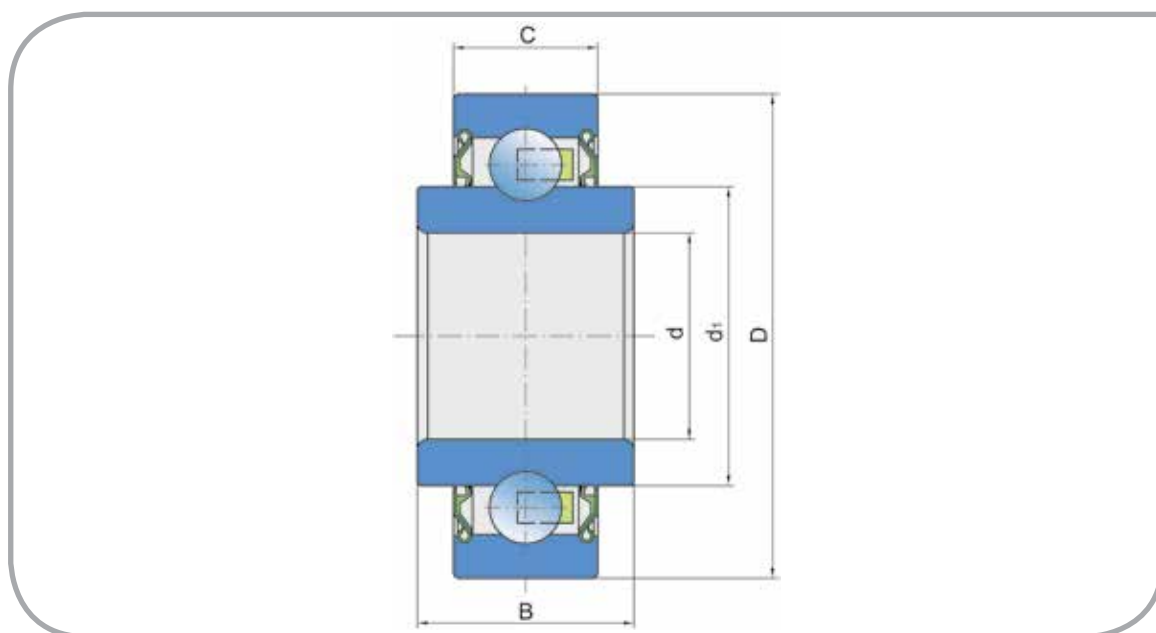
## Kuglični ležaj

### 204KRR

#### COMPARATIVE DESIGNATION

#### UPOREDNE OZNAKE

<b>FKL</b>	<b>204KRR</b>
FAFNIR	204KRR
INA/FAG	204-XL-KRR
KVERNELAND	AC671872



Dimensions/Osnovne mere (mm)

d	d <sub>1</sub>	D	B	C	kg
20	28,2	47	17,7	14	0,12

#### Typical Applications:

Potencijalno mesto ugradnje i primena:

Seeding Machine  
Sejačica

# Ball Bearing

## Kuglični ležaj

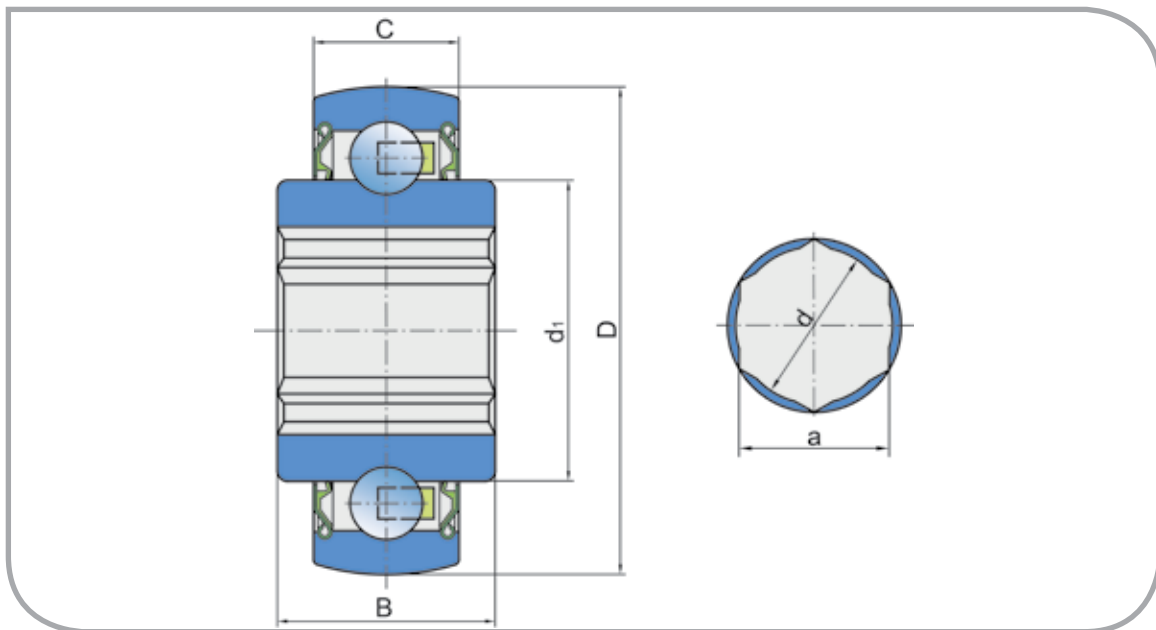


### 204KRRB2



#### COMPARATIVE DESIGNATION UPOREDNE OZNAKE

FKL	204KRRB2
BCA	HPS011GP
FAFNIR	204KRRB2
GREAT PLAINS	A-HPS011GP
INA	204KRRB2
LINK BELT	11K204N
PEER	204KRRB2



Dimensions/Osnovne mere (mm)

a	d	d <sub>1</sub>	D	B	C	kg
17,65	18,2	28,2	47	20,96	14	0,145

Seeding Machine  
Sejačica

Typical Applications:  
Potencijalno mesto ugradnje i primena:

Seeding Machine Solutions  
Ležajevi sejačice



# Ball Bearing

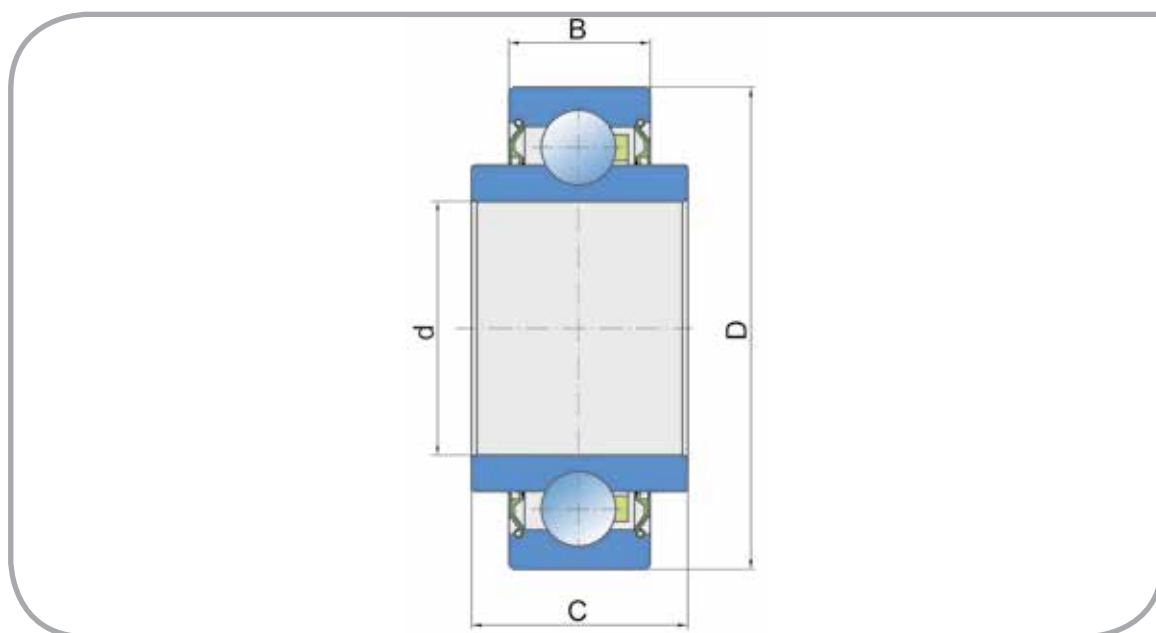
## Kuglični ležaj

203KRR

### COMPARATIVE DESIGNATION

#### UPOREDNE OZNAKE

FKL	203KRR
INA	203-XL-KRR



Dimensions/Osnovne mere (mm)

d	D	B	C	kg
17	40	12	18,3	0,09

#### Typical Applications:

Potencijalno mesto ugradnje i primena:

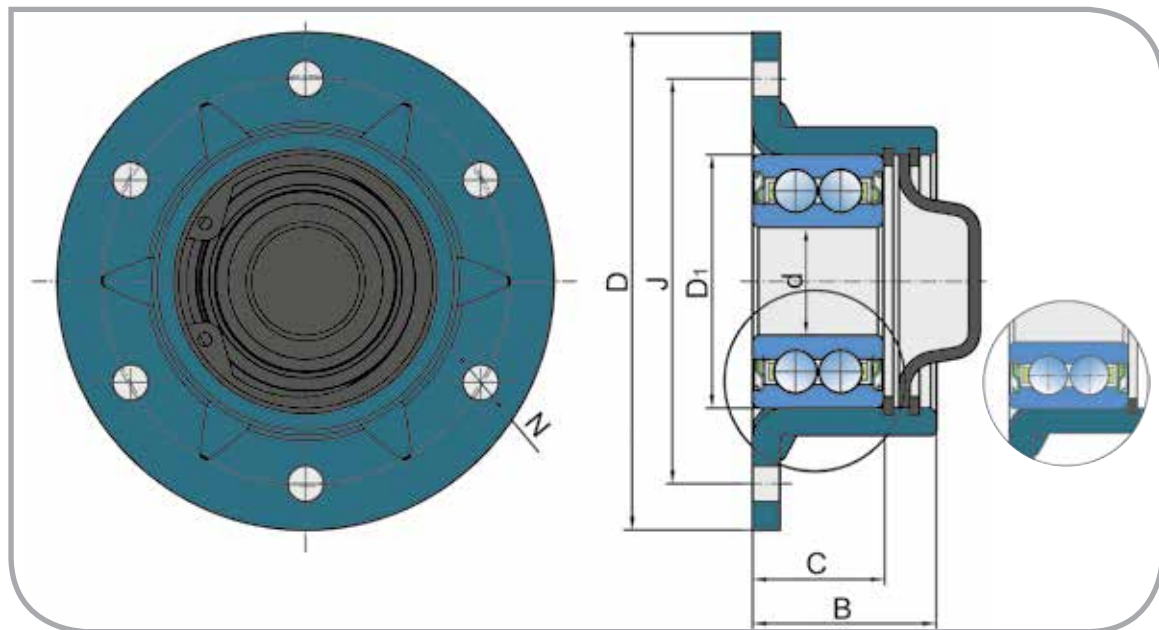
Seeding Machine  
Sejačica

# Bearing Unit

## Ležajna jedinica



PL-7517/7520



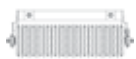
Dimensions/Osnovne mere (mm)

Designation/Oznaka	d	D	D <sub>1</sub>	J	N	B	C	kg
PL-7517	17	92	47	75	6,7H12	34	24	0,56
PL-7520	20	92	47	75	6,7H12	34	24	0,56

Seeding Machine  
Sejačica

Typical Applications:  
Potencijalno mesto ugradnje i primena:

Seeding Machine Solutions  
Ležajevi sejačice



# Bearing Unit

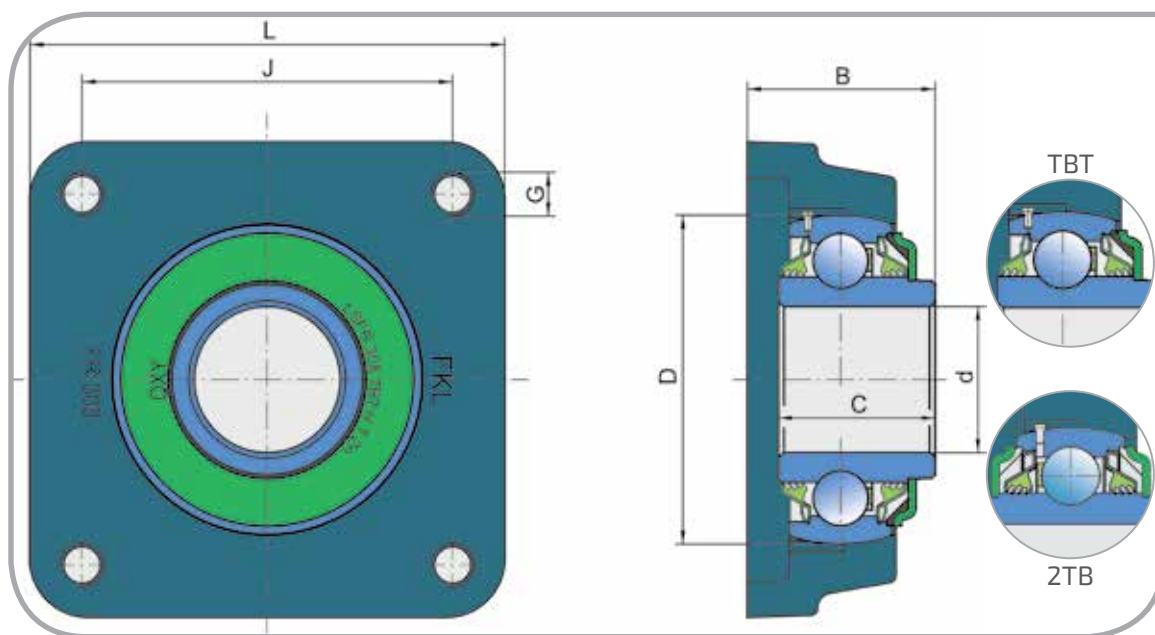
## Ležajna jedinica

LSFR 308 TBT.H.T.Zn  
 LSFR 308 2TB.H.T.Zn

### COMPARATIVE DESIGNATION

UPOREDNE OZNAKE

FKL	LSFR 308 TBT.H.T.Zn LSFR 308 2TB.H.T.Zn
HORSCH	00240028
INA	TCJ 40
SNR	UCFE 308 A02X3 UCFE 308 A05AGR



### Dimensions/Osnovne mere (mm)

Designation/Oznaka	d	D	L	J	G	B	C	kg
LSFR 308 TBT.H.T.Zn	40	90	130	101,5	M12	51,4	42,9	2,40
LSFR 308 2TB.H.T.Zn	40	90	130	101,5	∅13	46,4	45,8	2,60

### Typical Applications:

Potencijalno mesto ugradnje i primena:

Packer Roller  
 Cambridge valjak

# Bearing Unit

## Ležajna jedinica

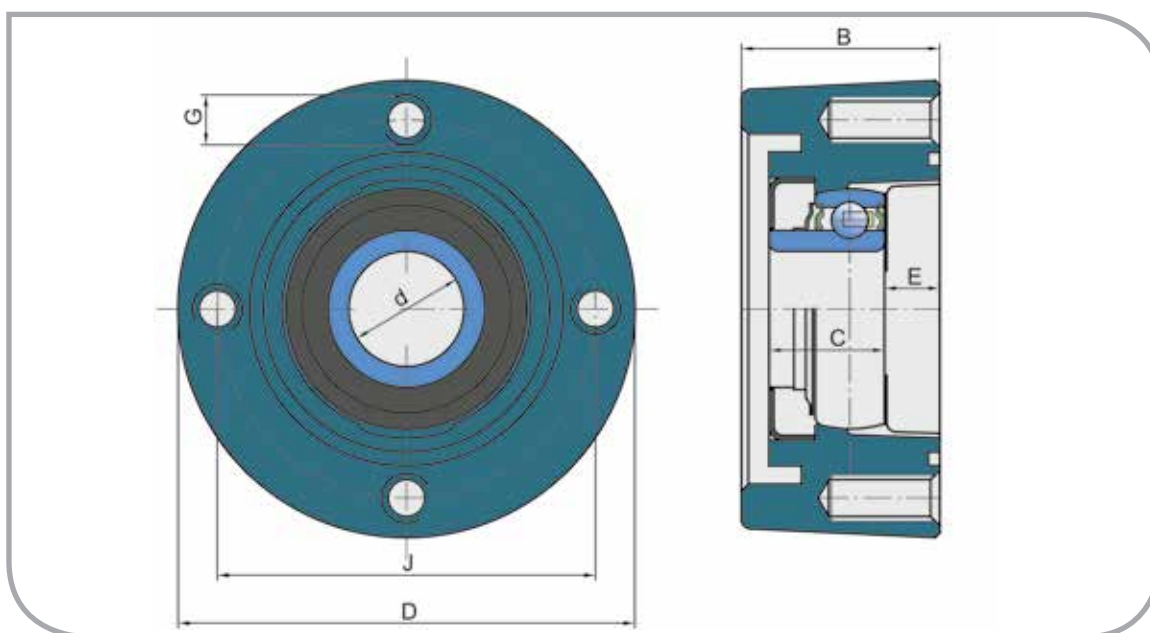


### LSGR 205 FS



#### COMPARATIVE DESIGNATION UPOREDNE OZNAKE

FKL	LSGR 205 FS
INA	F-239975-0200 RCJT 25x400x43 GGG
LEMKEN	3199371



Dimensions/Osnovne mere (mm)

d	D	J	B	E	C	G	kg
25	99	82	43	12	25	10	1,55

Packer Roller  
Cambridge valjak

Typical Applications:  
Potencijalno mesto ugradnje i primena:





# Bearing Unit

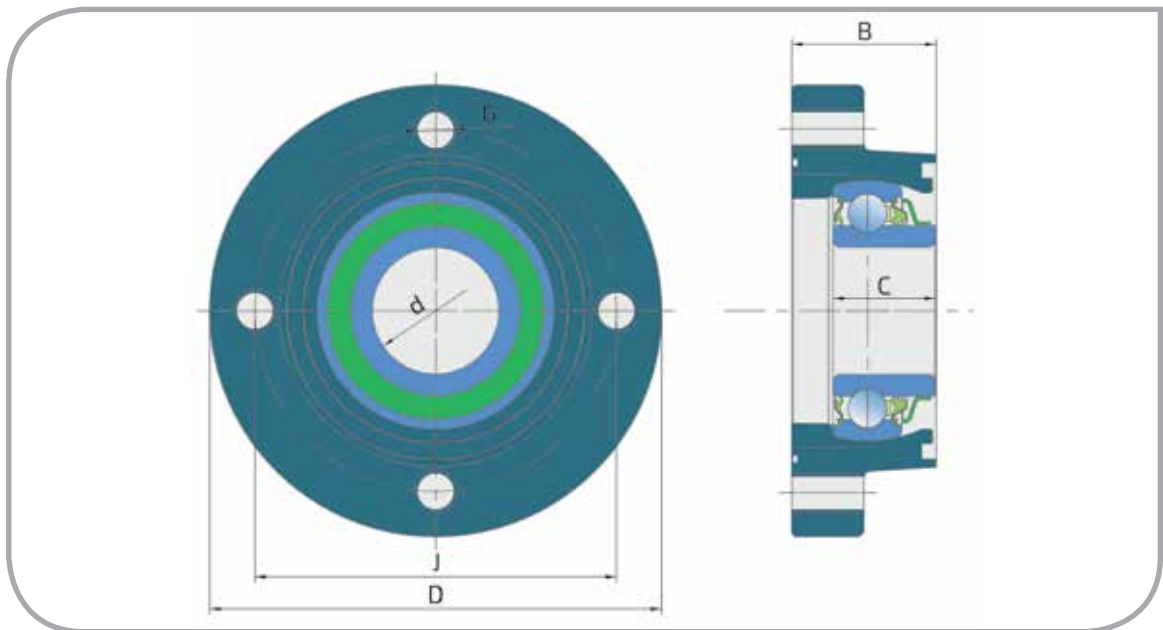
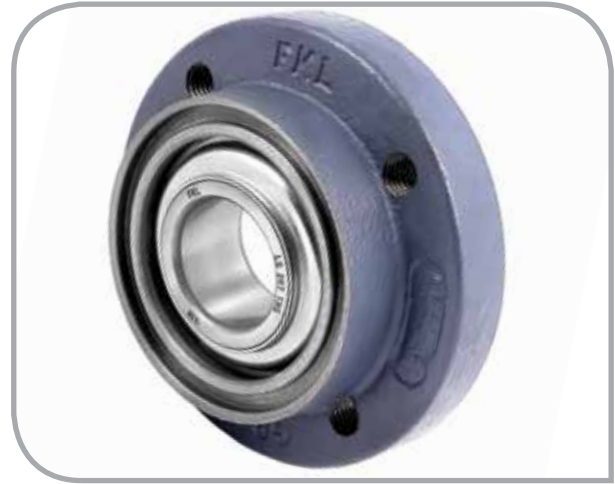
## Ležajna jedinica

### LSGR 207 TBS

#### COMPARATIVE DESIGNATION

#### UPOREDNE OZNAKE

FKL	LSGR 207 TBS
INA	F-232812-0200 F-232812-0200IBBU RCJ 35x118x39.9
LEMKEN	3199372



Dimensions/Osnovne mere (mm)

d	D	J	B	C	G	kg
35	125	100	40	28,3	10	1,70

#### Typical Applications:

Potencijalno mesto ugradnje i primena:

Packer Roller  
Cambridge valjak

# Bearing Unit

## Ležajna jedinica



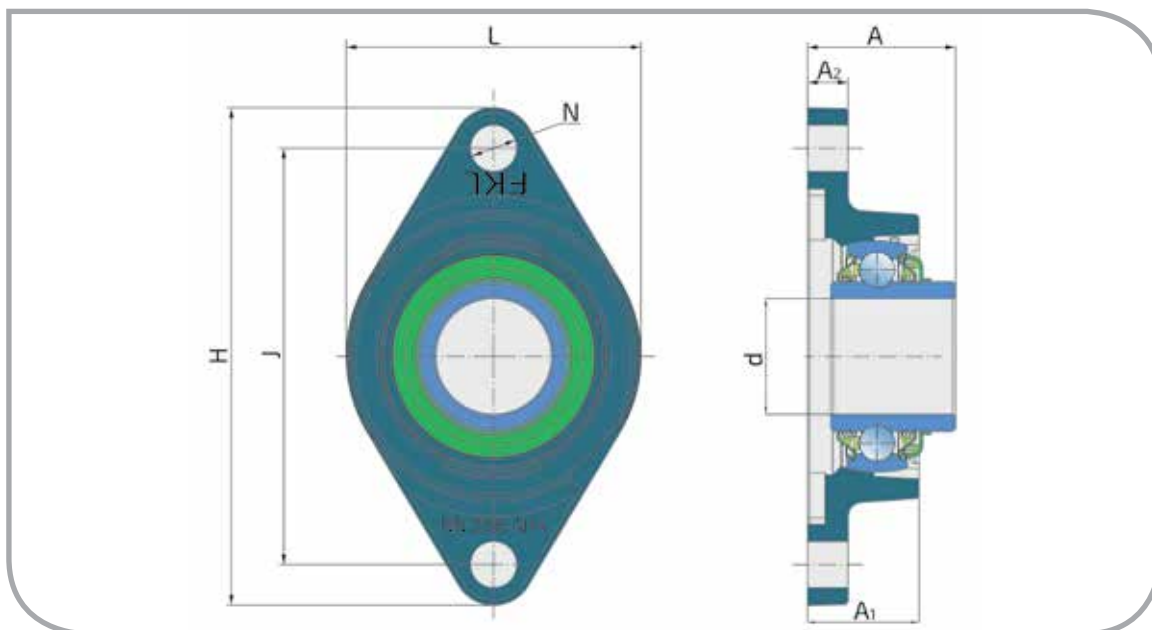
LSNN 208 TDT.H.T\*K



### COMPARATIVE DESIGNATION

#### UPOREDNE OZNAKE

FKL	LSNN 208 TDT.H.T*K
KOCKERLING	567148
SNR	GGF 40 A04+UC 208 X6



Dimensions/Osnovne mere (mm)

d	H	J	L	A	A <sub>1</sub>	A <sub>2</sub>	N	kg
40	172	144	144	51,2	38,5	14	16	1,78

Packer Roller  
Cambridge valjak

Typical Applications:  
Potencijalno mesto ugradnje i primena:



# Bearing Unit

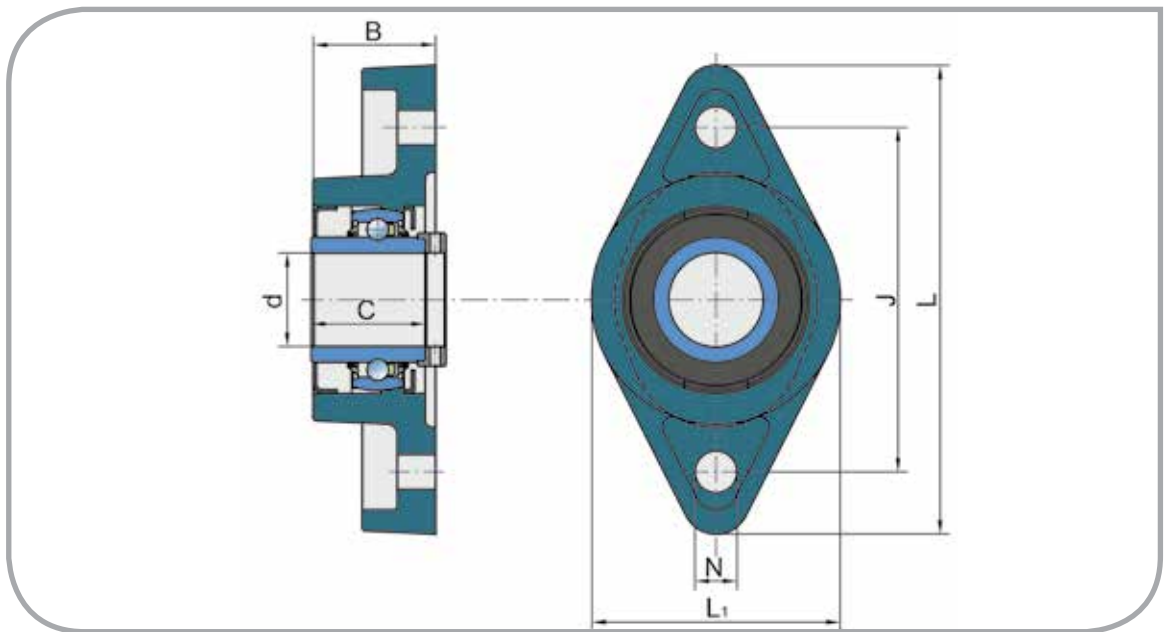
## Ležajna jedinica

### LSNR 205 2T

#### COMPARATIVE DESIGNATION

#### UPOREDNE OZNAKE

<b>FKL</b>	<b>LSNR 205 2T</b>
INA	F-233449
LEMKEN	3199367



Dimensions/Osnovne mere (mm)

d	L	L <sub>1</sub>	J	B	C	N	kg
25	135	71	99	35	34,8	11	0,91

#### Typical Applications:

Potencijalno mesto ugradnje i primena:

Packer Roller  
 Cambridge valjak

# Bearing Unit

## Ležajna jedinica

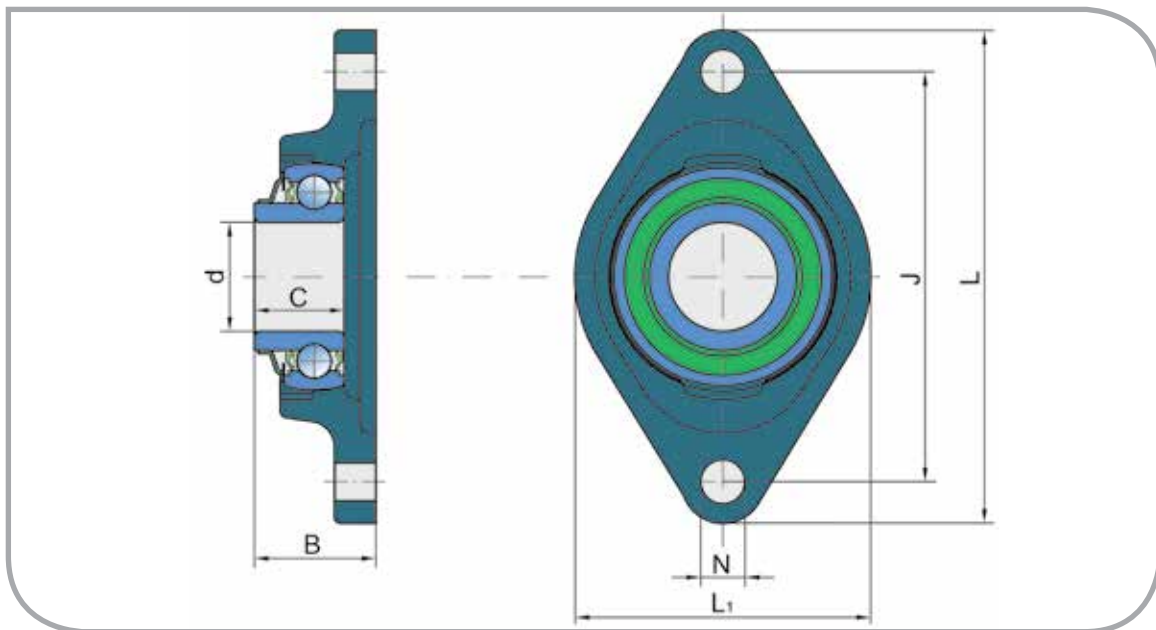


### LSNR 207 TBS



#### COMPARATIVE DESIGNATION UPOREDNE OZNAKE

FKL	LSNR 207 TBS
LEMKEN	3199352



Dimensions/Osnovne mere (mm)

d	L	L <sub>1</sub>	J	B	C	N	kg
35	155	93	130	40	28,3	14	1,05

Packer Roller  
Cambridge valjak

Typical Applications:  
Potencijalno mesto ugradnje i primena:



# Bearing Unit

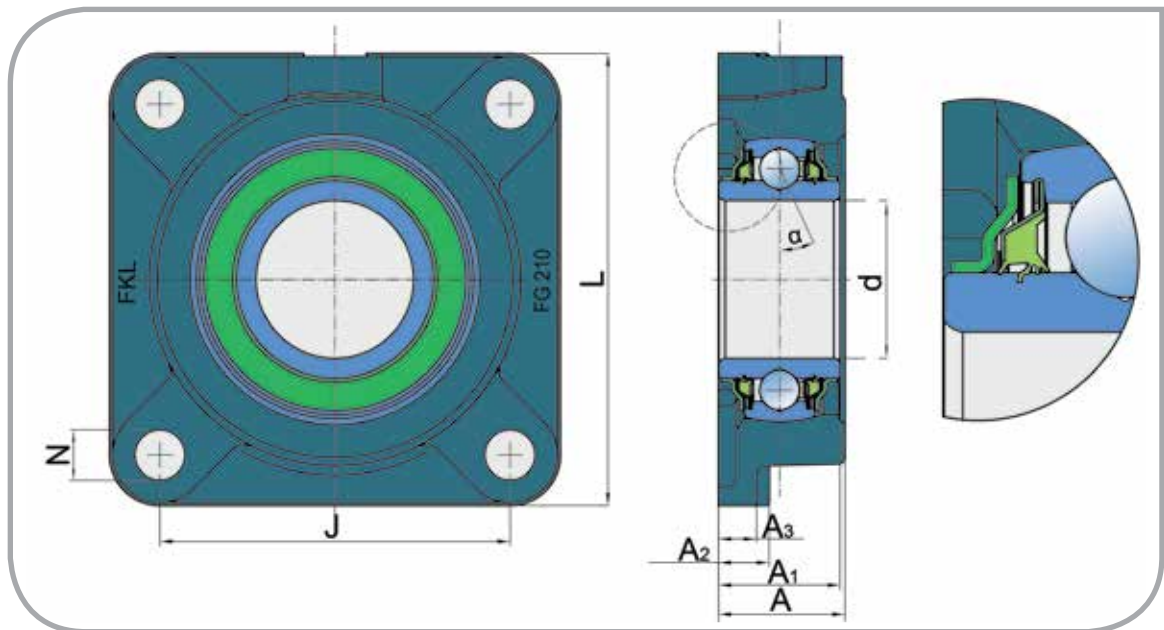
## Ležajna jedinica

### LSQFG 210 2PB.H

#### COMPARATIVE DESIGNATION

#### UPOREDNE OZNAKE

FKL	LSQFG 210 2PB.H
HORSCH	00240177 00240159 00240153
INA	TCF 50
PEER	W210-50MM-MF-R-DF-A362



Dimensions/Osnovne mere (mm)

d	A <sub>1</sub>	A <sub>2</sub>	A <sub>3</sub>	J	L	A	N	α	kg
50	38,5	16	12	111	143	40	17	25°	2,65

#### Typical Applications:

Potencijalno mesto ugradnje i primena:

Packer Roller  
Cambridge valjak

# Bearing Unit

Ležajna jedinica

LEFN 212 M 2TB

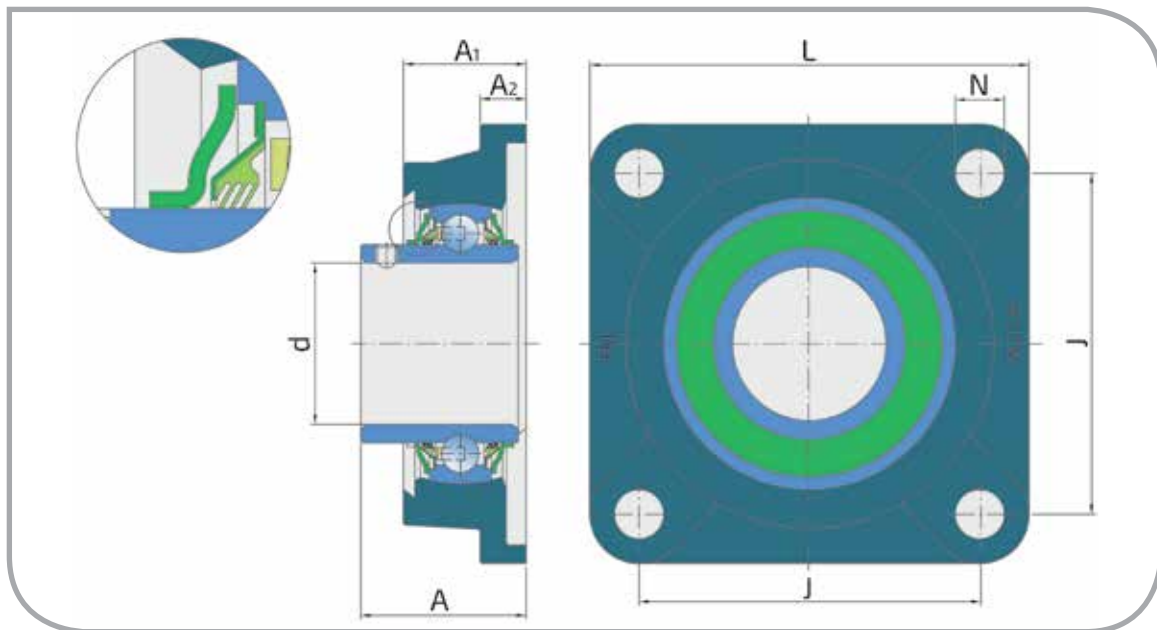
LEFN 212 M 2TB.H



## COMPARATIVE DESIGNATION

UPOREDNE OZNAKE

FKL	LEFN 212 M 2TB.H
HORSCH	00240198 00240165 00240231
INA	UCF 212 F-581539-0200+F-581539-0011
SNR	UCFE 212 G2L3 XUC 212 B133 + FE 212 GGG



Dimensions/Osnovne mere (mm)

d	A	A <sub>1</sub>	A <sub>2</sub>	J	L	N	kg
60	73,7	52	17	143	175	18	4,27

Packer Roller  
Cambridge valjak

Typical Applications:  
Potencijalno mesto ugradnje i primena:





# Ball Bearing

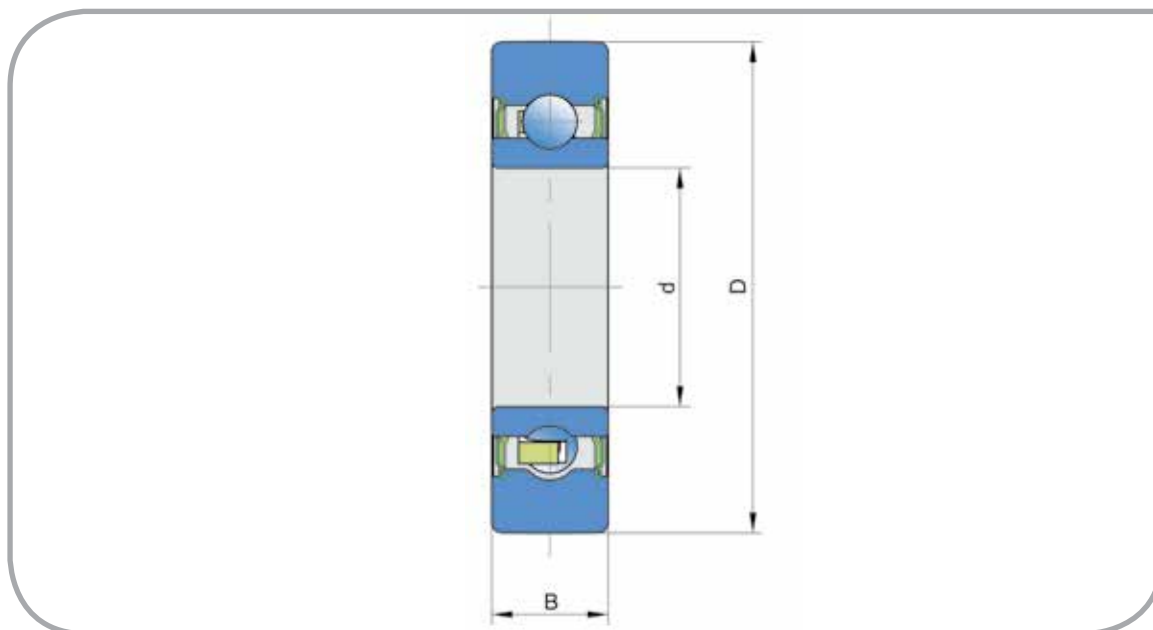
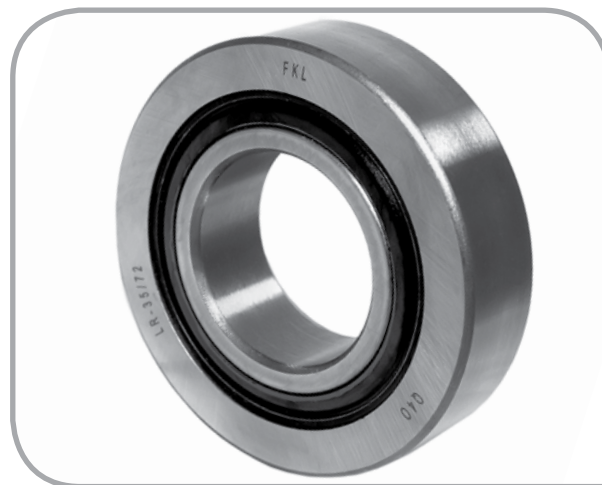
## Kuglični ležaj

### LR-35/72

#### COMPARATIVE DESIGNATION

UPOREDNE OZNAKE

<b>FKL</b>	<b>LR-35/72</b>
INA	LR 35/72 2URS
KRONE	F-552987
NEW HOLLAND	BR6090



Dimensions/Osnovne mere (mm)

d	D	B	kg
35	72	17	0,32

#### Typical Applications:

Potencijalno mesto ugradnje i primena:

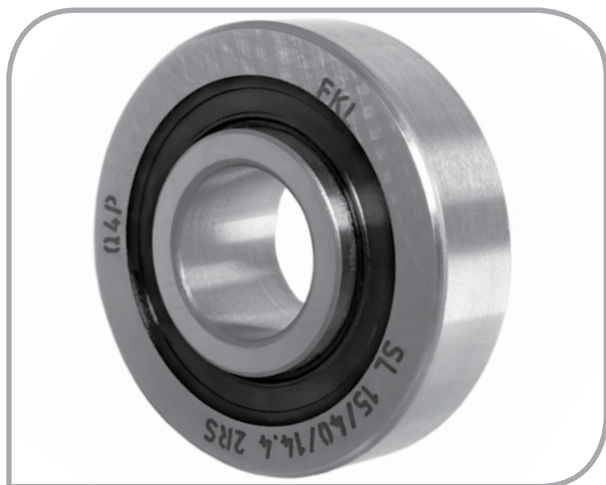
**Packer Baller**  
 Mašina za baliranje

# Ball Bearing

## Kuglični ležaj

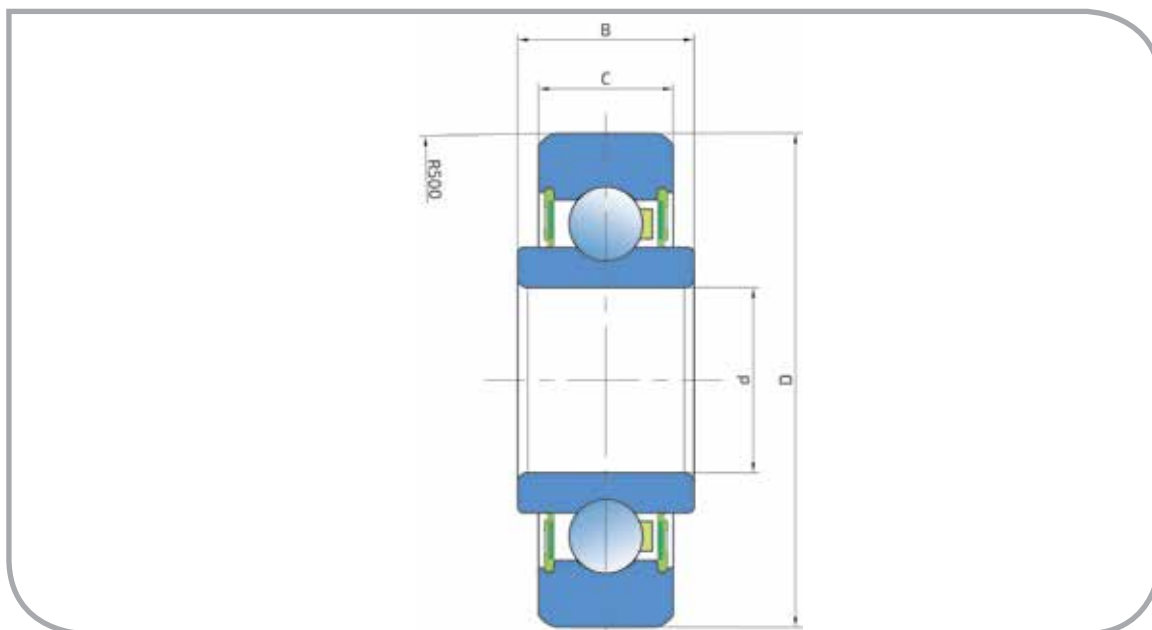


SL 15/40/14.4 2RS



### COMPARATIVE DESIGNATION UPOREDNE OZNAKE

FKL	SL 15/40/14.4 2RS
INA	LR202RRU



Dimensions/Osnovne mere (mm)

d	D	B	C	kg
15	40	14,4	11	0,08

Packer Baller  
Mašina za baliranje

Typical Applications:  
Potencijalno mesto ugradnje i primena:

Packer Baller Solutions  
Ležajevi balirke



# Ball Bearing

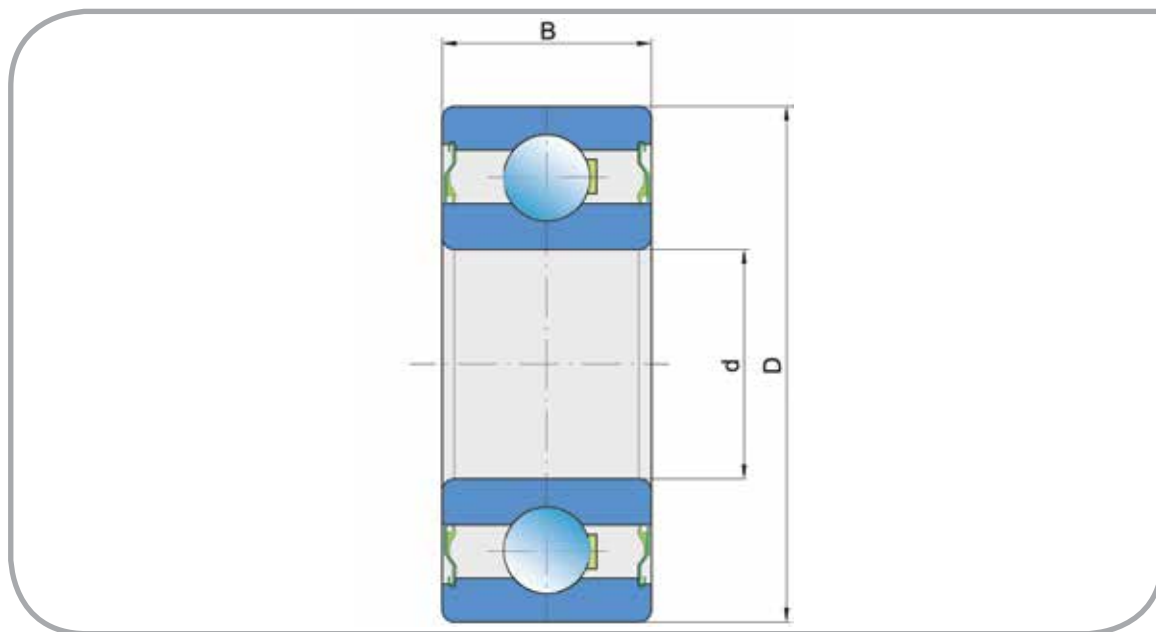
## Kuglični ležaj

### SL 40/90/36.5

#### COMPARATIVE DESIGNATION

UPOREDNE OZNAKE

FKL	SL 40/90/36.5
FAFNIR	W308PP-FS149
JOHN DEER	AP 19769
NTN	63308 2RS
TIMKEN	W308PP-FS149



Dimensions/Osnovne mere (mm)

d	D	B	kg
40	90	36,5	1,21

Typical Applications:

Potencijalno mesto ugradnje i primena:

Combine  
Kombajn

# Ball Bearing

## Kuglični ležaj



209 KRR K/50.135

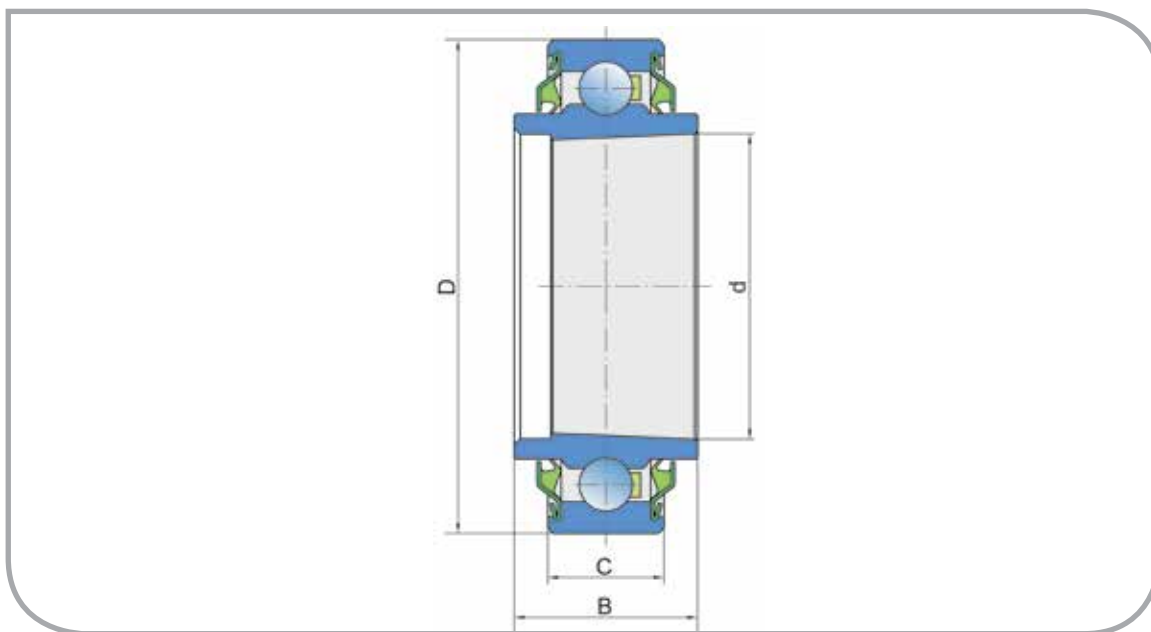


### COMPARATIVE DESIGNATION

#### UPOREDNE OZNAKE

FKL	209 KRR K/50.135
INA	209 KRR K/50.135

Combine Solutions  
Ležajevi kombajna



Dimensions/Osnovne mere (mm)

d	D	B	C	kg
50,135	81	30	18	0,42

Combine  
Kombajn

Typical Applications:  
Potencijalno mesto ugradnje i primena:



# Ball Bearing

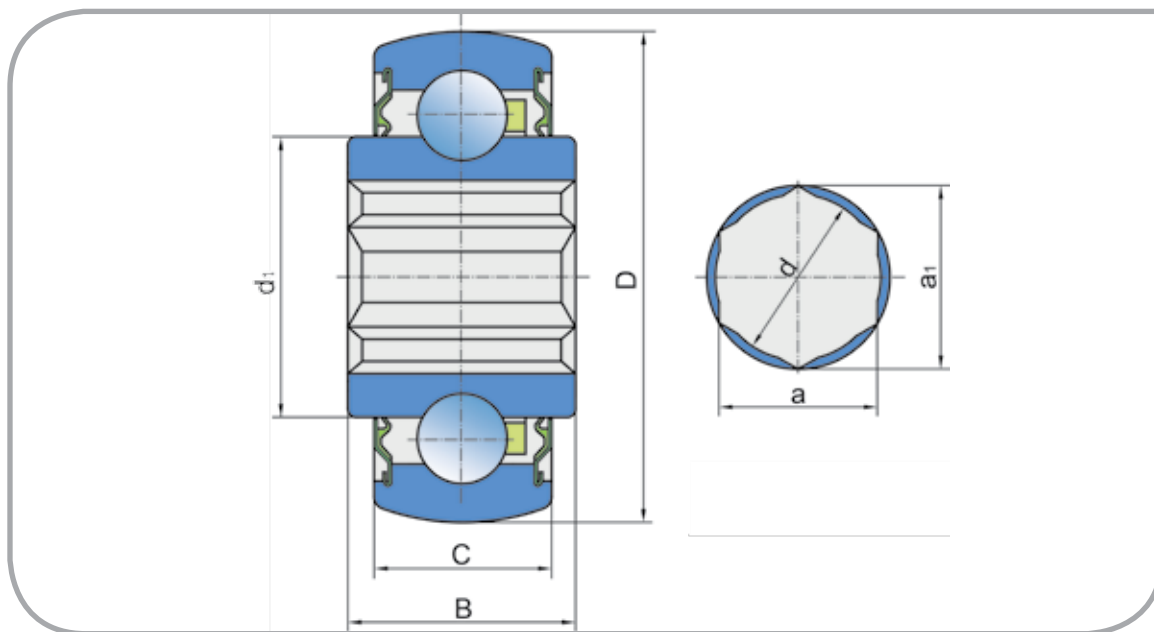
## Kuglični ležaj

207KRRB9

### COMPARATIVE DESIGNATION

*UPOREDNE OZNAKE*

FKL	207KRRB9
BCA	HPS102GP
FAFNIR	207KRRB9
INA	SK 102-207 KRR-B-AH10
JOHN DEERE	A-HPS108GPB JD9457
LINK BELT	18K207N
NEW HOLLAND	121602
NTN	2AH07-1 1/8 AH07-1.1/8D1 SBX 0787 LLSC4
TIMKEN	207KRRB9



Dimensions/Osnovne mere (mm)

a	a <sub>1</sub>	d	d <sub>1</sub>	D	B	C	kg
28,6	32,95	29,3	46,1	72	37,7	17	0,51

**Typical Applications:**
*Potencijalno mesto ugradnje i primena:*

 Combine  
 Kombajn

# Ball Bearing

## Kuglični ležaj



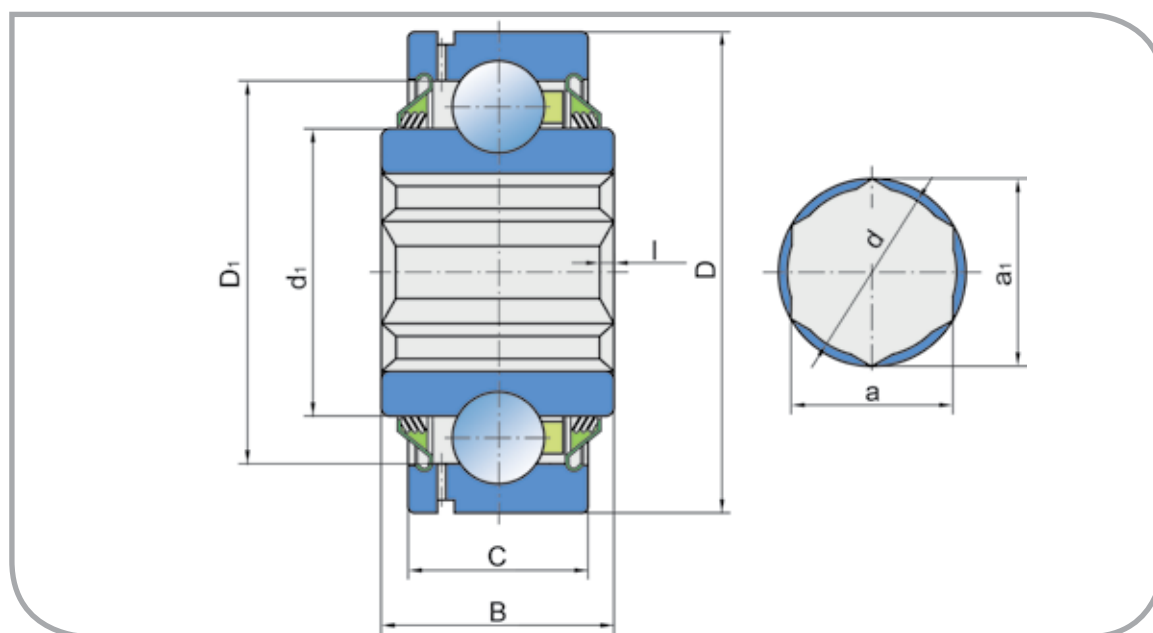
### G207 KPP3 AH16



#### COMPARATIVE DESIGNATION UPOREDNE OZNAKE

FKL	G207 KPP3 AH16
JOHN DEERE	JD10458
NTN	SBX07A02C4

Combine Solutions  
Ležajevi kombajna



Dimensions/Osnovne mere (mm)

a	a <sub>1</sub>	d	d <sub>1</sub>	D	B	C	l	kg
31,78	36,45	32,5	46,1	72	38	19	2/45°	0,65

Combine  
Kombajn

Typical Applications:  
Potencijalno mesto ugradnje i primena:





# Ball Bearing

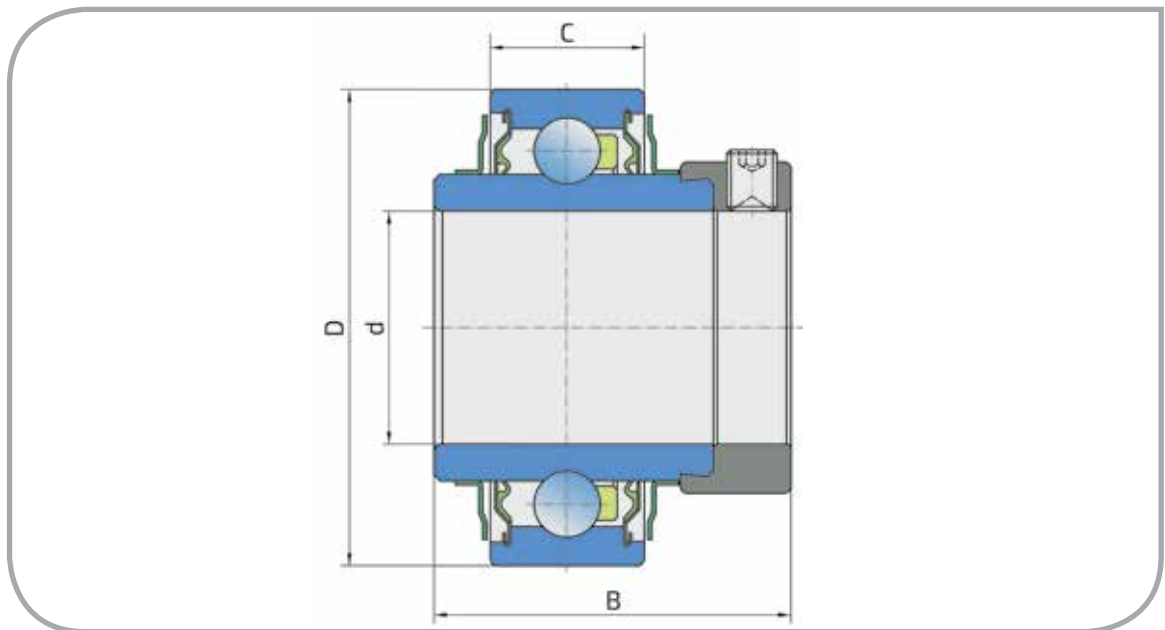
## Kuglični ležaj

### LY 208-108 2F.SH

#### COMPARATIVE DESIGNATION

UPOREDNE OZNAKE

FKL	LY 208-108 2F.SH
FAFNIR	1108KRR SM1108KTS
INA	G1108KRR-AS2/V G1108NPPB3
JOHN DEERE	AE48913 JD9466
KOYO	NA208-24FNOCL
SNR	CEX 208-24
NTN	ARL208-108D1LLSC3 SBX0889/OG-EL



Dimensions/Osnovne mere (mm)

d	D	B	C	kg
38,1	80	56,3	21	0,8

Typical Applications:

Potencijalno mesto ugradnje i primena:

Combine  
Kombajn

# Ball Bearing

## Kuglični ležaj



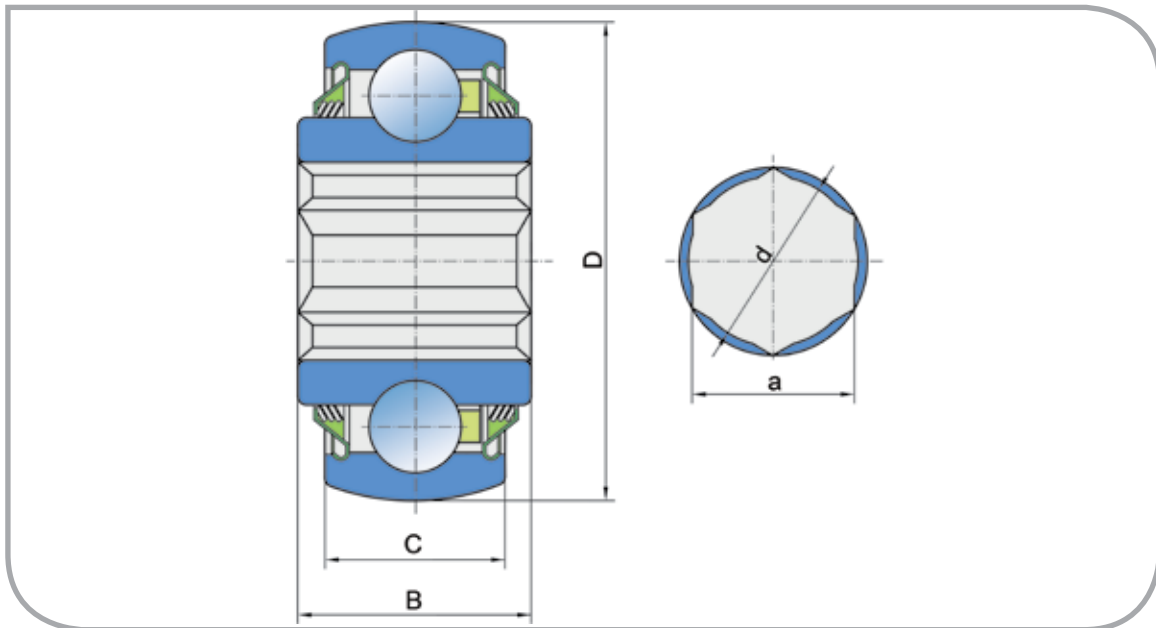
### W 208PPB16



#### COMPARATIVE DESIGNATION

#### UPOREDNE OZNAKE

FKL	W 208PPB16
CASE	700703101
FAFNIR	W 208PPB16
INA	W 208PPB16
JOHN DEERE	H114873 JD9373
MASSEY FERGUSON	1577800W1
NEW HOLLAND	86523785
NTN	2AH08-1.1/4V4
PEER	W 208PPB16



Dimensions/Osnovne mere (mm)

a	d	D	B	C	kg
31,78	32,5	80	36,5	18	0,67

Combine  
Kombajn

Typical Applications:  
Potencijalno mesto ugradnje i primena:

Combine Solutions  
Ležajevi kombajna



# Ball Bearing

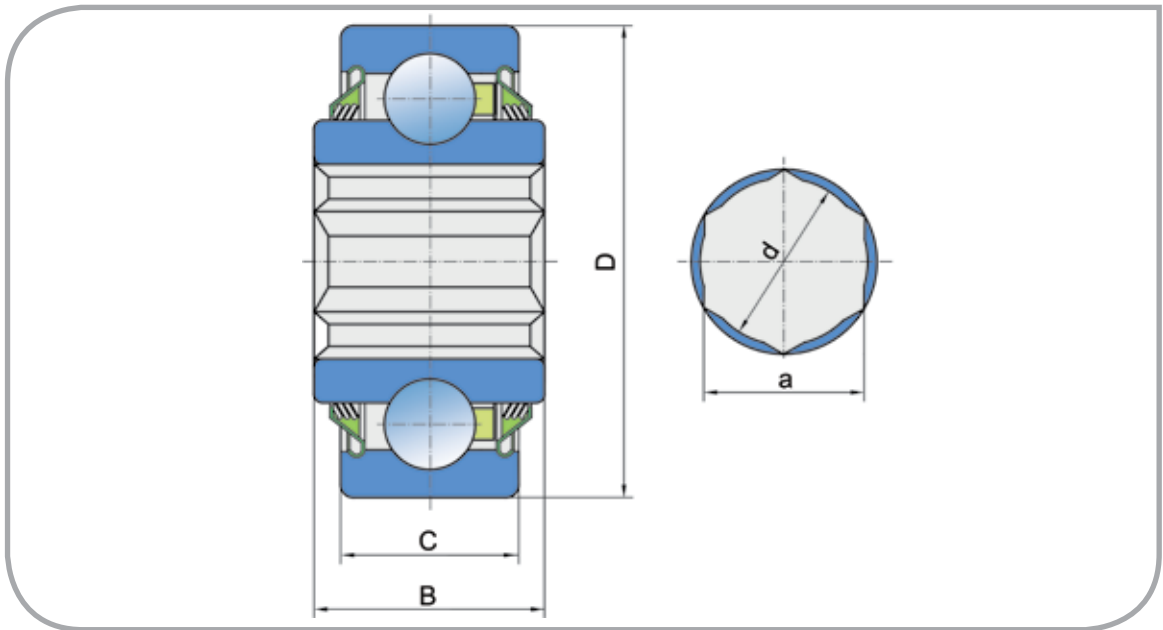
## Kuglični ležaj

### W 208PP16

#### COMPARATIVE DESIGNATION

#### UPOREDNE OZNAKE

FKL	W 208PP16
BCA	HPC104TPA
FAFNIR	W 208PP21
JOHN DEERE	AE46606
PEER	W 208PP21

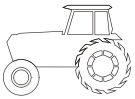


Dimensions/Osnovne mere (mm)

a	d	D	B	C	kg
31,78	32,5	80	36,5	18	0,67

Typical Applications:  
 Potencijalno mesto ugradnje i primena:

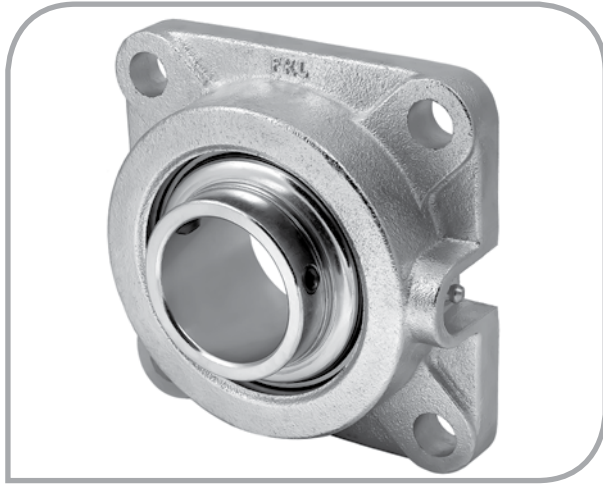
Combine  
 Kombajn



# Bearing Unit ARMOR

## Ležajna jedinica ARMOR

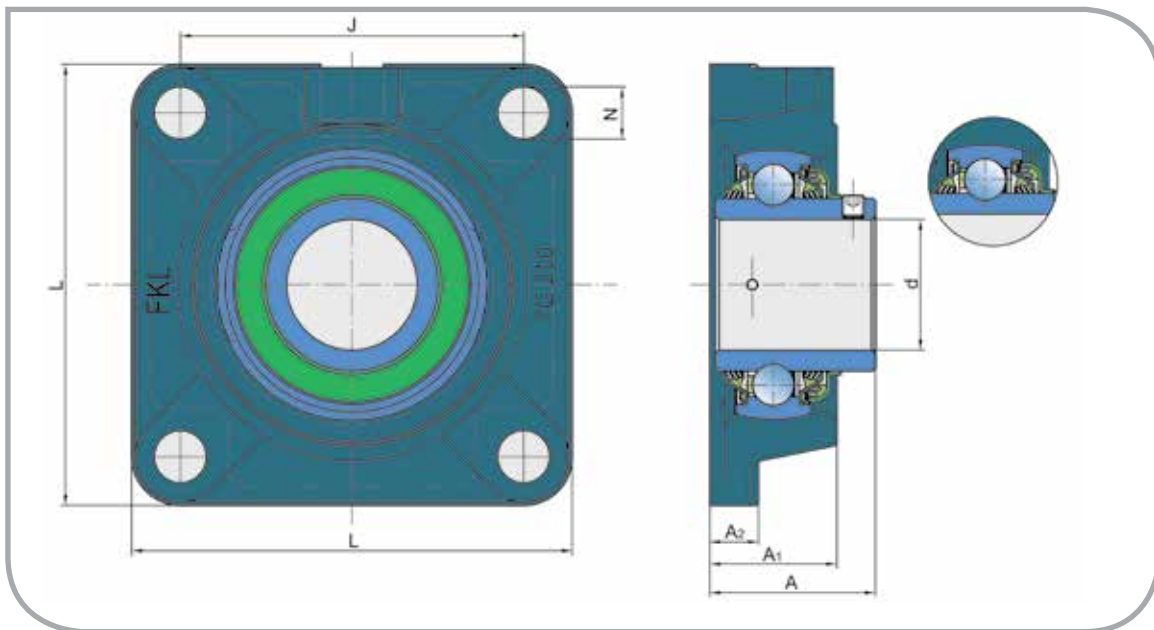
### LEFG 210 TDT



#### COMPARATIVE DESIGNATION UPOREDNE OZNAKE

FKL LEFG 210 TDT

PEER XD-UCF210-50MM-XB-AP-TLSLU117



#### Dimensions/Osnovne mere (mm)

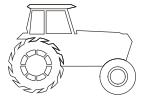
Designation/Oznaka	d	A <sub>1</sub>	A <sub>2</sub>	J	L	N	A	Mass/Masa kg
LEFG 206 TDT	30	31	13	83	108	16	40,2	1,20
LEFG 207 TDT	35	34	13	92	118	14	44,4	1,45
LEFG 208 TDT	40	36	14	102	130	16	51,2	1,95
LEFG 209 TDT	45	38	16	105	137	16	52,2	2,41
LEFG 210 TDT	<b>50</b>	<b>40</b>	<b>16</b>	<b>111</b>	<b>143</b>	<b>16</b>	<b>54,6</b>	<b>2,78</b>
LEFG 212 TDT	60	48	19	143	175	19	68,5	4,64
LEFG 214 TDT	70	50,3	21,3	152	193	19	70,7	6,20

#### Specificity/Specifičnosti

Housing material: ductile iron/Materijal kućišta: nodularni liv

Sealing: double triple lip/Zaptivanje: dupla trouzna zaptivka

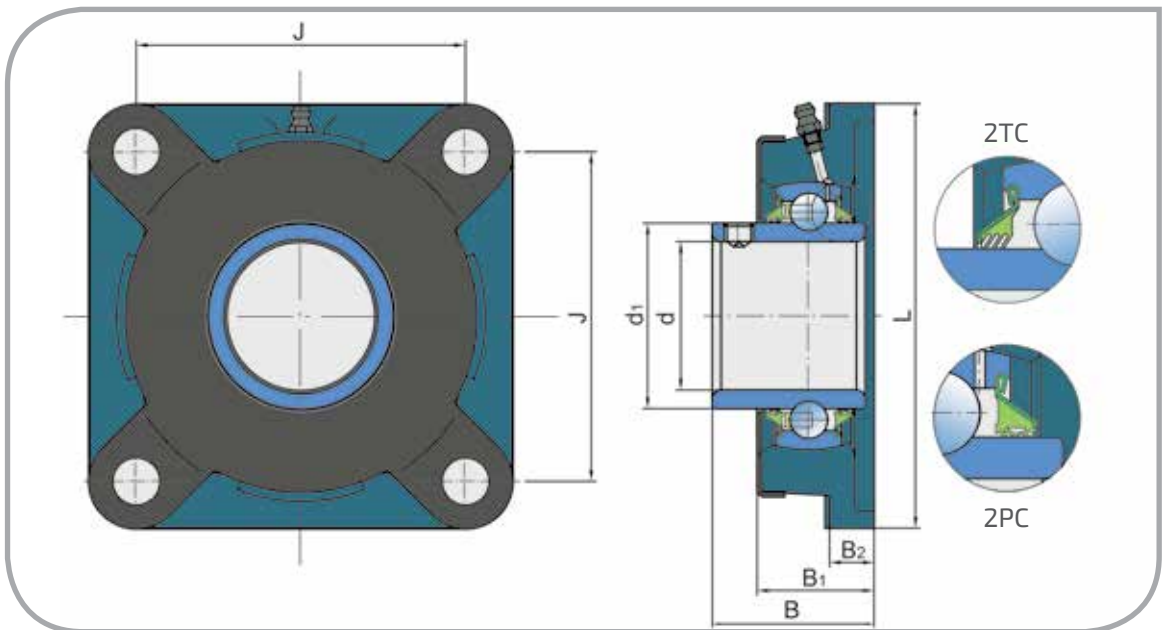
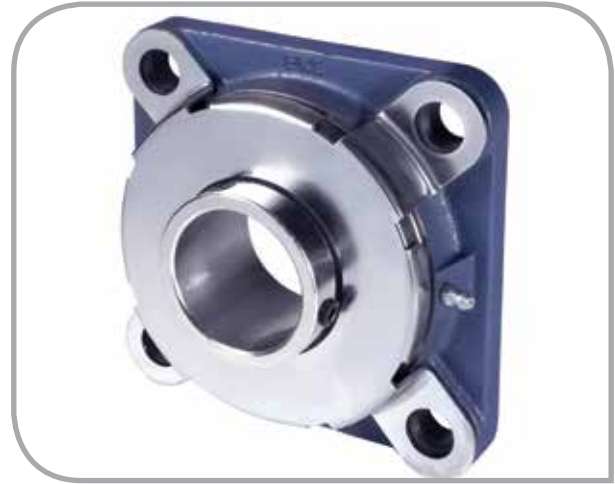
Typical Applications:  
Potencijalno mesto ugradnje i primena:



# Bearing Unit with Metal Sheet Cover

## Ležajna jedinica sa metalnim poklopcem

LEFN 210 2PC



Dimensions/Osnovne mere (mm)

Designation/Oznaka	d	d <sub>1</sub>	L	J	N	B	B <sub>1</sub>	B <sub>2</sub>	kg
LEFN 208 2TC.H	40	51,8	130	102	16	51,2	36	14	2,8
LEFN 210 2PC	50	62,5	143	111	16	54,6	38	15	2,8
LEFN 210 2PC.H	50	62,5	143	111	16	54,6	38	15	2,8

### Typical Applications:

Potencijalno mesto ugradnje i primena:

### Specificity/Specifičnosti

Five-lip sealing/Petousna zaptivka

Three-lip sealing/Trousna zaptivka

Housing material: ductile iron/Materijal kućišta: nodularni liv

Protective metal cap/Zaštitna metalna kapa

Maintenance free (H)/Bez podmazivanja (H)



# Customer Tailored Solutions in Agriculture

*Poljoprivredni program prema zahtevu kupca*





# FKL Distributors/*FKL Distributeri*

## **AC AGROCENTAR DOO**

Slovenia, Šempeter v Savinjski Dolini  
Tel: +386 3 703 40 10  
[www.agrocenter-sempeter.eu](http://www.agrocenter-sempeter.eu)

## **AGRIPARTNER**

France, Beaumont  
Tel: +33 05 49 85 50 22  
[www.agripartner.fr](http://www.agripartner.fr)

## **AS MODUATOR**

Estonia, Põltsamaa  
Tel: + 372 776 86 53  
[www.moduator.ee](http://www.moduator.ee)

## **AUCKLAND BEARING DISTRIBUTORS LTD**

New Zealand, Auckland  
Tel: +64 9 444 65 66  
[www.aucklandbearings.co.nz](http://www.aucklandbearings.co.nz)

## **BEARING WAREHOUSE LTD**

UK/Ireland, Sheffield  
Tel: +44 1142 310 310  
[www.bearingwarehouse.co.uk](http://www.bearingwarehouse.co.uk)

## **CELSAN ITALIA S.R.L.**

Italy, Argelato  
Tel: +39 51 66 30 741  
[www.celsan.com](http://www.celsan.com)

## **COMPENSA**

Austria, Wien  
Tel: +43 1 982 14 39 23  
[www.compensa.at](http://www.compensa.at)

## **EKOAL**

Bulgaria, Razgrad  
Tel: +359 84 66 08 71  
[www.ekoalbg.com](http://www.ekoalbg.com)

## **EL MASRIA FOR TRADING**

Egypt/Saudi Arabia, Alexandria  
Tel: +20 100 747 37 93  
[www.elmasriatrading.com](http://www.elmasriatrading.com)

## **GORIMPEX**

Montenegro, Podgorica  
Tel: +382 20 27 03 72  
[gorimpex@t-com.me](mailto:gorimpex@t-com.me)

## **FKL RUS LLC**

Russia, Voronezh  
Tel: +7 473 274 71 50  
[www.rusfkl.ru](http://www.rusfkl.ru)

## **FKL BY**

Belorussia, Minsk  
Tel: +375 17 212 18 39  
[www.fkl.by](http://www.fkl.by)

## **FKL CZECH S.R.O.**

Czech Republic/Slovakia, Kroměříž  
Tel: +420 573 33 68 60  
[www.fkl-czech.cz](http://www.fkl-czech.cz)

## **FKL HUNGARY KFT**

Hungary, Debrecen  
Tel: +36 52 47 03 66  
[www.fklhungary.hu](http://www.fklhungary.hu)

## **FKL IBERICA Bearings S.L.**

Spain/Portugal, Lugo  
Tel: +34 982 20 90 33  
[www.fkl-iberica.com](http://www.fkl-iberica.com)

## **FKL PARS**

Iran, Tehran  
Tel: +98 21 77 50 64 61  
[fkl.pars@gmail.com](mailto:fkl.pars@gmail.com)

## **FKL POLSKA SP.Z.O.O.SP.K.**

Poland/Baltic States, Kuślin  
Tel: + 48 605 48 68 78  
[www.fkl-polska.pl](http://www.fkl-polska.pl)

## **FKL ROMANIA SRL**

Romania/Moldova, Bragadiru  
Tel: +40 374 64 02 27  
[www.fklromania.ro](http://www.fklromania.ro)

## **FKL UKRAINE LTD**

Ukraine, Lutsk  
Tel: +38 332 77 43 99  
[www.fkl.ua](http://www.fkl.ua)

## **HAGOP GIRAGOS**

Syria, Lattakia  
Tel: +963 41 43 31 08  
[giragos@scs-net.org](mailto:giragos@scs-net.org)

# Providing the Best Solutions

## HARALD LEITZ INDUSTRIEBEDARF

Germany, Heckelberg-Brunow  
Tel: +49 33451 555 05  
www.lietz-industriebedarf.de

## LAUDORTS LTD

Latvia, Riga  
Tel: +371 20 52 15 59  
www.laudorts.lv

## NOVOTECHNO

Slovakia, Nové Zámky  
Tel: +421 35 77 05 605  
www.novotechno.sk

## PO BEARINGS

Slovakia, Prešov  
Tel: +421 51 74 95 113  
www.loziska-bearings.sk

## PORIN LAAKERI OY

Finland, Pori  
Tel: +358 2 631 95 00  
www.nomogroup.fi

## ROLLER J KOUKORINIS J LIAKOPOULOS EE

Greece, Larissa  
Tel: +30 2410 28 91 39  
www.roller.com.gr

## SE-KRA DOO

Croatia, Sesevski Kraljevec  
Tel: +385 01 204 80 23  
www.se-kra.hr

## SISA OTOMOTIV DIS TICARET LTD

Turkey/Iraq, Izmir  
Tel: +90 232 375 22 81  
sisa.dis.tic@superonline.com

## SRL ROMANCIUC ROMA SI CO

Moldova, Sîngerei  
Tel: +373 69 16 83 82  
romanciuci@mail.ru

## TEMKO DOO

North Macedonia, Skoplje  
Tel: +389 23 66 068  
goran.temko@gmail.com

## TOO BIZON GROUP

Kazakhstan, Akkol  
Tel: +771 63 85 01 40  
www.fkl.kz

## TIVI GROUP LTD

Bulgaria, Dimitrovgrad  
Tel: +359 391 61 561  
www.tivigroup.com

## UAB IGNERA

Lithuania, Kaunas  
Tel: +370 37 35 35 15  
www.ignera.lt

## VSC UNITECH SRL

Moldova, Chişinău  
Tel: +373 69 10 16 79  
vsc.unitech@gmail.com

## VULIN DOO

Bosnia and Herzegovina, Bijeljina  
Tel: +387 55 49 03 40  
vulindoo@yahoo.com

## Domestic Distributors

### *Domaći distributeri*

## AGROMARKET DOO

Serbia, Veternik  
Tel: +381 21 82 34 24  
www.agromarket021.com

## JUSEL DOO

Serbia, Šabac  
Tel: +381 15 30 00 00  
www.jusel.com

## LAGERTON DOO

Serbia, Niš  
Tel: +381 18 57 63 62  
www.lagerton.com

## NEPTUN DOO

Serbia, Temerin  
Tel: +381 21 84 62 55  
www.neptundoo.rs

## SET TRADE N&N DOO

Serbia, Zrenjanin  
Tel: +381 23 52 34 00  
settradenn@gmail.com

## TENEJ DOO

Serbia, Beograd  
Tel: +381 11 74 65 655  
www.tenej.com

